

EXPTWB

EXPTC + EXPTS



EXPTD + EXPTS



- Absence of external wiring in rotation
- Explosion-proof certified
- Indoor and outdoor installations
- Baked-on enamel RAL7032 colour
- Wide range of accessories
- Weatherproof standard IP65

The EXPT system includes a housing with the same characteristics of the EXH and a Pan & Tilt, designed for movement both in horizontal and vertical planes. The peculiar characteristic of the EXPT device is the absence of external wiring in rotation, either for the control of the Pan & Tilt or for the camera and lens. This solution makes the installation and the maintenance of the Pan & Tilt easy. The EXPT includes one multiconductors cable that comes out from the base of the Pan & Tilt through a cable-gland. The EXPT is supplied with preset and housing heater. The EXPT can be equipped with sunshield, autopan, reinforced housing heater and motors heater, and patented glass protection device (model EXPTD).

The glass protection device consists of a connection flange with the housing, a closing flange and an explosion-proof central body containing a rugged and transparent glass, a continuous current motor powered in 24V AC, two windings and a transparent Mylar film, installed just in front of the glass. The motor drives the winding for recovering the dirty Mylar film, while at the same time the other winding installed on the opposite side releases the clean film. The transparent Mylar film allows about 350 shifting steps. When the film is dirty, the operator will activate the motor shifting the film to obtain

a clean camera picture. The end of the Mylar film will be indicated to the operator through marks printed on the last 50cm of the film.

The pan & tilt units EXPT, supplied with integrated camera housing, are made with strong Anticorodal aluminium die-cast alloy of EN-AB 42000-GAS7 group and their chemical composition is defined in the CEI EN 50014 standard. Depending on the model, all external components are stove enamelled using powder or treated with special coatings such as PPA571 and EUROKOTE 711.92 offering an excellent resistance to UV rays, salt-spray, environment polluting substances (mod. 035R, mod.033R). They are constructed according to the 94/9/CE ATEX standard and IEC 60079-0:2000, IEC 60079-0:2001, IEC 61241-1:2004 protocols.

EXPTWB • Bracket for EXPT, constructed in solid, anticorodal aluminium alloy, color RAL7032. It is particularly suitable for external applications. It can support a maximum non-static weight of 100kg.

TECHNICAL DATA

EXPTC-EXPTD

Model	Housing heater 24V AC	Pre-wired multipolar cable	Preset	Autopan	Glass protection device	Reinforced heater and P&T heater 24V AC	Max consumption
EXPTC000	•	•	•				145W
EXPTC010	•	•	•	•			145W
EXPTC033R		•	•	•		•	145W
EXPTD001	•	•	•		•		145W
EXPTD011	•	•	•	•	•		145W
EXPD035R		•	•	•	•	•	145W

GENERAL

Non-corrosive die-cast aluminium (anticorrosive)
 Bicomponent polyurethane enamel with orange peel effect, RAL7032
 Special painting for low temperature, blue colour (EXPTC033R, EXPTD035R, EXPTWB00R). Resistant to stress cracking, adverse weather conditions, detergents, salt-spray and typical airborne pollutants
 Supplied with instruction manual and conformity declaration

MECHANICAL

0-360° horizontal movement
 Horizontal speed: 6°/s
 Horizontal Torque: 2.5kgm
 +/-90° vertical movement
 Vertical speed: 2.4°/s
 Vertical torque: 6kgm
 Horizontal limit switch adjustable only for the Autopan function
 1 cable gland 3/4" GAS for armoured cable at the base of the P&T
 One multiconductors armoured cable normally supplied 7.5m [24ft] length: 25 poles 0.5mm, 4 poles 1mm, 2 RG174 of 75W

External dimensions

EXPTC	427.5x571.4x560mm [16.8x322.5x22in]
EXPTD	573.5x581x580mm [22.6x22.9x22.8in]

Internal dimensions

EXPTC	Ø 180x380mm [7x14.9in]
EXPTD	Ø 180x460mm [7x18.1in]

Internal usable area

EXPTC	100x100x280mm [3.9x3.9x11in]
EXPTD	100x100x360mm [3.9x3.9x14in]

Window

EXPTC	Ø 114mm [4.5in]
EXPTD	70x56mm [2.7x2.2in]

Glass protection device

Glass protection device: Ø 250x140mm [9.8x5.5in]
 Mylar film 80mm [3.1in] wide and 18m [59ft] length, 350 shifting steps, marks printed on the last 50cm [19in]

Wall Bracket

Load rating: 100kg [220lb]
 Length: 676mm [26.6in]

ELECTRICAL

Power supply IN 24V AC, 50/60Hz
 Horizontal and vertical motor consumption: 50W max
 Standard vertical and horizontal preset potentiometers
Heater Ton 10°C +/-4°C(50°F+/-7°F) Toff 25°C +/-3°C(77°F+/-5°F)
 - IN 24V AC, consumption 20W

Reinforced heater Ton 10°C +/-4°C(50°F+/-7°F) Toff 25°C +/-3°C(77°F+/-5°F)

3 resistors in the housing
 2 resistors in the P&T (one for each motor)
 Consumption 100W max

Glass protection device

- 24V AC, consumption 2W max

Devices to install inside the housing

Camera equipped with lens with max total power of 20W
 Power supply max 24V AC

ACCESSORIES

EXPTS000	Sunshield 650mm [25.6in] for EXPTC000
EXPTS001	Sunshield 760mm [29.9in] for EXPTD001

RELATED PRODUCTS

EXPTWB000	Bracket for EXPTC and EXPTD
EXPTWB00R	Bracket for EXPTC and EXPTD with special painting
EXDTRX3	Telemetry receiver 17 functions, 230V AC
EXDTRX324	Telemetry receiver 17 functions, 24V AC

ENVIRONMENT

Indoor / Outdoor
 Operating temperature with heater: -20°C / +50°C [-4°F / +122°F]
 Operating temperature with reinforced heater: -40°C / +50°C [-40°F / +122°F]

COMPLIANCE TO

IECEx (TUV Nord Certification), protocols IEC 60079-0:2000, IEC 60079-1:2001, IEC 61241-1:2004

Ex d: explosion-proof housing for potentially explosive environments
 IIC: gases group
 T6: device class temperature
 Ex tD A21: dust ignition protection, zones type 21-22
 IP65: enclosure weatherproof standard
 T 85°C: max superficial temperature

ATEX (TUV Nord Certification), directive 94/9/CE

Group: II (surface device, no mining)

Category: 2 (elevated protection degree, the devices of this category can be installed in zone 1 and 21 and in zone 2 and 22)

Atmosphere type: GD (gases and dusts)

EEx d: explosion-proof housing for potentially explosive environments

IIC: gases group

T6-T85°C: temperature classification for gases and dusts respectively

IP65: enclosure weatherproof standard

EXPTC000 - EXPTC010 - EXPTC033R - EXPTD001 - EXPTD011 - EXPTD035R

Ex d IIC T6 Ex tD A21 IP65 T85°C IECEx

Ⓔ II 2 GD EExd IIC T6 T85°C IP65 ATEX

Ⓒ 0044: notify number from competent body

UL certification pending

GHOST-R certification pending

SPARE PARTS LIST

OEXMYLAR	Mylar film replacement kit, 18m (59ft) 350 steps
OEXVET	Front flange complete with glass for EXPTC000
OEXDPV	Front flange complete with glass protection device for EXPTD001
OSLIEX	Internal slide complete with heater for integrated housing EXPTC
OSLIEXD	Internal slide complete with heater for integrated housing EXPTD

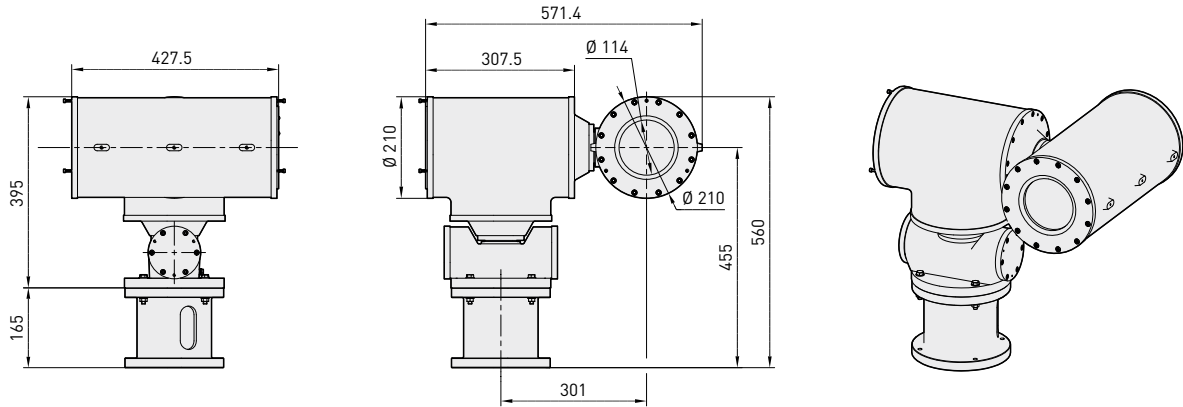
	Unit Weight:	Package Weight:	Package Dimensions (BxHxL):	Master Carton:
	EXPTC 56.5kg / 124.5lb	EXPTC 61.2kg / 134.9lb	EXPTC 76x 41x67cm / 29.9x16.1x26.4in	EXPTC -
	EXPTD 62kg / 136.9lb	EXPTD 66kg / 145.5lb	EXPTD 76x 41x67cm / 29.9x16.1x26.4in	EXPTD -
	EXPTWB 11kg / 24.2lb	EXPTWB 11kg / 24.3lb	EXPTWB -	EXPTWB -

EXPTC-EXPTD

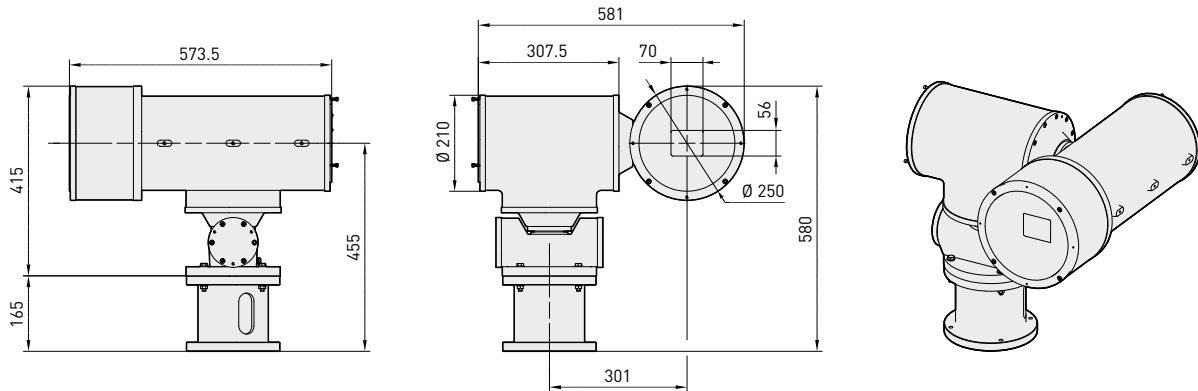
INTEGRATED PAN & TILT WITH CAMERA HOUSING



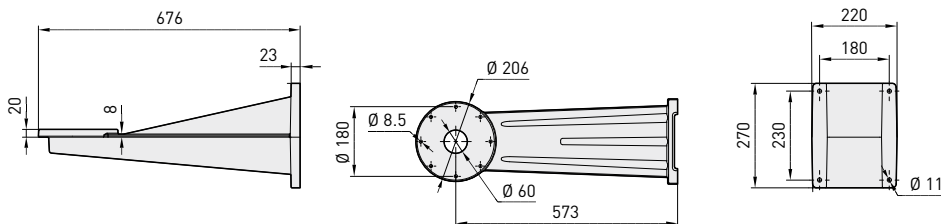
EXPTC



EXPTD



EXPTWB



The values are in millimeters.