

EXH EXPLOSION-PROOF HOUSING

MAIN FEATURES

- Solid anticorodal aluminium construction
- Epoxy polyester powder painting, RAL7032
- IP66
- 2 holes for cable glands 3/4" NPT
- Version with device for the protection of the glass installed on the front of the housing (EXHD)
- Version available with reinforced heater 24Vac and special painting RAL7001 for temperature application down to -40°C (-40°F) (mod.EXHC003R)
- Supplied with heater. Sunshield as option.

DESCRIPTION

The EXH housings are made with strong Anticorodal aluminium die-cast alloy of AISi Mg EN AB- 42000 group.

Depending on the model, all external components are stove enameled using powder or with special coatings offering an excellent resistance to UV rays, salt-spray, environment polluting substances (mod. 003R).

EXHC

The cylindrical body of EXHC housing (diameter 210mm and length 400mm) is closed on the opposite sides by two 12mm thick flanges. The housing is supplied with two holes for the 3/4" NPT cable glands. The camera housing is equipped with heater and optional sunshield.

EXHD

Explosion-proof housing with the same specifications as the EXHC series but fitted with a patented device for the protection of the glass which gives clear vision in dirty environments.

The glass protection device consists of a connection flange with the housing, a closing flange and an explosion-proof central body containing a rugged and transparent glass, a motor powered in 24Vac, two windings and a transparent Mylar film, installed just in front of the glass. The motor drives, through four pinions with gear rim, the winding for recovering the dirty Mylar film, while at the same time the other winding installed on the opposite side releases the clean film.

NOTE: the control unit of the glass protection device is not supplied with the product.

The transparent Mylar film, 80mm wide and 18m long, allows 350 steps. When the film is dirty, the operator will activate the motor shifting the film to obtain a clean camera picture (the step for allowing the complete shift of the dirty film is about 50mm). The end of the Mylar film will be indicated to the operator through marks printed on the last 50cm of the film.



EXHC + EXHS



EXHD + EXHS



EXHC003R + EXWBJ00R

AVAILABLE MODELS

Model Number	Housing heater 24Vac	Housing heater 230Vac	Reinforced heater 24Vac	Glass protection device	Max consumption
EXHC000	✓	–	–	–	20W
EXHC200	–	✓	–	–	20W
EXHC003R	–	–	✓	–	60W
EXHD001	✓	–	–	✓	22W



TECHNICAL DATA**GENERAL**

Non-corrosive die-cast aluminium (anticorrosive)

Bicomponent polyurethane enamel with orange peel effect, RAL7032

Special painting for low temperature, blue colour RAL7001 (EXHC003R, EXWBJ00R, EXBJ00R). Resistant to stress cracking, adverse weather conditions, detergents, salt-spray and typical airborne pollutants

MECHANICAL

2 holes for cable glands 3/4" NPT

External dimensions:

- EXHC Ø 210mmx427.5mm (8.2x16.8in)
- EXHD Ø 250x573.5mm (9.8x22.6in)

Internal dimensions:

- EXHC Ø 180x380mm (7x14.9in)
- EXHD Ø 180x460mm (7x18.1in)

Internal usable area:

- EXHC 100x100x280mm (3.9x3.9x11in)
- EXHD 100x100x280mm (3.9x3.9x11in)

Glass window:

- EXHC Ø 114mm (4.5in)
- EXHD 70x56mm (2.7x2.2in)

Unit weight:

- EXHC 15kg / 33lb
- EXHD 24kg / 52.9lb

Glass protection device:

- Glass protection device: Ø 250x140mm (9.8x5.5in)
- Mylar film 80mm (3.1in) wide and 18m (59ft) length, 350 shifting steps, marks printed on the last 50cm (19in)

ELECTRICAL

Heating: Ton 10°C±4°C (50°F±7°F), Toff 25°C±3°C (77°F±5°F)

- IN 24Vac, Power consumption 20W max
- IN 230Vac, consumption 20W max (only for EXHC200)

Reinforced heater: Ton 10°C±4°C (50°F±7°F), Toff 25°C±3°C (77°F±5°F)

- IN 24Vac, consumption 20W max
- 3 resistors in the housing, consumption 60W max

Glass protection device:

- 24Vac/dc, Power consumption 2W max

Devices to install inside the housing

- Camera equipped with lens with max total power of 20W
- Power supply max 24Vac or 230Vac
- Useful volume for camera / lens: 2800cm³
- Minimum distance between the walls of the housing and the camera/lens: 12mm

ENVIRONMENT

Indoor/Outdoor

Operating temperature with heating: -20°C / +50°C (-4°F / +122°F)

Operating temperature with reinforced heater: -40°C / +50°C (-40°F/+122°F)

Always refer to the temperature in the marking.

CERTIFICATIONS

ATEX (EN 60079-0: 2009, EN 60079-1: 2007, EN 60079-31: 2009)

- II 2G Ex d IIC T6 Gb
- II 2D Ex t IIIC T85 °C Db IP66

CE 0044: notify number from competent body

IECEX (IEC 60079-0: 2007, IEC 60079-1: 2007, IEC 60079-31: 2008)

- Ex d IIC T6 Gb
- Ex t IIIC T85 °C Db IP66

GOST-R

- 1 Ex d IIC T6 Gb
- Ex tb IIIC T85 °C Db IP66

CNEX

- Ex d IIC T6 Gb
- DIP A21 TA T6
- Tamb: -20+50°C
- Tamb: -40+50°C (when equipped with reinforced heater)

ACCESSORIES

EXHS000	Sunshield 650mm for EXH series
EXHS001	Sunshield 760mm for EXHD

BRACKETS AND ADAPTORS

EXWBJ000	Bracket and ball joint RAL7032 for EXH series
EXWBJ00R	Bracket and ball joint for EXH RAL7001
EXBJ000	Only ball joint for EXH RAL7032 housings
EXBJ00R	Only ball joint for EXH RAL7001 housings

SPARE PARTS

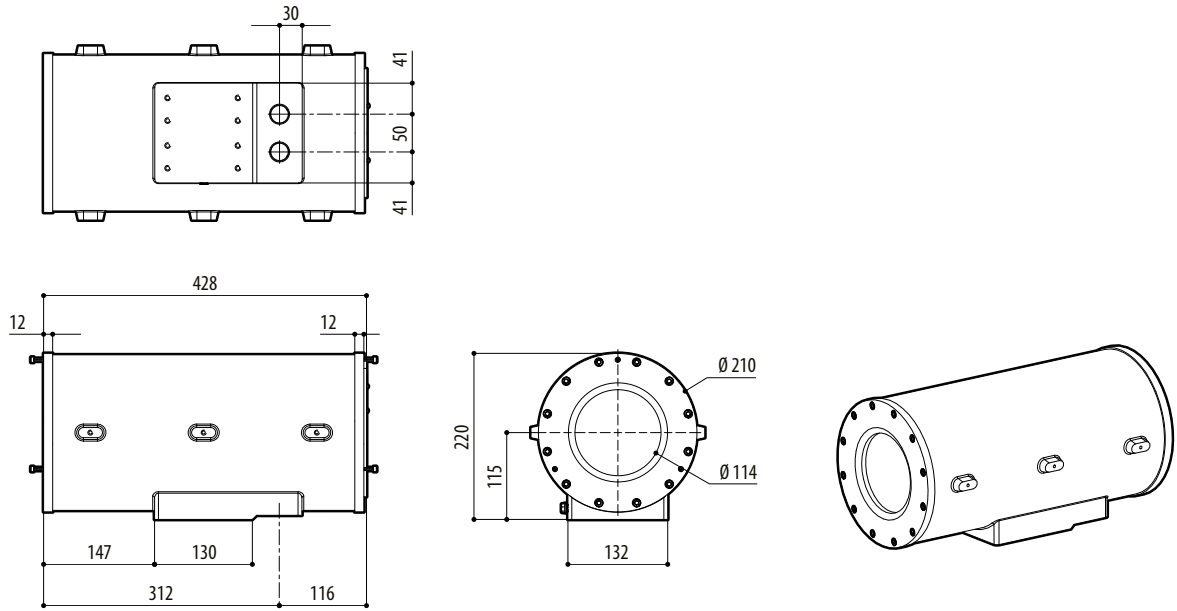
OCTEX3/4C	Cable gland with gasket EX 3/4" NPT, unarmoured cable IECEX-ATEX-GOST
OCTEXA3/4C	Cable gland with gasket EX 3/4" NPT, armoured cable IECEX-ATEX-GOST
OCTEXB3/4C	Barrier cable gland 3/4" NPT, unarmoured cable IECEX-ATEX-GOST
OCTEXBA3/4C	Barrier cable gland 3/4" NPT, armoured cable IECEX-ATEX-GOST
OCTEX3/4	Cable gland with gasket EX 3/4" NPT, unarmoured cable ATEX
OCTEXA3/4	Cable gland with gasket EX 3/4" NPT, armoured cable ATEX
OEXPLUG3/5	Plug EX 3/4" NPT IECEX, ATEX, GOST
OEXMYLAR	Mylar film replacement kit, 18m (59ft), 350 steps
OEXVET	Complete front flange with glass for EXHC and EXPTEC series, RAL7032
OEXDPV	Complete front flange with glass protection device for EXHD and EXPTD series, RAL7032
OSLIEX	Internal slide complete with heater for EXHC and EXPTEC series
OSLIEDX	Internal slide complete with heater for EXHD and EXPTD series

PACKAGE

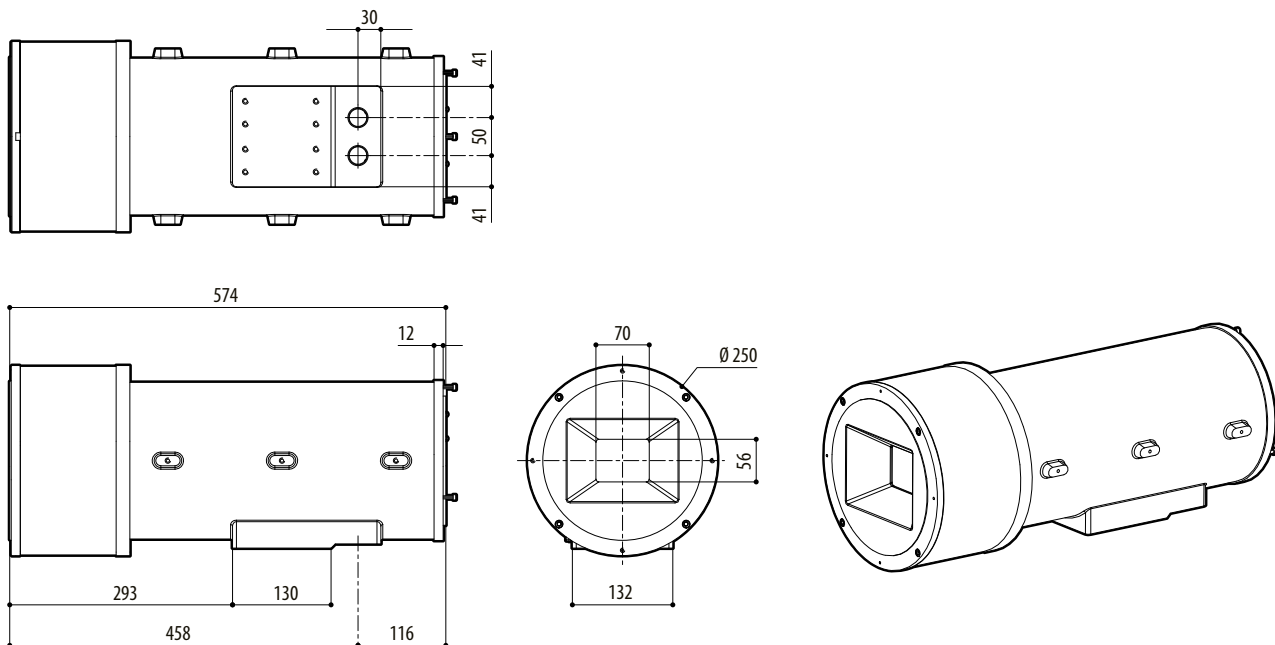
Model Number	Weight	Dimensions (WxHxL)	Master carton
EXHC000 (24x12.6x12.2in)	17.5kg (38.6lb) -		61x32x31cm
EXHD001	26.5kg (58lb)	43x67x67cm (17x26.3x26.3in)	-

3/4" NPT CABLE GLAND SELECTION LAYOUT

Zone, Gas	Cable gland type	Certification	Operating temperature	Cable	Cable glands part code	Diameter of the external cable (mm)	Under armor cable diameter (mm)
IIC, Zone 1 or Zone 2 IIB or IIA, Zone 1	Barrier	IECEX/ATEX/GOST	-60 / +80°C (-76°F / +176°F)	Not armored	OCTEXB3/4C	13 - 20.2	
				Armored	OCTEXBA3/4C	16.9 - 26	
IIB or IIA, Zone 2	With gasket	IECEX/ATEX/GOST	-60 / +100°C (-76°F / +212°F)	Not armored	OCTEX3/4C	13 - 20.2	
				Armored	OCTEXA3/4C	16.9 - 26	11.1 - 19.7
		ATEX	-20 / +80°C (-4°F / +176°F)	Not armored	OCTEX3/4	14 - 17	
				Armored	OCTEXA3/4	18 - 23	14 - 17



EXHC



EXHD

