

- Camera bracket with joint included
- Indoor installation (only DBH45 outdoor)
- Optional P&T motor (DBH45/DSBH45)
- Optional heater kit (DBH45/DSBH45)

DSBH24



DSBH45



DBH45 + DBH04



Sphere and half-sphere domes consisting of an upper part made of black aluminium and a lower spherical part in semi-transparent black plexiglass. This system allows only one diaphragm of luminosity to be lost by the camera and at the same time masks it. The dome easily blends in with existing outdoor lighting, allowing a discreet surveillance of the area, particularly if it is combined with an infrared light system.

DBH45 • Full sphere weatherproof dome for installations with wall, ceiling or pole mounting. Its internal dimensions make it suitable for a wide range of cameras and lenses. It is normally supplied with camera bracket and joint; as an option, it is possible to mount the

camera power supply, the heater kit and one of the Pan & Tilt motors from the IPTS series.

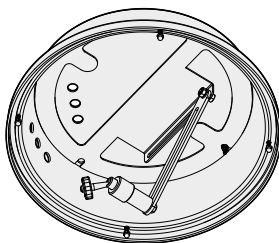
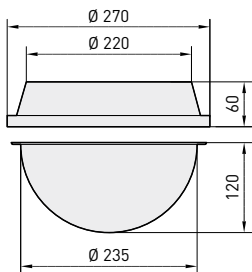
DSBH45 • Half-sphere dome. Same features and options as the full-sphere model. It does not need any bracket: it can be directly attached to the ceiling or the false ceiling.

DSBH24 • Ceiling half-sphere dustproof dome. Its internal dimensions make it suitable for CCD cameras. The half-sphere dome does not need any bracket: it can be directly attached to the ceiling or the false ceiling. It is supplied with camera bracket and joint.

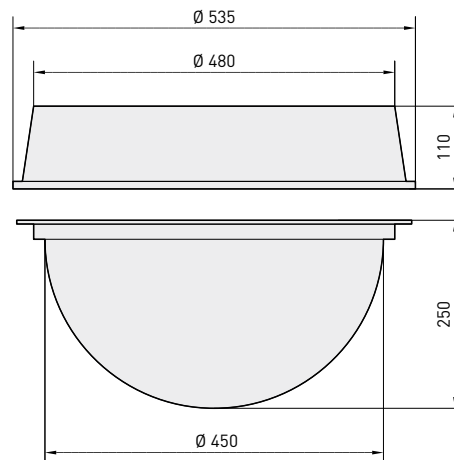
9

9
DOME ENCLOSURES

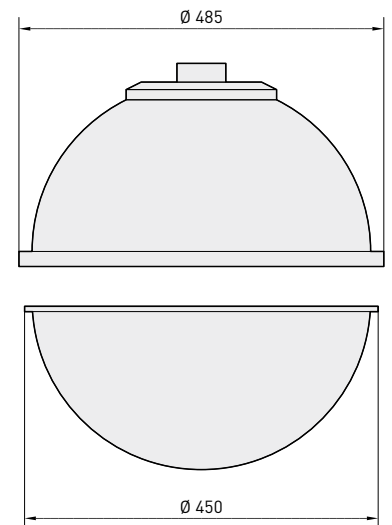
DSBH24



DSBH45



DBH45



The values are in millimeters.

TECHNICAL DATA

DBH-DSBH

DOME ENCLOSURES

DBH45	Full sphere dome (Ø 450mm/17.7in)
DSBH45	Half sphere-dome (Ø 450mm/17.7in)
DSBH24	Half sphere-dome (Ø 240mm/9.4 in)
DSBH24TR	Half sphere-dome with transparent plex (Ø 240mm/9.4in)

GENERAL

Upper part of full sphere and half-sphere made of black aluminium;
 Half-sphere in semi-transparent black PMMA

MECHANICAL

External dimensions

DBH45	Ø 485mm (19in)
DSBH45	Ø 535x360mm (21x14.2in)
DSBH24	270x180mm (10.6x7in)

ELECTRICAL

Fan assisted heater, Ton 15°C +/-3°C (+59°F +/-5°F) Toff 22°C +/-3°C (+71°F +/-5°F)

- IN 12V DC, consumption 24W max
- IN 24V AC, consumption 24W max
- IN 230V AC, consumption 44W max

Fixed camera power supply

- IN 230V AC- OUT 12V DC, 50Hz, 400mA max
- IN 230V AC - OUT 24V AC, 50Hz, 400mA max

ACCESSORIES

OBH45H3	Fan assistant heater 12V DC
OBH45H2	Fan assistant heater 24V AC
OBH45H1	Fan assistant heater 230V AC
OBH45PS1	Power supply IN 230V AC - OUT 12V DC
OBH45PS2	Power supply IN 230V AC - OUT 24V AC

RELATED PRODUCTS

IPTS720F	P&T 230V AC black
IPTS721F	P&T 24V AC black
DBH04	Wall mount
DBH03	Ceiling mount

ENVIRONMENT


Indoor
 Indoor / Outdoor (DBH45)

COMPLIANCE TO

CE according to EN 61000-6-3, EN 60065, EN 50130-4
 IP65 EN 60529

SPARE PARTS LIST

OBH45PLEXTS	Transparent plex for DBH45 and DSBH45
OBH45PLEX	Fumè plex for DBH45 and DSBH45
OSBH24PLEXTS	Transparent plex for DSBH24
OSBH24PLEX	Fumè plex DSBH24

	Unit Weight:	Package Weight:	Package Dimensions (BxHxL):	Master Carton:
	DBH45 3.5kg / 7.7lb	DBH45 6.4kg / 14.1lb	DBH45 54x54x39cm / 21x21x15.3in	DBH45 -
	DSBH45 3.5kg / 7.7lb	DSBH45 6.4kg / 14.1lb	DSBH45 54x54x39cm / 21x21x15.3in	DSBH45 -
	DSBH24 1kg / 2.2lb	DSBH24 1.6kg / 3.5lb	DSBH24 31x23.5x31cm / 12.2x9.2x12.2in	DSBH24 4 units