



DBH24K0F022+DBH05

- Indoor/Outdoor installation
- Internal support for camera or adjustment for speed dome and network cameras
- Protection rating IP65
- Fan-assisted heater



DBH24K0F028+0DBH24H100+DBH04

Small diameter spherical housing for indoor and outdoor installations. Made of plastic, its special design allows it to be camouflaged to look like a normal lighting system, thus allowing discreet surveillance of the area. The lower semisphere is in semitransparent black PMMA and allows the loss of only one diaphragm of luminosity towards the camera. Easy to install, this model can house 1/2", 1/3" and 1/4" cameras equipped with fixed focus or small zooms and some types of high speed dome and network cameras. The housing and its accessories allow it to be attached to the ceiling or to a wall, allowing an internal protected passage of the cables. It is supplied in a standard model with support for camera, adapter for speed dome or network cameras including sunshield and fan-assisted heating. A version with the lower semisphere in clear PMMA is also available.

8

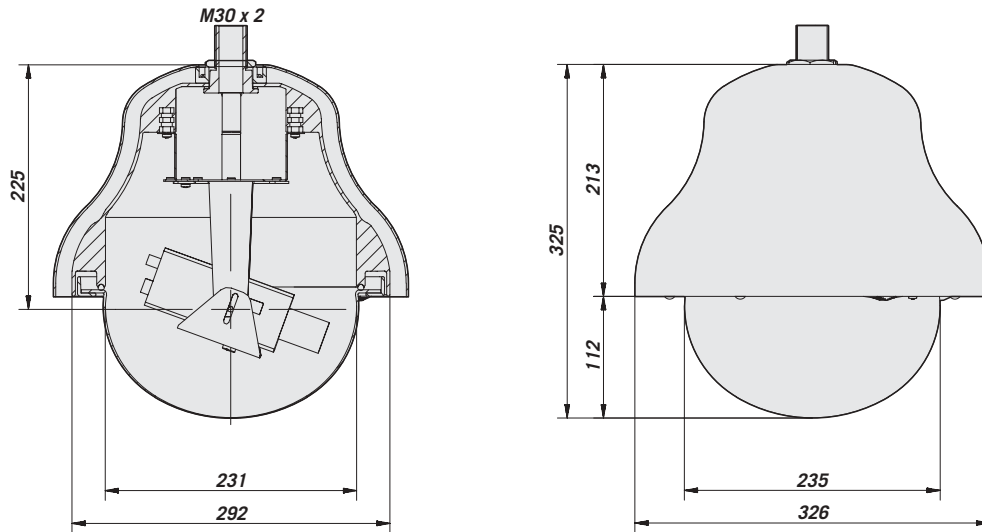


DOME
ENCLOSURES

MODELS

	Smoked bubble	Transparent bubble	Sunshield	Heater 230VAC	Heater 24VAC	Heater 12VDC	Heater 230VAC + Speed dome power supply	
DBH24K0F022+ODBH24H000	•		•					FIXED CAMERA
DBH24K0F022+ODBH24H100	•		•	•				
DBH24K0F022+ODBH24H200	•		•		•			
DBH24K0F022+ODBH24H300	•		•			•		
DBH24K0F028+ODBH24H000		•	•					
DBH24K0F028+ODBH24H100		•	•	•				
DBH24K0F028+ODBH24H200		•	•		•			
DBH24K0F028+ODBH24H300		•	•			•		
DBH24K0F022+ODBH24H121	•		•	•				PANASONIC VW-BS300, W-CS400, VW-CS600, VW-CS650 VW-CS850
DBH24K0F022+ODBH24H221	•		•		•			
DBH24K0F028+ODBH24H121		•	•	•				
DBH24K0F028+ODBH24H221		•	•		•			
DBH24K0F022+ODBH24H223	•		•		•			JVC TK-C676
DBH24K0F022+ODBH24PS23	•		•				•	
DBH24K0F028+ODBH24H223		•	•		•			
DBH24K0F028+ODBH24PS23		•	•				•	
DBH24K0F022+ODBH24H132	•		•	•				SAMSUNG TECHWIN SPD-1600P
DBH24K0F022+ODBH24H232	•		•		•			
DBH24K0F028+ODBH24H132		•	•	•				
DBH24K0F028+ODBH24H232		•	•		•			
DBH24K0F022+ODBH24H136	•		•	•				SAMSUNG ELECTRONICS SCC-643P
DBH24K0F022+ODBH24H236	•		•		•			
DBH24K0F028+ODBH24H136		•	•	•				
DBH24K0F028+ODBH24H236		•	•		•			

MODELS								
	Smoked bubble	Transparent bubble	Sunshield	Heater 230VAC	Heater 24VAC	Heater 12VDC	Heater 230VAC + Speed dome power supply	
DBH24K0F022+ODBH24H221	•		•		•			SENSORMATIC DELTA DOME II
DBH24K0F028+ODBH24H221		•	•		•			
DBH24K0F022+ODBH24H138	•		•	•				JVC V NET V NETWORKS
DBH24K0F022+ODBH24H238	•		•		•			
DBH24K0F028+ODBH24H138		•	•	•				
DBH24K0F028+ODBH24H238		•	•		•			
DBH24K0F022+ODBH24H141	•		•	•				SANYO VCC-9300P, VCC-9400P GANZ ZC-S122P, ZC-S123P
DBH24K0F022+ODBH24H241	•		•		•			
DBH24K0F028+ODBH24H141		•	•	•				
DBH24K0F028+ODBH24H241		•	•		•			
DBH24K0F022+ODBH24H142	•		•	•				SONY SNC-RZ30P, EVI-D70P/W
DBH24K0F022+ODBH24H242	•		•		•			
DBH24K0F028+ODBH24H142		•	•	•				
DBH24K0F028+ODBH24H242		•	•		•			
DBH24K0F022+ODBH24H144	•		•	•				AXIS 2130R, 213
DBH24K0F028+ODBH24H144		•	•	•				
DBH24K0F022+ODBH24H244	•		•		•			
DBH24K0F028+ODBH24H244		•	•		•			



The values are in millimeters.

TECHNICAL DATA

GENERAL

- Built in plastic material. Black colour (Nylon with mineral additives)
- Lower semisphere in PMMA. Colour: semitransparent black or transparent
- Sunshield in ABS material colour RAL9002

MECHANICAL

- External Dimensions: with sunshield \varnothing 326x325 mm (12.83x12.79 in)

ELECTRICAL

Fan-assisted heater, Ton 15°C +/- 3°C (59°F) Toff 22°C +/- 3°C (71°F):

ODBH24H100 IN 230VDC, consumption 44W (also for versions mounted on speed domes/network cameras adapters)

ODBH24H200 IN 24VDC, consumption 24W (also for versions mounted on speed domes/network cameras adapters)

ODBH24H300 IN 12VDC, consumption 24W (also for versions mounted on speed domes/network cameras adapters)

Fixed camera power supply:

OBH24PS1 IN 230VDC, 50Hz - OUT 12VDC, 400mA max

OBH24PS2 IN 230VDC, 50Hz - OUT 24VAC, 400mA max

Speed dome JVC TK-C675E, TK-C675BE power supply:

ODBH24PS23 IN 230VAC, 50/60Hz consumption 40W - OUT 12VDC, 50mA max, 24VAC, 1,6A

RELATED PRODUCTS

Brackets:

DBH03 Ceiling mount for DBH45 and DBH24

DBH04 DBH24 wall mount

DBH05 Parapet mount for DBH24

DPTCH Pole adaptor for DBH01 and DBH04

DCWGH Corner adaptor for DBH01 and DBH04

ENVIRONMENT

- Indoor/outdoor
- Operating temperature (DBH24 with heater):
-20°C up to + 50°C (-4°F up to 122°F)
- Operating temperature (DBH24 with 2130 Axis Network camera):
-20°C up to + 30°C (-4°F up to 86°F)

COMPLIANCE TO

- CE according to EN 61000-6-3, EN 60065, EN 50130-4
- IP65 EN 60529

SPARE PARTS LIST

OBH24PLEX Smoked bubble DBH24

OBH24PLEXTS Transparent bubble DBH24



Unit Weight (kg / lb):
DBH24K: 2,45 / 5.4

Package Weight (kg / lb):
DBH24K: 3,85 / 8.4

Package Dimensions (cm / in):
DBH24K: 38,5x38,5x47 / 15.1x15.1x18.5

Master Carton (units):
DBH24K: