

AVTPSC

COMPACT VANDAL RESISTANT CEILING HOUSING

REVISION 1027



MAIN FEATURES

Indoor installation

Construction from steel sheet

High impact resistance

Key lock

DESCRIPTION

The AVTPSC housings have been designed for surveillance applications in places highly exposed to vandalism (underground parking lots, subway stations, prisons, police stations, corridors, supermarkets, etc).

The AVTPSC is constructed from 1.5mm thick sheet steel and painted with epoxy polyester powder.

The housing is equipped with an internal bracket for the camera attachment and adjustment.

The compass opening allows easy installation and maintenance.

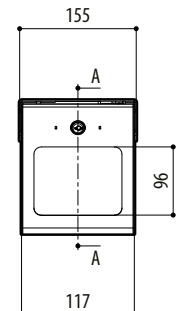
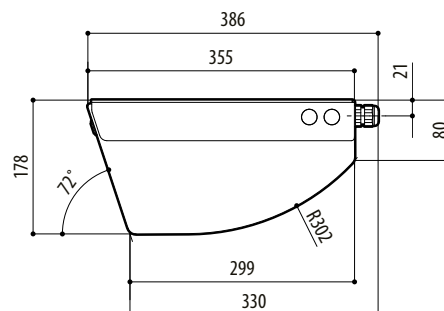
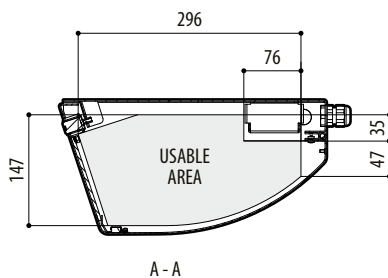
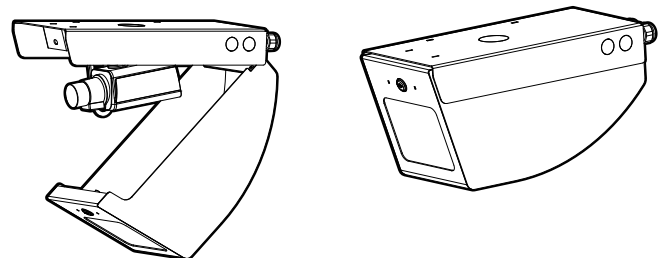
A 4mm thick PMMA glass is fixed on the front.

The cable outlet is made possible from the fixing base, from both sides left or right and from the 2 cable glands on the rear.

AVTPSC can be equipped with heater and camera power supply.



AVTPSC



AVTPSC

mm 1:10

AVTPSC

AVAILABLE MODELS

AVTPSC0A000B	Vandal resistant wedge housing with common lock and key
--------------	---

TECHNICAL DATA

GENERAL

Built in sheet steel 1.5mm thick (0.06in)
 Epoxypolyester powder painting, RAL9002 colour
 Compass opening

MECHANICAL

External dimensions (WxHxL): 354x178x155mm (14x7x6.1in)
 Common key locked
 Cable outlet through fixing side, on both sides (right and left) or 2 M20 cable glands
 Window dimensions: 117x96mm (4.6x3.8in)
 PMMA glass 6mm (0.2in) thick

ELECTRICAL

Heater Ton 15°C±3°C (59°F±5°F) Toff 22°C±3°C (71°F±5°F)

- IN 12Vdc/24Vac, consumption 20W max
- IN 115/230Vac, consumption 40W max

Camera power supply

- IN 100-240Vac - OUT 12Vdc, 50/60Hz, 1A
- IN 230Vac - OUT 24Vac, 50/60Hz, 400mA

ENVIRONMENT

Indoor
 Operating temperature with heater: -20°C / +60°C (-4°F / +140°F)

CERTIFICATIONS

CE EN61000-6-3, EN60065, EN50130-4
 Impact resistance IK08 EN62262

ACCESSORIES

OHEH24B	Heater 115/230Vac
OHEH25B	Heater 12Vdc/24Vac
OHEPS22	Wide range power supply IN 100-240Vac - OUT 12Vdc, 1A
OHEPS23	Power supply IN 230Vac - OUT 24Vac, 400mA

SPARE PARTS

OVET2TPSCB	Spare PMMA glass
OSER3	Universal spare key/lock

PACKAGE

Code	Unit weight		Package weight		Package dimensions (WxHxL)		Master carton
	kg	lb	kg	lb	cm	in	unit
AVTPSC	3.5	7.7	3.9	8.6	18.0x20.5x37.5	7.1x8.1x14.1	6