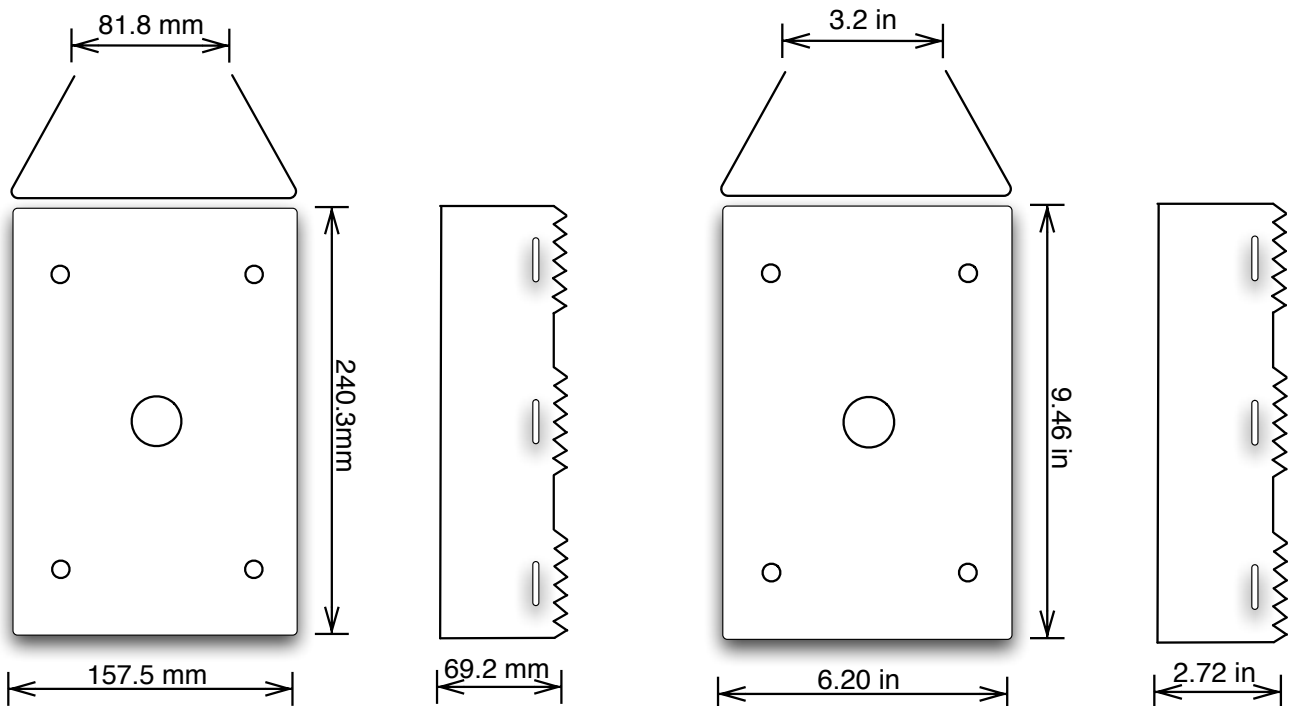




VIQ-DPPM1

Pole Mount Bracket Adapter

| | | |
|---------------------------|------------------------|-------------------------------|
| Material | Steel | |
| Color / Finish | Grey/beige powder coat | Approximates to Pantone 7527C |
| Weight | 1.3 kg | 2.9 lbs |
| Hardware: | Stainless | |
| Min Pole Diameter: | 100mm | 4 in. |



Dimensions

Note: Included hose clamps have a max diameter of 6.75" / 171mm. Bracket is suitable for use on larger diameter poles, but will require customer-supplied mounting clamps in order to do so. Unused holes in DPPM1 are not shown, these holes are filled with included silicone plugs at point of installation.



VIQ-DPPM1 Bracket and included hardware for attaching VIQ-DPWM1 Wall Mount Bracket



VIQ-DPPM1 Shown in sample installation with wall mount bracket and pendant cap