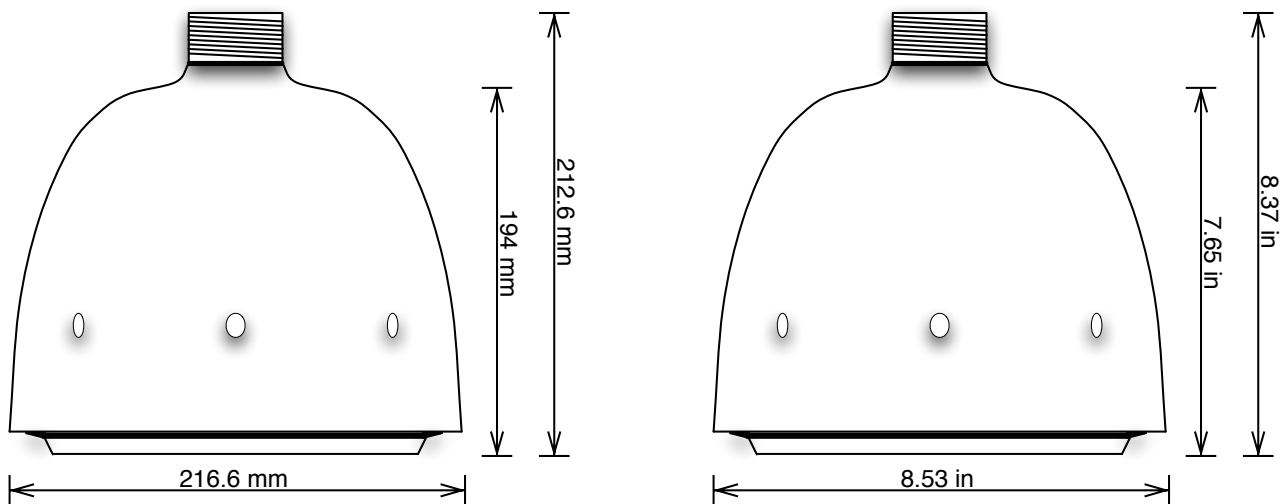




# VIQ-DPC1

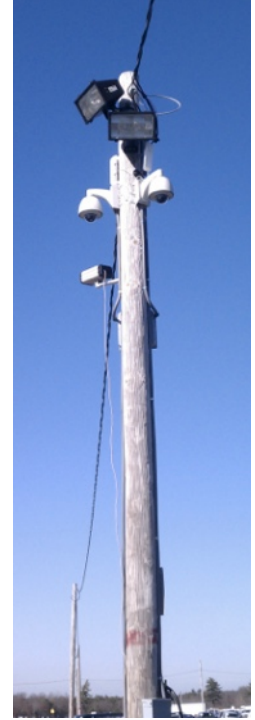
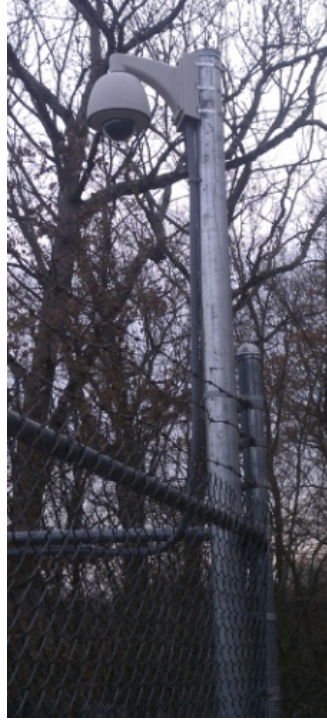
## Dome Pendant Cap

<b>Material</b>	Aluminum	
<b>Color / Finish</b>	Grey/beige powder coat	Approximates to Pantone 7527C
<b>Weight</b>	2.4 kg	5.3 lbs
<b>Thread:</b>	1 3/4" NPT Thread	



### Dimensions

Note: Acrylic bubble from iCVR Dome is not shown. Dome bubble protrudes 2.48 in / 63mm below bottom of pendant cap.



VIQ-DPC1 shown in sample installations with related accessories.



Views of VIQ-DPC1 Dome Pendant Cap