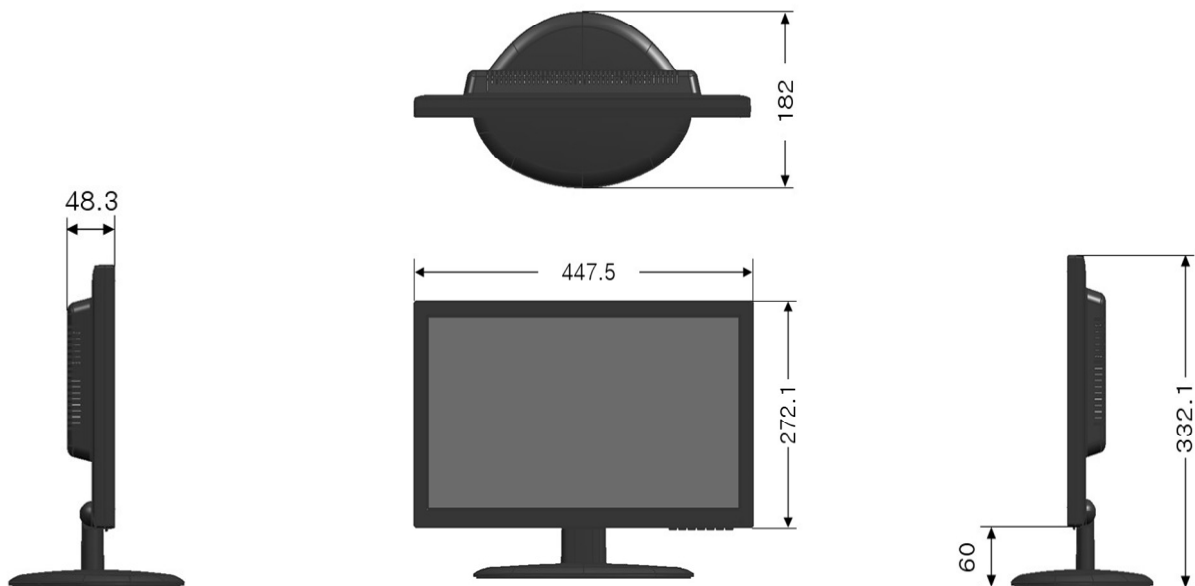


VM-719P Widescreen CCTV Monitor



- Active matrix, flat LCD panel.
- High-performance image processing circuit.
- De-interlace function.
- PIP, PBP, VOV multi-display functions.
- VGA, DVI, BNC and HDMI inputs.
- Low power consumption.
- Alarm and timed switching.
- Audio input.

Dimensions



All dimensions in mm.

Ordering codes:

VM-719P

9898

18.5" TFT LCD screen. 1366x768 (WXGA), input sources: analogue RGB, HDMI, PC stereo, 16:9 ratio. 100-240 VAC 50/60 Hz.

Display	
Screen Size	18.5"
Resolution	1366x768 @60Hz
Contrast Ratio	1000:1
Brightness	250cd/m ²
Aspect Ration	16:9
Colour Depth	16.7M
Viewing Angle (H/V)	170°/160°
Pixel Pitch	0.3 mm
Response Time	5ms
Scanning Frequency (H/V)	30~64kHz / 56~75Hz
Video System	NTSC / PAL
Max Video Resolution	600 TV lines
Interface	
RGB in (15-pin)	yes
Video In (BNC)	yes
Video Out (BNC)	yes
Audio In	yes
Audio Out	no
HDMI In	yes
DVI In	yes
Trigger In	yes
PC Stereo In	yes
Audio	
Built-in Speakers	2x 2W
Gradual Volume Increase	yes
Special Features	
3D Com Filter	yes
De-interlace Function	yes
Multi Display Function	PIP/PBP/VOV
OSD Language	English, French, German, Italian, Spanish, Danish, Portuguese, Dutch
Remote Control	yes
Additional Information	
Weight	3.08 Kg
Power Consumption	20W
Power Source	12 VDC
Colour	Black
Tilt Stand	yes
Wall Mountable	yes (bracket not supplied)
VESA Standard Compatible	yes (100mm x 100mm, BS M4x10mm)
Regulations	TUV-NRTL (same as UL), CB, FCC(A), CE-EMC(LVD)

Features and specifications are subject to change for further improvement without any notice

Vicon Industries Ltd, Brunel Way, Fareham, Hampshire, PO15 5TX, United Kingdom
Tel: +44 (0)1489 566300 Fax: +44 (0)1489 566322

www.vicon-security.com