

# V972D (EMEA) NETWORK VANDAL DOME



Vicon's V972 high definition (HD) vandal dome camera is designed for security installations that need a compact vandal resistant camera that delivers outstanding imaging at 1080P. In order to adapt to the low light lighting conditions, the V972D has integrated IR LEDs designed to illuminate the scene up to 35 meters.

The V972D camera provides triple-streaming video and supports H.264 compression technology, drastically reducing file sizes and conserving valuable network bandwidth. Users can receive multiple streams simultaneously in different resolutions, frame rates and image qualities for viewing on different platforms. A microphone and speaker can be connected to the camera to enable two way audio thru the camera.

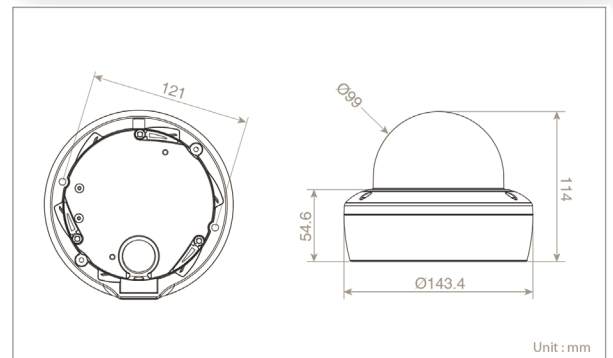
Installation is made easy and cost effective with Power over Ethernet (IEEE 802.3af), which eliminates the need for power cables. This compact camera fits unobtrusively in any location. The camera can be installed in-ceiling or surface mounted.



V660-HDB243

## Product at a Glance

- ▶ 1080p resolution (1920 x 1080)
- ▶ Colour 0.1 Lux, B/W 0.01 lux (IR LEDs Off)
- ▶ 2.8-12mm DC Auto-Iris Lens
- ▶ 120 db WDR and D-WDR models
- ▶ IR LEDs (35m max range)
- ▶ IK10 and IP66 rated
- ▶ Power-over-Ethernet (IEEE 802.3af), 12VDC
- ▶ Surface or In-ceiling mount
- ▶ Audio In/Out
- ▶ Alarm In/Out
- ▶ ONVIF Profile S



## Ordering Information

### Description

1080P network vandal dome camera. 2.8-12mm, 120 dB WDR, IR LEDs (30m), IK10, IP66, Surface/In-ceiling mount. ONVIF

1080P network vandal dome camera. 2.8-12mm, D-WDR, IR LEDs (30m), IK10, IP66, Surface/In-ceiling mount. ONVIF

Wall Mount

### Model Number

V972D-W312IR

V972D-N312IR

V660-HDB243

Model	V972D-W312IR	V972D-N312IR
Image Sensor:	1/2.8-inch progressive scan SONY Exmor CMOS Sensor	
Max Resolution:	1920 x 1080	
Image Settings:	Adjustable bit rate. Flip and mirror. Configurable brightness, contrast, color, hue, sharpness. White balance. AGC. AES. Automatic or manual day/night mode. 2DNR, 3DNR, BLC (Backlight Compensation). Digital zoom. Motion detection. Slow Shutter. Privacy Masking	
Video Analytics	Tampering, Line detector, Field detector	
Shutter Speed:	Auto(1/10,000~1 sec), Manual	
Scanning Mode:	Progressive scan	
Electronic Zoom:	2 ~ 16X (client software)	
Day/Night Performance:	IR cut filter, True Day/Night	
S/N Ratio:	120 dB WDR	72 dB D-WDR
IR Illuminator	36 IR LEDs (35m max)	
IR Angle	76° (H)	
Minimum Illumination:	Colour: 0.4 lux), B/W: 0.02 lux @f/1.2, 50 IRE; IR Colour: 0.2 lux, IR BW: 0.0 lux, IR On @f/1.2, 50 IRE	
<b>Lens</b>		
Focal Length:	2.8~12mm, F1.4	
Iris:	DC auto-iris	
Horizontal Field of View:	37° - 105°	
<b>Network Video Transmission</b>		
Network:	10Base-T, 100Base-TX, RJ-45	
Image Compression:	H.264 (High Profile); M-JPEG (Triple Stream(H.264x2, MJPEGx1)); CBR, VBR	
Resolution:	1920x1080(Full HD), 1280x1024(SXGA), 1280x720(HD), 704x480/576(D1), 640x480(VGA), 320x240(QVGA)	
Protocol:	IPv4, IPv6, TCP, HTTP, HTTPS, UPnP, RTSP/RTP/RTCP, IGMP, SMTP, DHCP, NTP, DNS, DDNS, UDP, ARP	
Max Frame Rate	60 fps	30 fps
Streaming:	Triple Stream: H.264 x 2, MJPEG x 1	Quad Stream: H.264 x 3, MJPEG x 1
Users:	Live viewing for up to 10 Users, Playback : 3 Users (unicast)	
Web Browser:	Internet Explorer® 7.0 and above, Chrome®, Firefox®	
Security:	IP address filtering, HTTPS encrypted data transmission, password protection	
<b>Mechanical and Electrical</b>		
Dimensions:	143 (Φ) x 114mm (H)	
Weight:	0.8 Kg	
Input Power:	PoE (IEEE 802.3af Class 0), 12VDC	
Power Consumption:	Max: 7.4W (155mA) POE, 6.5W (520mA) 12VDC	
Alarm Relay	1 Sensor Input, 1 Open Collector Output (Terminal Block)	
Audio	Line in and Line out (Terminal Block) (Audio Alert: 3 Pre-Recorder Voice File Selectable)	
Audio Out	G.711 codec, 64kbps bit rate	
u-SD Card	SDHC, SDXC (Max. 128GB)	
<b>Environmental</b>		
Operating Conditions:	Temp: -20 to 60° C; Humidity: less than 90%, non-condensing	
Approvals:	FCC Class A, CE, UL, IP66, IK10	

Data Sheet Number: V283-20  
Dated: 02/2017

Vicon Data Sheet Part Number: 8009-7274-20-00  
Specifications subject to change without notice.

Vicon and their logos are registered trademarks of Vicon Industries Inc.  
Microsoft and Windows are registered trademarks of Microsoft Corporation.  
Copyright © 2016 Vicon Industries Inc. All rights reserved.