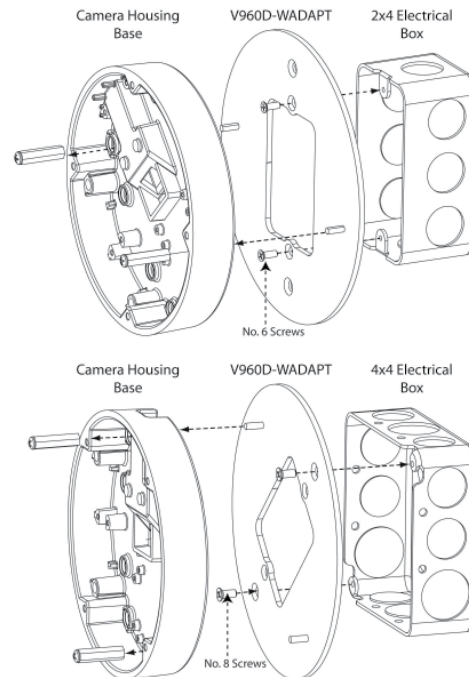
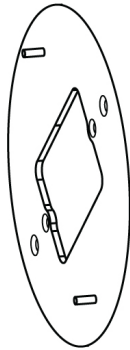


V960D CAMERA DOME ACCESSORIES

Electrical Box Adapter V960D-WADAPT

Installation Diagram



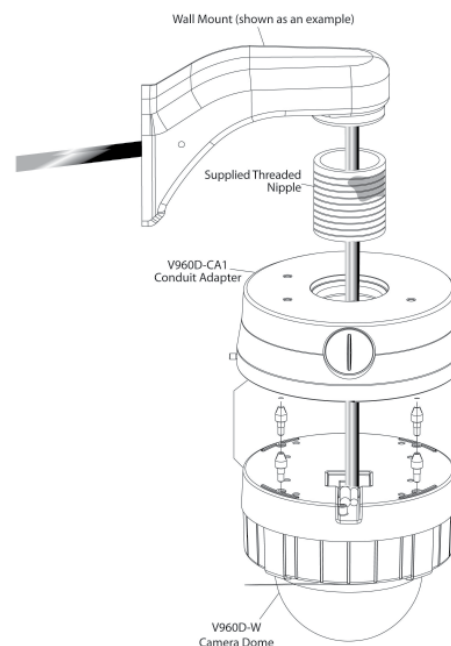
- Electrical box adapter
- Mounts to both 4 x 4 or 4 x 2 electrical box
- Diameter: 6.25 in. (159 mm)
- Weight: 0.3 lb (0.14 kg)

Application

V960D-W Series Vandal-Proof Outdoor Domes

Conduit Adapter V960D-WCA1

Installation Diagram



- Provides a 1-1/2" NPT conduit hole at the top and a 3/4" NPT conduit hole on the side
- Includes threaded nipple that allows camera domes to mount to Surveyor mounts
- Die-cast aluminum
- Diameter: 5.7 in. (145 mm)
- Height: 1.8 in. (46 mm)
- Weight: 1.18 lb (0.54 kg)

Application

V960D-W Series Vandal-Proof Outdoor Domes

In-Ceiling Mounting Kit V960D-KIT

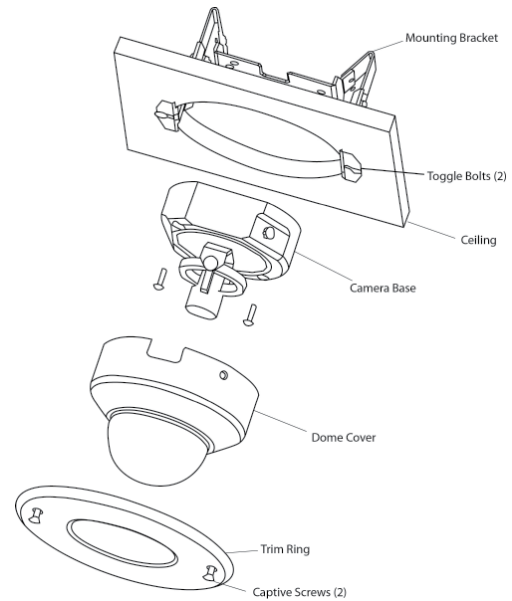


- Allows the V960D to be installed into a ceiling
- Includes trim ring and all hardware required
- Aluminum
- Width: 7.5 in. (190 mm)
- Depth: 4.0 in. (102 mm)
- Height: Adjustable 2.75 - 4.0 in. (70 - 102 mm)
- Weight: 0.54 lb (0.25 kg)

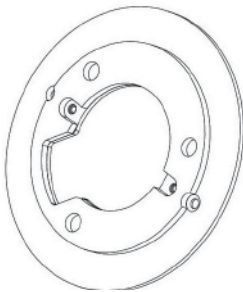
Application

V960D Series Indoor Domes

Installation Diagram



Electrical Box Adapter V960D-ADAPT



- Electrical box adapter
- Mounts to 4 x 4 electrical box
- Diameter: 6.25 in. (159 mm)
- Weight: 0.3 lb (0.14 kg)

Application

V960D Series Indoor Domes

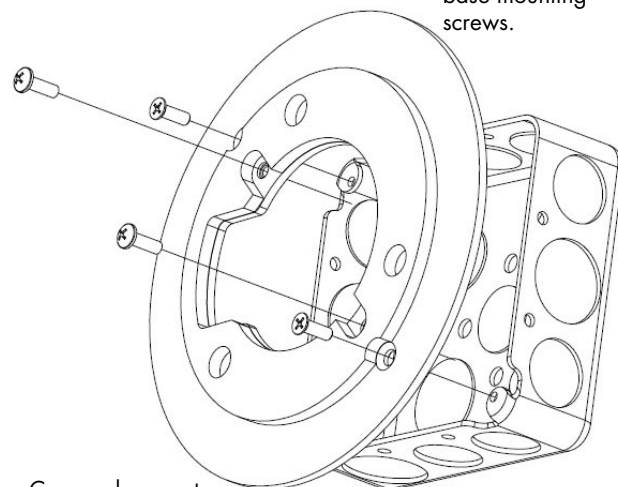
Data Sheet Number: V224-50 Dated: 6/2013

Vicon Data Sheet Part Number: 8009-7224-50-02
Specifications subject to change without notice.

Installation Diagram

Adapter plate assembly includes gasket.

2 adapter plate mounting screws and 2 camera base mounting screws.



Camera base not shown.

Vicon and its logo are registered trademarks or trademarks of Vicon Industries Inc. Copyright © 2013 Vicon Industries Inc. All rights reserved.

Wall Mount SVFT-UWM

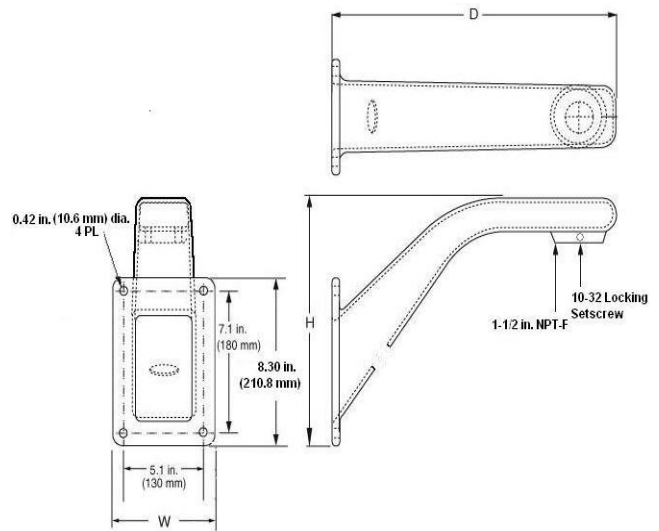


- Wall mounting camera domes
- Cast aluminum construction
- 1-1/2-inch NPT-F pipe thread
- Height: 11.6 in. (295 mm)
- Width: 6.3 in. (160 mm)
- Depth: 14.6 in. (371 mm)
- Weight: 4.5 lb (2.0 kg)

Application

Requires the V960D-WCA1 for mounting

Dimensional Data



Full datasheet available for more details.

Wall Mount SVFT-WM

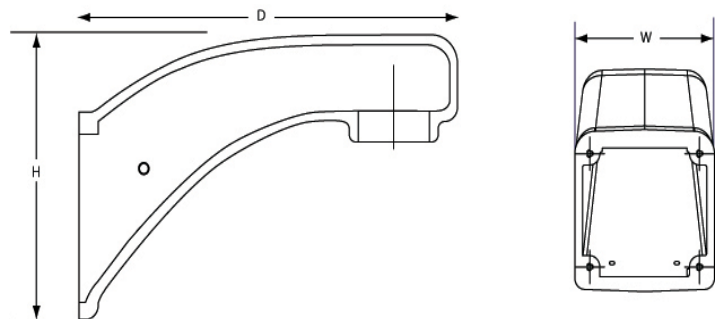


- Wall mounting camera domes
- Cast aluminum construction
- 1-1/2-inch NPT-F pipe thread
- Height: 4.9 in. (124 mm)
- Width: 3.5 in. (89 mm)
- Depth: 7.5 in. (191 mm)
- Weight: 1.4 lb (0.6 kg)

Application

Requires the V960D-WCA1 for mounting

Dimensional Data



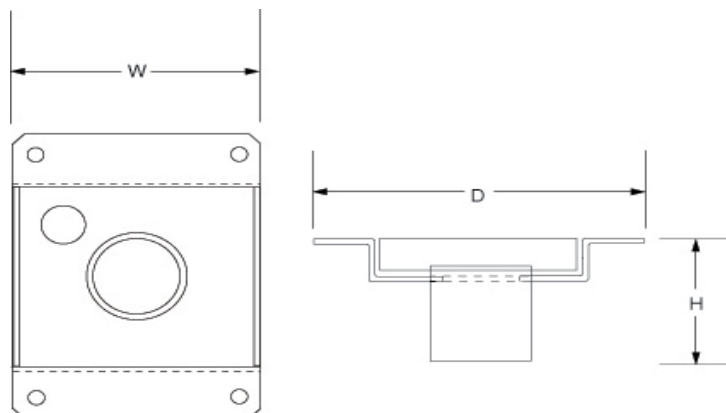
Full datasheet available for more details.

Ceiling Mount SVFT-UCM



- Ceiling mounting
- Carbon steel construction
- 1-1/2-inch NPT-F pipe thread
- Height: 3.0 in. (76 mm)
- Depth: 9.1 in. (231 mm)
- Width: 6.0 in. (152 mm)
- Weight: 3.3 lb (1.5 kg)

Dimensional Data



Full datasheet available for more details.

Application

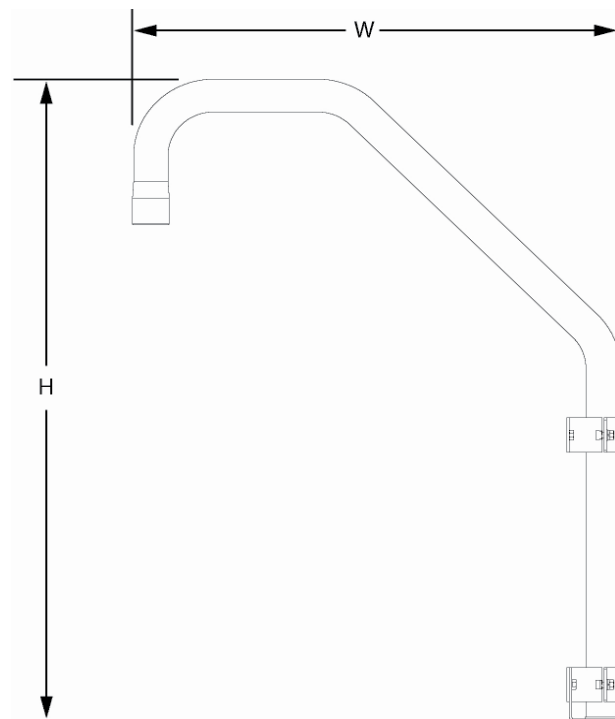
Requires the V960D-WCA1 for mounting

Parapet Mount SVFT-UPM-1



- Designed specifically for parapet mounting camera domes
- Aluminum and steel construction
- 1-1/2-inch NPT-F pipe thread
- Height: 37 in. (940 mm)
- Width: 27 in. (686 mm)
- Load Rating: 40 lb (18 kg)
- Weight: 7.6 lb (3.4 kg)

Dimensional Data



Full datasheet available for more details.

Application

Requires the V960D-WCA1 for mounting

Roof Mount SVFT-URM-1

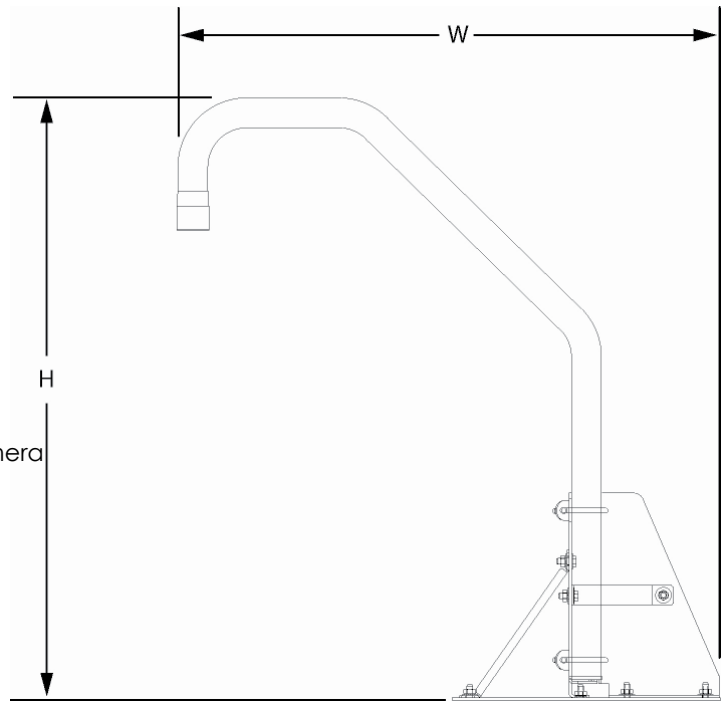


- Designed specifically for roof mounting camera domes
- Aluminum and steel construction
- 1-1/2-inch NPT-F pipe thread
- Height: 37 in. (940 mm)
- Width: 35 in. (889 mm)
- Load Rating: 50 lb (23 kg)
- Weight: 22.5 lb (10.2 kg)

Application

Requires the V960D-WCA1 for mounting

Dimensional Data



Full datasheet available for more details.

Corner Mount Bracket V24CMB

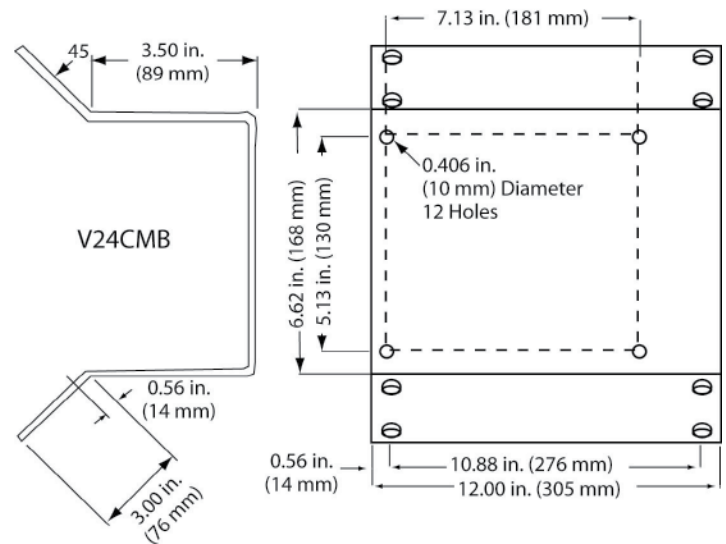


- Designed for corner mounting SVFT wall mounts
- Corrosion-protected steel construction
- Height: 6.6 in. (168 mm)
- Width: 12 in. (305 mm)
- Weight: 8.2 lb (3.7 kg)

Application

For corner mounting SVFT-WM and SVFT-UWM wall mounts

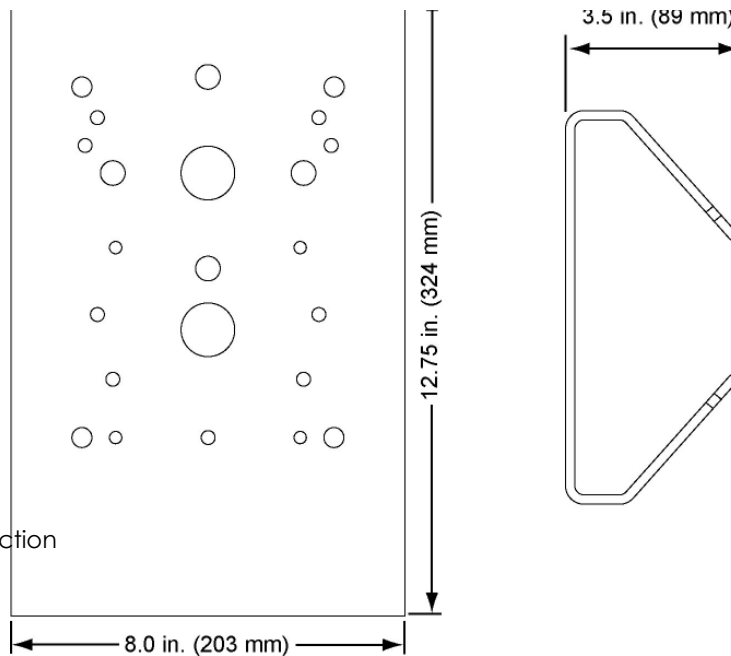
Dimensional Data



Pole Mount Adapter V20B-A Series



Dimensional Data



- Designed for pole mounting SVFT wall mounts
- Available with aluminum or stainless steel construction
- Fits 4 - 10 in. diameter poles
- Height: 12.75 in. (324 mm)
- Width: 8 in. (203 mm)
- Depth: 3.5 in. (89 mm)
- Weight: Aluminum - 3.7 lb (1.7 kg); steel - 11 lb (5 kg)

Full datasheet available for more details.

Application

For pole mounting SVFT-WM and SVFT-UWM wall mounts