

V9360-1 SERIES HEMISPHERIC NETWORK DOME CAMERAS



360 Degree Vision

The V9360-1 series provides a high-resolution, hemispherical view of your world that eliminates blind spots and improves long term reliability. Onboard image processing of the 6 megapixel sensor image provides crisp distortion free images. An integral fisheye lens provides an extremely wide angle of view for a panoramic image, capturing a complete 360° view (ceiling mount) or 180° view (wall mount). The Edge Dewarping function is done in the camera itself; this image is then sent as a single stream to the VMS to be used for recording and live view. As an alternative, Software Dewarping is provided, for those VMS that support it.

- 6 megapixel progressive scan CMOS sensor
- Day/night with mechanical IR cut filter
- Minimum illumination 0.002 lux at F2.8
- 180°/360° panorama at full HD resolution
- Built-in 1.05 mm / F2.8 megapixel fisheye lens
- 6 MP (3072 x 2048) maximum resolution
- Selectable H.264 and M-JPEG compressions with dual streaming
- Motion detection
- Wide Dynamic Range (WDR)
- MicroSD card slot for local storage
- Powered by PoE; 12 VDC; 24 VAC
- Indoor and outdoor models; outdoor version has weatherproof IP66 rated housing

Overview

The V9360-1 provides dual-streaming video and supports H.264 compression technology, drastically reducing file sizes and conserving valuable network bandwidth; M-JPEG compressions is also supported.

The hemispheric camera series offers indoor and outdoor models. The indoor version is the V9360-1; the V9360W-1 is designed for outdoor security installations. The camera provides up to 6 MP (3072x2048) resolution, depending upon video stream mode. An IR cut filter provides low light sensitivity up to 0.002 lux.

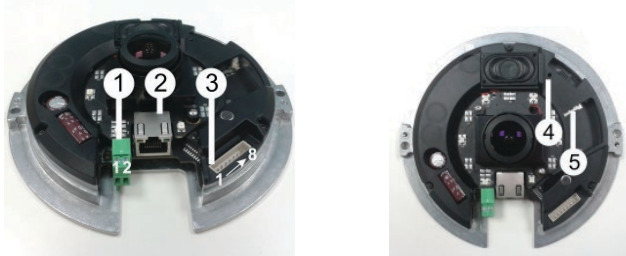
Installation of the V9360-1 is made easy and cost effective with Power over Ethernet (IEEE 802.3af), which eliminates the need for power cables; 12 VDC and 24 VAC are also accepted.

The camera can be used with many popular VMS systems, including ViconNet®; each VMS may support different camera functions. Using ViconNet, it is possible to digitally zoom in to live or recorded video, providing a close look at any object within the two panoramic views; pixilation is minimal due to the 6 MP resolution.

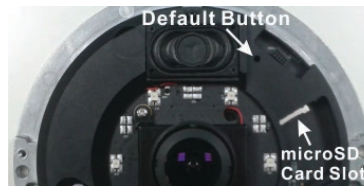
Resolution	Environment	Model Number
Up to 3072x2048 pixels (6 megapixel)	Outdoor	V9360W-1
Up to 3072x2048 pixels (6 megapixel)	Indoor	V9360-1
Mounting Options		
Pendant mounting kit	Indoor/Outdoor	V9360-1MK
Universal (4S) box adaptor	Indoor/Outdoor	V9360-1BA

Model	V9360W-1 Outdoor and V9360-1 Indoor
Camera	
Device Type:	Indoor and outdoor hemispheric cameras
Image Sensor:	1/1.8" Sony progressive scan CMOS
Max Resolution:	SW Dewarping: 3072x2048 (6 MP); Edge Dewarping: 2048x2048 (4 MP)
Image Settings:	WDR (wide dynamic range). Backlight Compensation. Configurable brightness, contrast, saturation, hue, sharpness. White balance. Exposure. Edge de-warping. DNR (3D). Digital zoom. Motion detection. Privacy masks. ICR. Tampering Alarm.
Electronic Shutter Speed:	1 - 1/10000 sec
Day/Night Performance:	Day/Night with mechanical IR cut filter
IR Sensitivity:	850 nm; up to 16 ft (5 m)
Minimum Illumination:	Color: 0.04 lux; BW: 0.002 lux) @F/2.8
Lenses	
Lens:	Fisheye 1/2.5"; 1.05 mm focal length, F2.8; M12 lens mount
Angle of View:	180° @ full resolution
Network Video Transmission	
Network:	1 Gbps Ethernet; RJ-45
Image Compression:	H.264 (MPEG-4 Part 10/AVC) Baseline/ Main Profile/ High Profile/SVC, M-JPEG
Video Streaming:	Simultaneous dual streams based on two configurations in single view mode; multiple streams based on single configuration in 6 cropped VGA mode
Max. Frame Rate vs Resolution Performance:	Refer to Table that follows
	1
Audio:	Built-in speaker (max. 2W mono) and microphone or two-way audio (line in/line out); G.711/G.726
Protocols:	IPv4/IPv6, TCP/IP, UDP, HTTP, RTP, RTSP, DHCP, SMTP, HTTPS, PPPoE, ICMP, ARP, UPnP, SNMP, FTP, IGMP, QoS, ONVIF
Users:	Up to 20 clients
Web Browser:	Internet Explorer® 6.0 and above/Chrome®/Firefox®/Safari®
Alarms:	i alarm input/1 alarm output
Security:	Password protection, IP address filtering, HTTPS, IEEE 802.1X network access control
Mechanical and Electrical	
Construction:	Plastic
Mounting:	2 mounting holes provided
Controls and Connectors:	PoE/Network: RJ-45. Alarm/Audio: 8 pin terminal block (2 of each). Power: 3 pin terminal block. Audio In/Out: phone jacks with cable (indoor); terminal block (outdoor). Micro SDHC card slot.
Dimensions:	Outdoor: H: 2.3 in. (58.7 mm); D: 6 in. (152 mm). Indoor: H: 1.8 in. (45.3 mm); D: 5.9 in. (150 mm).
Weight:	Outdoor: 1.76 lb (0.8 kg). Indoor: 0.93 lb (0.42 g)
Input Power:	PoE (IEEE 802.3af Class 3); 12 VDC
Current:	Outdoor: 0.8 A. Indoor: 0.64 A
Power Consumption:	Outdoor: 9.6 W. Indoor: 7.68 W
Environmental	
Operating Conditions:	Temp: Outdoor: -22 to 122° F (-30 to 50° C); Indoor: 14 to 122° F (-10 to 50° C). Humidity: 10% - 85%, non-condensing.
Approvals:	FCC Class A, CE. Outdoor: IP66
Warranty:	3 years

V9360-1 Connectors



V9360W-1 Connectors



1. Power Connector: 12 VDC - Pole 1 12 VDC; Pole 2 Reserved
24 VAC - Pole 1 24 VAC1; Pole 2 24 VAC2
2. RJ-45 Connector: Network and PoE connections
3. Alarm and Audio Connector: Input and output
4. Default Button: Press to restore factory defaults
5. MicroSD Card Slot: Insert microSD card for storage

Mounting Accessories

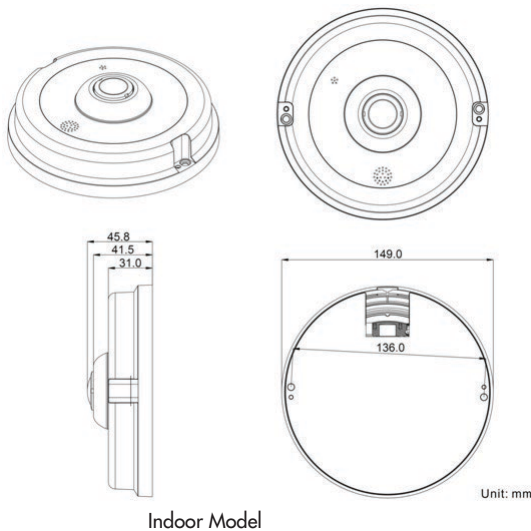


V9360-1MK



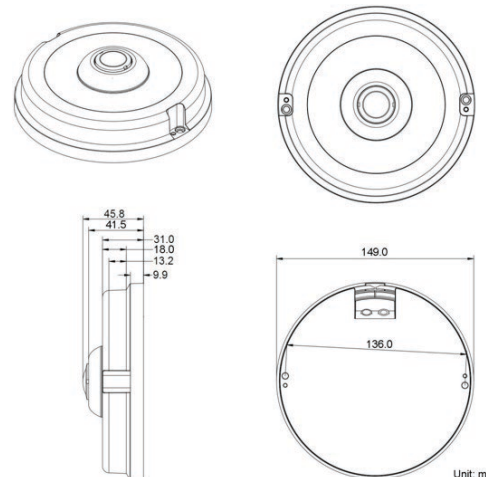
V9360-1BA

Dimension Drawings



Indoor Model

Unit: mm



Outdoor Model

Unit: mm

Performance Table

Dewarping Type	Video Resolution	Streaming	Video Streaming (fps)
Edge Dewarping	H.264: 2048x2048/2688x1520/2048x1536/1920x1080/ 1600x1200/1408x1408/960x960/960x720/960x554 M-JPEG: 1920x1080/1600x1200/1408x1408/960x960/ 960x720/960x554	Dual*	H.264: 4MP (2048x2048) @20fps + H.264 1080p @20fps
			H.264: 1.98MP (1408x1408) @25/30fps+ H.264 1080p @25/30fps
		Single	H.264 6MP (3072x2048) @25/30fps
			H.264/M-JPEG 1080p @50/60fps
Software Dewarping	H.264: 6MP (3072x2048)/Full HD 1080P/SXGA/HD 720P/ XGA/SVGA/D1/VGA/CIF/QVGA M-JPEG: Full HD 1080P/SXGA/720P/XGA/SVGA/D1/VGA/ CIF/QVGA	Dual*	H.264 6MP (3072x2048) @25/30fps + H.264 720p @25/30fps
			H.264 1080p @60fps + 1080p @25/30fps
		Quad**	NTSC: H.264 1080p @60fps + H.264 SXGA @60fps + H.264 D1 @60fps + H.264 CIF @60fps
			PAL: H.264 1080p @50fps + H.264 1080p @50fps + H.264 VGA @50fps + H.264 CIF @50fps

*Note: M-JPEG supports for resolution of 1080P or under.

** Note: 1 of the streamings can be M-JPEG