

V932EZ-W312MIR (EMEA) NETWORK VANDAL DOME



Vicon's V932 vandal dome camera is the ultimate vandal dome for "EASY" installation. The integrated Pan and Tilt motors allow the installer to install the camera and remote adjust the field of view. The camera eliminates the time consuming process of manually positioning the camera inside of the dome. Repositioning the camera is as simple as controlling a standard PTZ camera.

The network camera has outstanding image quality day and night with an integrated IR LED that is designed to illuminate the scene up to 30 meters.

The V932 camera provides triple-streaming video and supports H.264 compression technology, drastically reducing file sizes and conserving valuable network bandwidth. Users can receive multiple streams simultaneously in different resolutions, frame rates and image qualities for viewing on different platforms. A microphone and speaker can be connected to the camera to enable two way audio thru the camera.

Product at a Glance

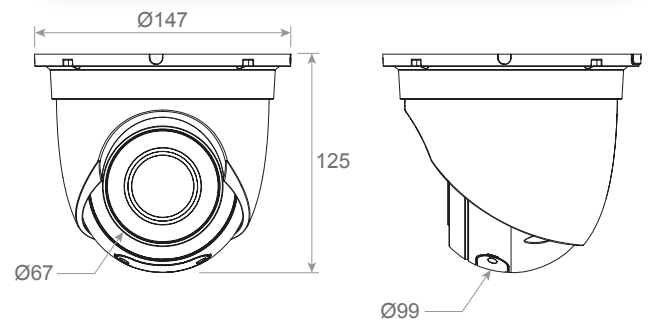
- ▶ Remote motorized Pan and Tilt camera controls
- ▶ Remote 2.8-12mm motorized focus and zoom lens
- ▶ 1080p resolution (1920 x 1080)
- ▶ 120 dB WDR
- ▶ IR LEDs (30m max range)
- ▶ IK10 and IP66 rated
- ▶ Power-over-Ethernet (IEEE 802.3af), 12VDC
- ▶ uSD Card Edge Recording
- ▶ Privacy Masking
- ▶ Audio In/Out
- ▶ Alarm In/Out
- ▶ ONVIF Profile-S



Electrical Box



Wall Mount Arm



Unit : mm

Ordering Information

Description	Model Number
1080P network vandal dome camera. Remote Pan/Tilt setup. 2.8-12mm MFZ Lens. 120 dB WDR, IR LEDs (30m), IK10, IP66	V932EZ-W312MIR
Wall Mount Arm	V932EZ-HDB243
Electrical Box	V932EZ-BOX

Model	V932EZ-W312MIR
Image Sensor:	1/2.8-inch progressive scan Sony Starvis CMOS Sensor
Max Resolution:	1920 x 1080
Image Settings:	Adjustable bit rate. Flip and mirror. Configurable brightness, contrast, color, hue, sharpness. White balance. AGC. AES. Automatic or manual day/night mode. 2DNR, 3DNR, BLC (Backlight Compensation). Digital zoom. Motion detection. Slow Shutter. Privacy Masking
Video Analytics	Tampering, Line detector, Field detector
Shutter Speed:	Auto(1/10,000~1 sec), Manual
Scanning Mode:	Progressive scan
Electronic Zoom:	2 ~ 16X (client software)
Day/Night Performance:	IR cut filter, True Day/Night
S/N Ratio:	120 dB WDR
IR Illuminator	30 IR LEDs (30m max)
IR Angle	76° (H)
Minimum Illumination:	Colour: 0.4 lux), B/W: 0.02 lux @f/1.2, 50 IRE; IR Colour: 0.2 lux, IR BW: 0.0 lux, IR On @f/1.2, 50 IRE
Pan/Tilt Range:	Pan: 0°-357° (motorized), Tilt: 0°-100° (Motorized)
Lens	
Focal Length:	2.8~12mm, F1.4 (motorized focus and zoom)
Iris:	DC auto-iris
Horizontal Field of View:	37° - 105°
Network Video Transmission	
Network:	10Base-T, 100Base-TX, RJ-45
Image Compression:	H.264 (High Profile); M-JPEG (Triple Stream(H.264x2, MJPEGx1)); CBR, VBR
Resolution:	1920x1080(Full HD), 1280x1024(SXGA), 1280x720(HD), 704x480/576(D1), 640x480(VGA), 320x240(QVGA)
Protocol:	IPv4, IPv6, TCP, HTTP, HTTPS, UPnP, RTSP/RTP/RTCP, IGMP, SMTP, DHCP, NTP, DNS, DDNS, UDP, ARP, ONVIF
Frame Rate:	Maximum 30fps
Users:	Live viewing for up to 10 Users, Playback : 3 Users (unicast)
Web Browser:	Internet Explorer® 7.0 and above, Chrome®, Firefox®
Security:	IP address filtering, HTTPS encrypted data transmission, password protection
Mechanical and Electrical	
Dimensions:	147 (Φ) x 125mm (H)
Weight:	0.8 Kg
Input Power:	PoE (IEEE 802.3af Class 0), 12VDC
Power Consumption:	PoE: 9.6W. 12VDC: 7.2W (600mA)
Alarm Relay	1 Sensor Input, 1 Open Collector Output (Terminal Block)
Audio	Line in and Line out (Terminal Block) (Audio Alert: 3 Pre-Recorder Voice File Selectable)
Audio Out	G.711 codec, 64kbps bit rate
u-SD Card	SDHC, SDXC (Max. 128GB)
Environmental	
Operating Conditions:	Temp: -20 to 60° C; Humidity: less than 90%, non-condensing
Approvals:	FCC Class A, CE, UL, IP66, IK10
Warranty:	3 years

Data Sheet Number: V932-10
Dated: 1/2017

Vicon Data Sheet Part Number: 8932-7274-20-00
Specifications subject to change without notice.

Vicon and their logos are registered trademarks of Vicon Industries Inc.
Microsoft and Windows are registered trademarks of Microsoft Corporation.
Copyright © 2017 Vicon Industries Inc. All rights reserved.