

NOTES SUPERSEDES PRODUCT SPECIFICATION 568-1088	SPEC NO. 568	REV. 1094	SEC. 6
-----------------------------------------------------------	-------------------------------	----------------------------	-------------------------

PRODUCT SPECIFICATION

MODEL: V8612H

PRODUCT CODE: 1681

DESCRIPTION: TAMPERPROOF CEILING-MOUNTED HOUSING

The compact Model V8612H Tamperproof Ceiling Housing provides an inconspicuous means of concealing small CCD cameras. It can be mounted in most types of ceilings. Optional mounting plates, Model V8612H-CP for fixed installations and V8612H-ACP for 360-degree adjustable installations, facilitate mounting in dropped (suspended) ceilings.

The housing itself is a completely closed unit and provides effective protection from dust. The hinged bottom section is provided with a lock for tamperproof security.

The housing is constructed so that the camera can be adjusted easily and the lens focused from below the ceiling. Provision is made for attachment of a 4-inch junction box on the upper housing for electrical connections. A 7/8-inch knock-out opening is also provided on top of the upper housing.

The V8612H housing complies with UL standard 1409.



V8612H HOUSING

ASSOCIATED EQUIPMENT AND ACCESSORIES

Model V8612H-CP Ceiling Panel: Provides simple drop-in installation in 2 × 2 ft ceiling grids. Off-white. Product code 1669.

Model V8612H-ACP Adjustable Ceiling Panel: Produces 360° positioning capability in 2 × 2 ft ceiling grids. Off-white. Product code 4115.

TECHNICAL INFORMATION

OPTICAL

Light Loss: 1/3 f-stop through viewing window.

Maximum Camera/Lens

Dimensions: Height: 4.6 in. (11.7 cm).
Width: 4.6 in. (11.7 cm).
Length: 10.0 in. (25.4 cm).

MECHANICAL

Fire Rating: Lower housing: UL 94-VO.

Fire Safety: NEMA 2 standard.

Maximum Load Rating: 20 lb (9.1 kg).

External Dimensions: Height: 6.5 in. (16.5 cm) overall.
Below ceiling height: 3.0 in. (7.6 cm).
Width: 6.4 in. (16.2 cm).
Length: 12.6 in. (32.0 cm).

Weight: 3.1 lb (1.4 kg).

Construction: Upper housing: plated steel.
Lower housing: high-impact vacuum molded thermoplastic.
Window: clear acrylic.

Clear Window Area: 2.9 in. (7.4 cm) high x 2.3 in. (5.8 cm) wide.

Finish: Exterior: white.

CONTRACTORS' SPECIFICATION

TAMPERPROOF CEILING-MOUNTED HOUSING

The housing shall be a tamperproof ceiling-mounted unit for small CCTV cameras and lenses. It shall be constructed with a hinged bottom section with a tamperproof lock for security. The plastic components shall have a UL flame rating of 94-VO. The housing shall comply with NEMA 2 standard. The maximum load rating shall be 20 lb (9.1 kg). The unit shall provide a low profile when mounted within a ceiling and shall not project more than 3 in. (8 cm) below the ceiling. Optional mounting plates for fixed and adjustable installations shall be available. Overall dimensions shall not exceed: height, 6.5 in. (16.5 cm); width, 6.4 in. (16.2 cm); length, 12.6 in. (32.0 cm). The weight shall not exceed 3.1 lb (1.4 kg). The housing shall be Vicon model V8612H.

Cable Access: Provision for 4-in. junction box on top of upper housing. Also 7/8-in. knock-out on front end of upper housing.

Lock: Lower housing: key-operated lock.

Housing Mounting: Upper housing can be mounted directly to a drop-ceiling panel or can be supported by the drop-ceiling grid structure by means of the optional V8612H-CP or V8612H-ACP Ceiling Panel.

Camera Mounting: Bracket adjustable for tilt and vertical position.

Shipping Dimensions: Height: 9.8 in. (24.8 cm).
Width: 8.4 in. (21.3 cm).
Length: 15.3 in. (38.7 cm).

Shipping Weight: 4.7 lb (2.2 kg).

Shipping Volume: 0.7 ft³ (0.02m³).

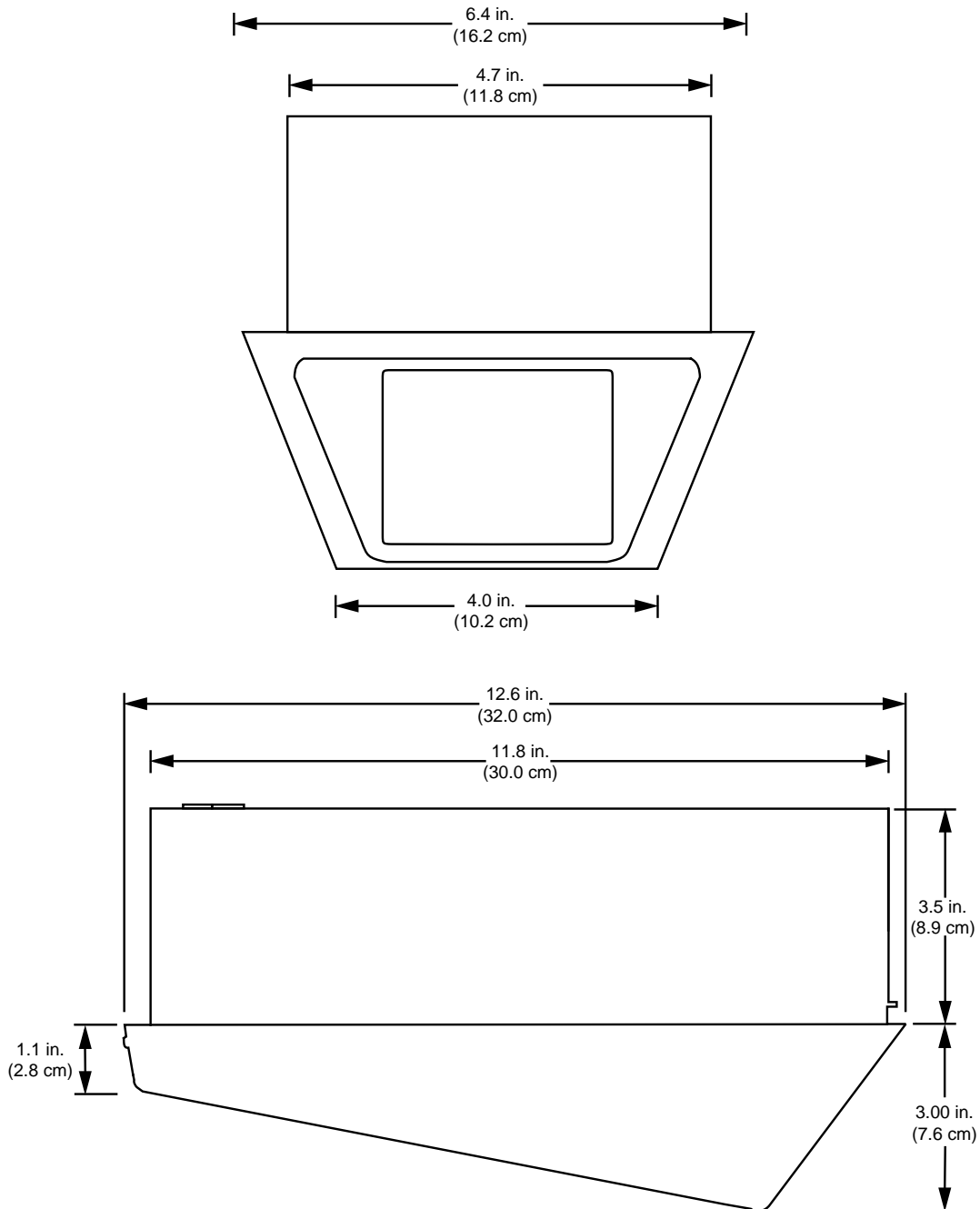


Figure 1
V8612H Housing Dimensions