

NOTES SUPERSEDES PRODUCT SPECIFICATION 362-786	SPEC NO. 363	REV. 695	SEC. 6
---	-------------------------------	---------------------------	-------------------------

PRODUCT SPECIFICATION

MODEL: V8600H-14-HT

PRODUCT CODE: 1839-20

DESCRIPTION: TAMPERPROOF INDOOR HOUSING

- **Attractive styling**
- **Durable and compact design**
- **Tamperproof locks**
- **Easy installation and serviceability**

The V8600H-14-HT is a durable and compact indoor housing designed to protect cameras from dust in industrial indoor environments. Constructed of lightweight aluminum and plastic, the attractively styled housing accommodates 2/3-, 1/2-, and 1/3-inch format camera/lens combinations.

The housing can be secured on mounts with adjustable heads, light or medium-duty scanners, or light-duty pan-and-tilt drives. Additional features include spring-loaded end caps for easy installation, an adjustable camera plate, and a specially-designed flexible gland for cable exit. Factory-installed tamperproof locks are standard. The V8600H-14-HT complies with NEMA 2 standards.



V8600H-14-HT INDOOR HOUSING

TECHNICAL INFORMATION

MECHANICAL

External Dimensions: Height: 5.0 in. (12.7 cm).
Width: 6.80 in. (17.27 cm).
Length: 16.7 (42.4 cm).

Maximum Camera/Lens Dimensions: Height: 3.88 in. (9.86 cm).
Width: 5.83 in. (14.8 cm).
Length: 14.0 (35.6 cm).

Weight: 4.5 lb (2.0 kg).

Window Size: 3.0 in. x5.0 in. (7.6 cmx 12.7 cm) opening.

Mounting: Camera: three 0.281in. (0.71 cm) clearance holes in fully adjustable camera mounting plate.
Housing: three 1/4 in. x 20 tapped holes in bottom of housing.

Construction: Housing and Cover: extruded aluminum.
End Caps: Noryl* injection molded plastic.
Window: 0.125 in. (0.32 cm) thick optically clear acrylic.

CONTRACTORS' SPECIFICATION

INDOOR TAMPERPROOF HOUSING

The housing shall be a tamperproof indoor unit for medium-to-small CCTV cameras and lenses. It shall be designed to mount on wall mounts, adjustable heads, pan-and-tilt drives, and scanners. Construction shall be of aluminum for protection from radio frequency (RF) interference. External dimensions shall not exceed: height, 5.0 in. (12.7 cm); width, 6.8 in. (17.3 cm), length, 16.7 in. (42.4 cm). Maximum camera/lens dimensions shall be: length, 14.0 in (35.6 cm); width, 5.8 in (14.8 cm); height, 3.9 in (9.9 cm). The housing shall include factory-installed tamperproof locks. The housing shall comply with NEMA 2 standards. The housing shall be Vicon's model V8600H-14-HT.

Product specifications subject to change without notice.

Vicon part number 8006-7363-01-00
Manufactured under U.S. patent number 4,394,692.

VICON INDUSTRIES INC. 525 BROAD HOLLOW ROAD, MELVILLE, N.Y. 11747 TEL: 516-293-2200 FAX: 516-293-2627
TOLL FREE: 1-800-645-9116 INFOFAX: 1-800-287-1207

Finish: Anodized aluminum body, black semigloss end caps and accent stripes.

Cable Access: Four cable-entry ports on rear end cap.

NEMA: Complies with NEMA 2 standards.

Shipping Dimensions: Height: 7.0 in. (17.8 cm).
Width: 9.3 in. (23.5 cm).
Length: 18.0 in. (45.7 cm).

Shipping Weight: 5.8 lb (2.6 kg).

Shipping Volume: 0.678ft³ (0.019 m³).

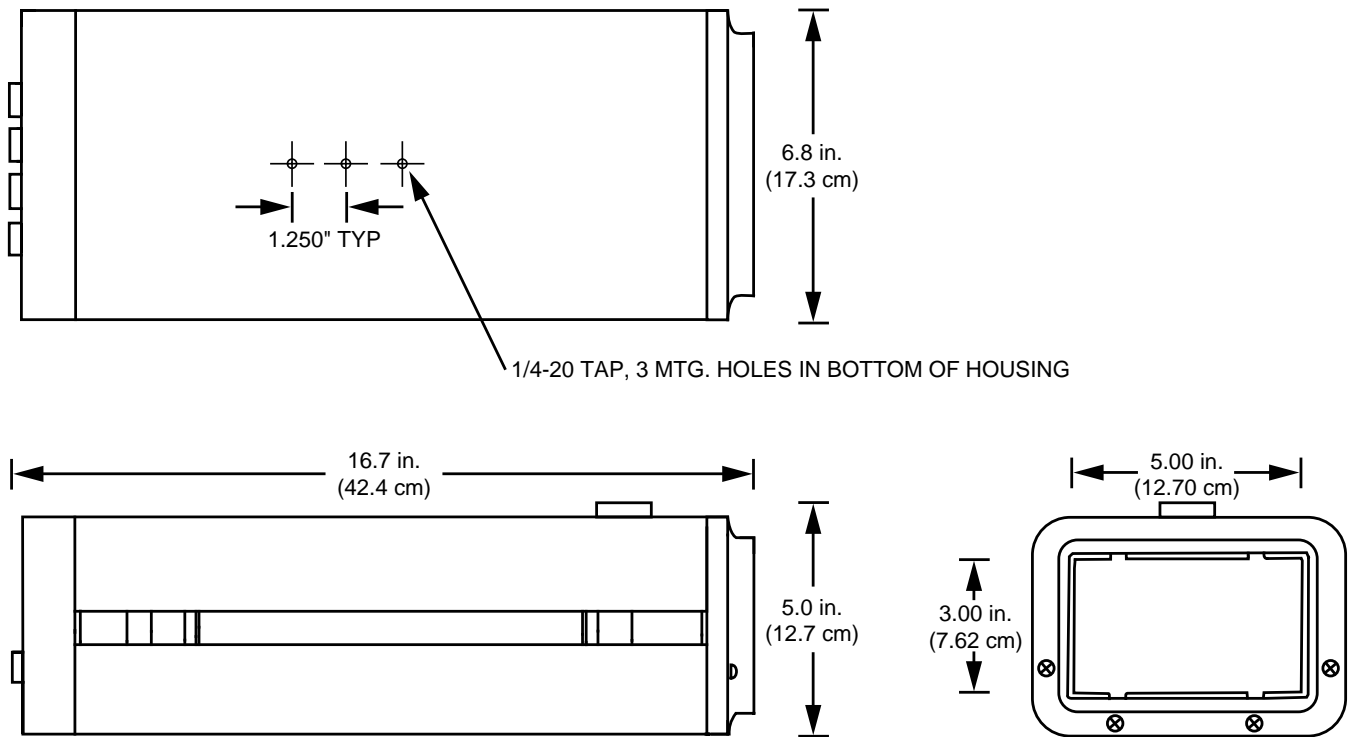


Figure 1
V8600H-14-HT Outline Drawing