

# SN673V-B OUTDOOR PTZ NETWORK CAMERA



## Product at a Glance

- ▶ 1080P (1920x1080P) day/night camera
- ▶ H.264 and M-JPEG compression formats
- ▶ 20X optical zoom and 16X digital zoom
- ▶ Min. illumination: Color 0.35 lux; B/W: 0.013 lux
- ▶ True WDR (120 dB), DIS (Digital Image Stabilization), tampering, defog, and object detection function
- ▶ Supports local recording to Micro-SD card
- ▶ Powered by 12 VDC/24 VAC and PoE
- ▶ ONVIF (Profile-S) compliant
- ▶ Outdoor; IP66 and IK10 rated

### Description

The Cruiser™ SN673V-B PTZ camera dome includes a 1080P high-resolution camera/lens combination that provides video transmission over a network. The camera provides triple-streaming video and supports H.264 compression technology, drastically reducing file sizes and conserving valuable network bandwidth.

### Construction and Installation

The SN673V-B is designed for easy installation. The dome can be surface mounted.

The lower dome is constructed of impact-resistant polycarbonate and is secured by tamperproof screws, providing anti-vandal security. Several mounting accessories are available to fit almost any installation need. Refer to the Accessories table for mounting options.

### Camera Optics and PTZ Features

The SN673V-B includes an integral true day/night camera and lens. A 4.7-94 mm varifocal lens with an optical 20X zoom provides superb sharpness and excellent sensitivity. The day/night camera utilizes a 1/2.8" Sony Exmor CMOS sensor, which can provide quality imaging down to 0.35 lux. Wide Dynamic Range (WDR) improves detail in bright or low light areas of the image and DNR corrects imperfections in the image to provide a clearer image. A Micro-SD memory slot is provided for local recording with removable storage.

The camera provides a full 360° continuous rotation and a 0° to 180° tilt range. 256 programmable presets are provided, as are 8 tours, 4 alarm inputs and one alarm output. The camera provides many other programmable features such as video analytics, privacy masking, image stabilization, and 2-way audio.

### Descriptions and Models

Housing	Mount	Model
Outdoor	Surface Mount	SN673V-B

### Accessories

	Description	Model Number
	In-ceiling mounting kit	V670-HCS300
	Pendant arm wall mount prepack	V670-HDB242-VS8
	Indoor or outdoor wall-mount arm	V670-HDB243
	Adapter: allows pendant arm to be mounted to corner/pole <sup>1</sup>	V670-HCM154
	Adapter Plate for HDB243	V670-HCM155

### Accessories (cont'd)

	Description	Model Number
	Corner Mount <sup>1</sup>	V670-HCM150
	Pole Mount <sup>1</sup>	V670-HCM151
	Pipe Adapter	V670-HDA202-1
	Wall Mount/ Pendant Mount	V670-WM/ V670-PM
	Backbox/Pendant Mount Box	V670-BOX/ V670-PMB
	Heater accessory; lowers temperature range to -40° F/-40° C	V660-HAH

1. These accessories are connected with the HDB243 adapter plate.

## SPECIFICATIONS

## Network Video Transmission

Compression:	H.264 (BP/MP/HP), M-JPEG
Resolution:	1920 x 1080p (full HD), 1280x1024 (SXVGA), 1280x720/960 (HD), 704x576/480 (D1), 640x360/480, 320x240
Frame Rate:	1080P @ 60/50fps (dual stream); 30/25fps (triple stream)
Multiple Streaming:	Triple Stream (2x H.264 and 1x M-JPEG)
Video Streams:	10 concurrent (live) max; 3 (playback)
Protocols:	IPv4/IPv6, TCP/IP, UDP, HTTP, RTP, RTSP, QoS, DHCP, uPnP, ARP, HTTPS, RTCP, FTP, Zeroconf, Bonjour
Ethernet:	10/100Base-T

## Electrical

Input Voltage:	PoE, 12 VDC, 24 VAC ±10%
Current:	0.25 A @ PoE, 1.1 A @ 12 VDC/24 VAC.
Power	
Consumption:	12 W
Power over Ethernet:	802.3af Class 3
Certifications:	UL, CE; FCC Class A

## Operational

Pan Range:	360° continuous
Pan Speed (Max):	Preset: 380°/sec
Tilt Range:	0 - 180°; digital flip
Tilt Speed (Max):	Preset: 380°/sec
Variable Speed:	0.1°/sec to 380°/sec
Preset Capability:	256 programmable
Tour Capabilities:	8 tours available; 100 presets per tour
Alarm Capabilities:	4 alarm input, programmable NC/NO 1 alarm output
Audio Capability:	1 audio in; 1 audio out (G.711); 2-way streaming
Language Menu:	English, French, Russian, Korean, Chinese
Security:	Password protection, IP filtering, HTTPS, SSL
Local Recording:	Micro-SD slot provided; customer supplied SD card

## Camera and Optics

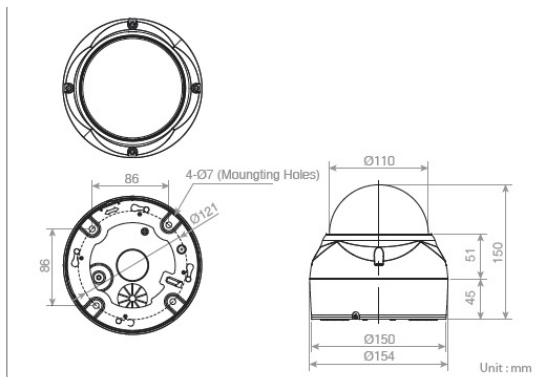
Image Device:	1/2.8" Sony Starvis CMOS progressive scan
Sensitivity:	Color: 0.35 lux, B&W: 0.013 lux @50IRE
Gain Control:	Automatic/Manual
Day/Night:	True day/night (IR cut filter)
Backlight Compensation:	On/Off
Wide Dynamic Range:	On/Off; 120 dB
Iris Control:	Automatic/Manual
Digital Noise Reduction:	On/Off (3DNR)
Video Focus:	Automatic/Manual
Image Stabilization:	On/Off
White Balance:	Automatic/Manual; Red/Blue adjustable
Privacy Masks:	8 windows.
Motion Detection:	16 windows (8 include/8 exclude)
Electronic Shutter Speed:	1/3 - 1/30,000; manual
Digital Zoom:	16X.
Focal Length:	4.7 - 94 mm
Optical Zoom Ratio:	20X
Angle of View:	Horizontal: 55.5° - 3° Vertical: 32.4° - 1.7°; (wide - tele)

## Mechanical

Mounting:	Surface mount
Construction:	Aluminum, steel and plastic; tamperproof screws; IK10
Weatherproof:	IP66 compliance
Dimensions:	H: 5.9 in. (150 mm); Diam: Ø6.1 in. (154 mm) Dome diameter: 4.3 in. (110 mm)
Weight:	3.5 lb (1.6 kg)

## Environmental

Operating Temperature Range:	-4 to 140° F (-20 to 60° C) without heater accessory. V660-HAH lowers temperature range to -40° F/-40° C.
Operating Humidity Range:	Up to 90% relative, non-condensing.



Data Sheet Number: V249-33

Vicon Data Sheet Part Number: 8009-7249-33-04

Dated: 8/2019

Specifications subject to change without notice.

Vicon and its logo is a registered trademarks of Vicon Industries Inc.

Copyright © 2019 Vicon Industries Inc. All rights reserved.

Cruiser is a trademark of Vicon Industries Inc.

Starvis is a trademark of Sony Corporation.