



Product at a Glance

- ▶ Day/Night, IR illumination and Wide Dynamic Range models available
- ▶ On-screen menus with innovative joystick control make setup and operation easy
- ▶ Privacy masking
- ▶ 700 TV lines; 750 TV lines (WDR and IR models)
- ▶ 3D Digital Noise Reduction (WDR and IR models)
- ▶ HLC (High Light Compensation)
- ▶ In-ceiling, surface or wall (with optional mount) mounting
- ▶ Easy to install and set up
- ▶ IP66 rated ingress protection; IK10 rated impact protection

The V661D-1 Series of Indoor/Outdoor Camera Domes offer a compact, domed housing incorporating a fixed camera and lens combination. They are configured for in-ceiling or surface-mount installation. Day/Night, Infrared Illumination (IR) and WDR models are offered in NTSC and PAL versions.

Camera and Optics Provide Outstanding Performance and Value

The V661D-1 Series includes a 2.8-12 mm varifocal lens that provides superb sharpness and excellent sensitivity. All models utilize the 1/3-inch Sony® Super HAD™II CCD device with a resolution of 700 or 750 TV lines (model dependant).

The WDR and IR cameras provide advanced 3D digital noise reduction, which significantly reduces motion blur during low light conditions and greatly reduces video noise. This improves image quality, minimizes video interference and triggering of false alarms and provides a better compression ratio, which decreases storage requirements. The day/night camera provides 2D DNR with an ICR filter for excellent performance in low-light conditions. The WDR model improves detail in bright and low light areas of the image.

The cameras provide motion detection, backlight compensation, sidelight compensation and automatic white balance.

Durable Construction and Easy Installation

The IP66 rated cameras are constructed of plastic with a smoked high-impact polycarbonate plastic dome. Tamper-resistant screws make the unit resistant to vandalism. The enclosure and dome are rated IP66 for ingress protection and IK10 for impact protection. The cameras may be mounted on a wall, ceiling or a standard 4 x 4 electrical box.

The cameras are designed for easy installation and setup. A removable housing ring enables the cameras to be easily mounted in a ceiling without the need for an adapter kit. Built-in locking flaps provide a simple, yet secure way to mount the camera in minutes. A wall mounting accessory is also available for pendant style mounting.

The extensive on-screen display menus allow for set up of white balance, AGC, backlight compensation, exposure, titling, privacy masks and many other functions.

V661D-1

SPECIFICATIONS

Camera and Optics

	Model Numbers		
	V661D-312D-1	V661D-312IR-1	V661D-312N-1
Type:	WDR	IR*	Day/Night
Image Device:	1/3-inch Super HADII 960H CCD		1/3-inch CCD
Picture Elements:	NTSC: 1028 (H) x 508 (V), 518,000 pixels PAL: 1028 (H) x 596 (V), 608,000 pixels		NTSC: 1020 (H) x 508 (V), 518,000 pixels PAL: 1020 (H) x 596 (V), 608,000 pixels
Scanning System:	2:1 interlace		
Scanning Frequency:	NTSC: 15.734 KHz (H) x 60 Hz (V) PAL: 15.625 KHz (H) x 50 Hz (V)		
Synchronization:	Internal/Line Lock		Internal
Shutter Speed:	NTSC: 1/60-1/100,000 sec/PAL: 1/50-1/100,000 sec		
Horizontal Resolution:	750 TV lines color		700 TV lines color
Sensitivity:	Color: 0.1 lux B&W: 0.01 lux Slow Shutter: 0.001 lux	Color: 0.1 lux B&W: 0 lux IR On @f/1.2 50 IRE	Color: 0.1 lux B&W: 0.04 lux @f/1.2 50 IRE
Video Output:	1.0 V p-p @75 ohms, composite		
S/N Ratio:	>50 dB (AGC off)		
Camera Control:	RS-485		OSD Joystick
Autoiris Control:	DC/Manual		DC/Manual
Brightness:	0-255		
Backlight Compensation:	Off/BLC/HLC		
Automatic Gain Control (AGC):	6 - 44.8 dB		Selectable: Off, Low, Middle, High
Dynamic Range:	Low/Mid/High/Off		D-WDR (On/Off)
Sense Up:	Off/Auto		N/A
Digital Noise Reduction:	2DNR, 3DNR; gain adjust		2D DNR; On/Off
White Balance:	AWC/ATW/Manual/Push		ATW1/ATW2/AWC-Set/Manual
Privacy Mask:	15 programmable zones (tilt, color, transparency, mosaic)		8 programmable zones (16 colors)
Gamma:	N/A		CRT/LCD/User (0.45-1.0)
Side Light Compensation:	N/A		Lens shading On/Off (0-255)
Dead Pixel Compensation:	Defect detect; Auto/Manual; 64 points		Auto
Day/Night Black and White	Auto/Color/B&W		Burst: On/Off IR Smart: On/Off IR Level: Low/High
Digital Zoom:	Off/0-x255 EZoom		N/A
Lens:			
Focal Length:	2.8-12 mm		
Aperture:	f/1.2 - 360 varifocal		
Field of View:	2.8 mm: 119.9° H 12 mm: 28.8° H		

* IR model features IR illumination (30 LEDs) for use in no-light environments. Illuminated distance up to 98.4 feet (30 m).

Data Sheet Number: V229-01

Vicon Data Sheet Part Number: 8009-7229-01-00

Dated: 10/2015

Specifications subject to change without notice.

Vicon and its logo are registered trademarks of Vicon Industries Inc.

Copyright © 2015 Vicon Industries Inc. All rights reserved.

V661D-1

SPECIFICATIONS

Electrical

	Model Numbers		
	V661D-312D-1	V661D-312IR-1	V661D-312N-1
Input Voltage:	12 VDC \pm 10% or 24 VAC \pm 10%		
Current:	0.17 A @ 12 VDC max.; 0.18 A @ 24 VAC max.	0.43 A @ 12 VDC max.; 0.44 A @ 24 VAC max LED On	0.21 A @ 12 VDC max.; 0.2 A @ 24 VAC max.
Power Consumption:	2.2 W maximum	5.2 W maximum	2.5 W maximum
Connectors:	Power: 2-pin connector Video: BNC on pendant cable RS-485: 2-pin connector		Power: 2-pin connector Video: BNC on pendant cable
Certifications:	UL; CE; FCC, Class A; IP66; IK10		

Operational

Control Display:	On-screen, menu-driven system allowing full configuration of the camera.		
Tilt and Horizontal Adjustment:	Pan, 360°; tilt, 90° from vertical and rotation about its axis (roll/azimuth).		
Lens Adjustment:	Focus: focus lever screw Zoom: zoom lever screw		
Motion Detection:	On/Off (Set window, All Set, All Clear, Sensitivity, Show Indicator, Delay Out)	On/Off (4 area selectable)	
Titling:	On/Off, alphanumeric character set, up to 8 characters		
Effects:	V-Flip/Mirror/Rotate/Neg or Pos/Freeze/Sharpness	Mirror/Neg/Sharpness/Contrast/ Parking Line	

Environmental

Operating Temperature Range:	14 to 122° F (-10 to 50° C)
Operating Humidity Range:	Up to 90% relative, non-condensing.

Warranty

3 years parts and labor

Plastic construction with polycarbonate plastic dome and black security mask. Rated for IP66 and IK10.

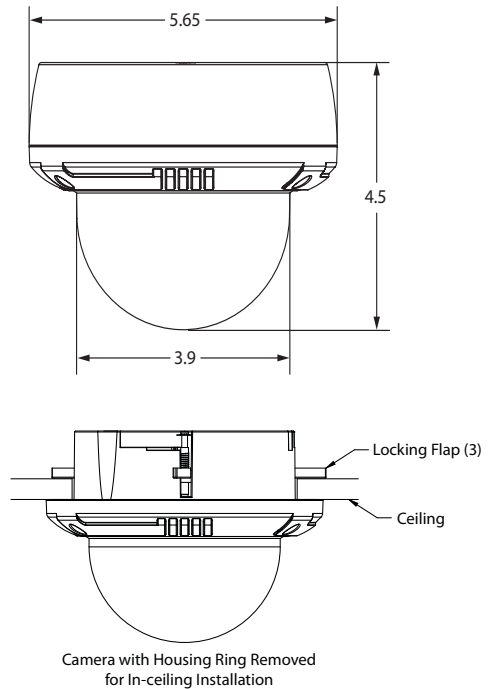
Surface or in-ceiling mounting including mounting to a standard 4 x 4 or 4 x 2 electrical box. Simply remove housing for in-ceiling or electrical box mounting. Wall mounting with optional pendant style mount.

Housing Diameter: 5.65 inches (143.4 mm)

Dome Diameter: 3.8 inches (99 mm)

Height: 4.5 inches (114 mm)

Weight: 1.16 lb. (0.53 kg)





Ordering Information

Description	Model Number
Wide Dynamic Range indoor/outdoor dome camera. 1/3-inch format with DNR and 750 TV line resolution. 12 VDC or 24 VAC.	V661D-312D-1
IR indoor/outdoor dome camera. 1/3-inch format with DNR and 750 TV line resolution. 12 VDC or 24 VAC.	V661D-312IR-1
Day/Night indoor/outdoor dome camera. 1/3-inch format with DNR and 700 TV line resolution. 12 VDC or 24 VAC.	V661D-312N-1

For PAL models add a -P to the Model Number. For example: V661D-312D-1-P.

Mounting Accessory

Description	Model Number
 <p>Wall-mount arm for camera domes.</p>	V660-HDB243
 <p>Allows the camera dome to be mounted on a 4 x 4 electrical box with a neat look</p>	V660-TRIM