

V661D-Series Indoor/Outdoor Analog Camera Dome



- Day/Night, IR illumination and Wide Dynamic Range models available
- On-screen menus with innovative joystick control make setup and operation easy
- Privacy masking
- 600 TV lines
- 3D Digital Noise Reduction (WDR and IR models)
- HLC (High Light Compensation)
- In-ceiling, surface or wall (with optional mount) mounting
- Easy to install and set up
- IP66 rated ingress protection; IK10 rated impact protection

The V661D Series of Indoor/Outdoor Camera Domes offer a compact, domed housing incorporating a fixed camera and lens combination. They are configured for in-ceiling or surface-mount installation. Day/Night, Infrared Illumination (IR) and WDR models are offered in NTSC and PAL versions.

Camera and Optics Provide Outstanding Performance and Value

The V661D Series includes a 2.8-12 mm varifocal lens that provides superb sharpness and excellent sensitivity. All models utilize the 1/3-inch Sony® Super HAD™II CCD device with a resolution of 600 TV lines.

The WDR and IR cameras provide advanced 3D digital noise reduction, which significantly reduces motion blur during low light conditions and greatly reduces video noise. This improves image quality, minimizes video interference and triggering of false alarms and provides a better compression ratio, which decreases storage requirements. The day/night camera provides 2D DNR with an ICR filter for excellent performance in low-light conditions. The WDR model improves detail in bright and low light areas of the image.

The cameras provide motion detection, backlight compensation, sidelight compensation and automatic white balance. Digital image stabilization (WDR and IR models) provides a stable image in a variety of conditions for excellent recording and playback.

Durable Construction and Easy Installation

The IP66 rated cameras are constructed of plastic with a smoked high-impact polycarbonate plastic dome. Tamper-resistant screws make the unit resistant to vandalism. The enclosure and dome are rated IP66 for ingress protection and IK10 for impact protection. The cameras may be mounted on a wall, ceiling or a standard 4 x 4 electrical box.

The cameras are designed for easy installation and setup. A removable housing ring enables the cameras to be easily mounted in a ceiling without the need for an adapter kit. Built-in locking flaps provide a simple, yet secure way to mount the camera in minutes. A wall mounting accessory is also available for pendant style mounting.

The extensive on-screen display menus allow for set up of white balance, AGC, backlight compensation, exposure, titling, privacy masks and many other functions.

Camera and Optics

| | Model Numbers | | |
|--------------------------------------|--|-------------|---|
| | V661D-312D | V661D-312IR | V661D-312N |
| Type: | WDR | IR* | Day/Night |
| Image Device: | 1/3-inch Sony Super HAD II CCD | | |
| Picture Elements: | NTSC: 811 (H) x 508 (V), 410,000 pixels PAL: 795 (H) x 596 (V), 470,000 pixels | | |
| Scanning System: | 2:1 interlace | | |
| Scanning Frequency: | NTSC: 15.734 KHz (H) x 60 Hz (V) PAL: 15.625 KHz (H) x 50 Hz (V) | | |
| Synchronization: | Internal/Line Lock | | Internal |
| Shutter Speed: | NTSC: 1/60-1/100,000 sec/PAL: 1/50-1/100,000 sec | | |
| Horizontal Resolution: | 600 TV lines color | | |
| Sensitivity: | Color: 0.014 fc (0.14 lux) with f/1.2 lens at 30 IRE B&W: 0.003 fc (0.03 lux) with f/1.2 lens at 30 IRE IR LEDs On: 0 fc (0 lux) with f/1.2 lens at 30 IRE | | Color: 0.01 fc (0.1 lux) B&W: 0.004 fc (0.04 lux) |
| Video Output: | 1.0 V p-p @75 ohms, composite | | |
| S/N Ratio: | >50 dB (AGC off, Sense Up off) | | >50 dB (AGC off) |
| Camera Control: | RS-485 | | N/A |
| Auto Iris Control: | DC/ELC | | DC/Manual |
| Brightness: | 0-99 | | 0-255 |
| Backlight Compensation: | On/Off | | Off/BLC/HLC |
| Automatic Gain Control (AGC): | Selectable: Off, Low, Middle, High | | |
| Dynamic Range: | On/Off (0-20) | | D-WDR (On/Off) |
| Sense Up: | Off/(x2 - x256) | | N/A |
| Digital Noise Reduction: | 3D DNR; Selectable: Off, Low, Middle, High. | | 2D DNR; On/Off |
| Image Stabilization: | On/Off (Digital Image Stabilization) | | N/A |
| White Balance: | AWC/ATW/Manual/Push | | ATW1/ATW2/AWC-Set/Manual |
| Privacy Mask: | 6 programmable zones (polygonal mosaic) | | 6 programmable zones (16 colors) |
| Gamma: | User/0.45/0.6/1 | | CRT/LCD/User (0.05-1.0) |
| Side Light Compensation: | On/Off (0-50) | | Lens shading On/Off (0-255) |
| Dead Pixel Compensation: | Off/Auto (White, Black, DPC Level) | | Auto |
| Day/Night Black and White | N/A | | Burst: On/Off IR Smart: On/Off IR Level: On/Off |
| Digital Zoom: | 3:1 zoom. D-PTZ support enables pan and tilt functionality within zoomed scene. | | N/A |

* IR model features IR illumination (30 LEDs) for use in no-light environments. Illuminated distance up to 98.4 feet (30 m).

Data Sheet Number: V229-00
Dated: 12/2011

Vicon Data Sheet Part Number: 8009-7229-00-06
Specifications subject to change without notice.

Vicon and its logo are registered trademarks or trademarks of Vicon Industries Inc.
Sony and Super HAD are registered trademarks or trademarks of Sony Corporation.
Copyright © 2011 Vicon Industries Inc. All rights reserved.

Lens:

| | |
|-----------------------|-----------------------------------|
| Focal Length : | 2.8-12 mm |
| Aperture: | f/1.2 |
| Field of View: | 2.8 mm: 94.2° H 12 mm: 26.2° H |

Electrical

| | Model Numbers | | |
|---------------------------|--|---|---|
| | V661D-312D | V661D-312IR | V661D-312N |
| Input Voltage: | 12 VDC ±10% or 24 VAC ±10% | | |
| Current: | 0.33 A @ 12 VDC max.; 0.17 A @ 24 VAC max. | 0.42 A @ 12 VDC max.; 0.35 A @ 24 VAC max. | 0.21 A @ 12 VDC max.; 0.2 A @ 24 VAC max. |
| Power Consumption: | 4 W maximum | 5 W maximum | 2.5 W maximum |
| Connectors: | Power: 2-pin connector Video: BNC on pendant cable RS-485: 2-pin connector | | Power: 2-pin connector Video: BNC on pendant cable |
| Certifications: | UL, CE, FCC, Class A, IP66, IK10 | | |

Operational

| | | |
|--|---|--|
| Control Display: | On-screen, menu-driven system allowing full configuration of the camera. | |
| Tilt and Horizontal Adjustment: | Pan, 360°; tilt, 90° from vertical and rotation about its axis (roll/azimuth). | |
| Lens Adjustment: | Focus: focus lever screw Zoom: zoom lever screw | |
| Motion Detection: | On/Off (Set window, All Set, All Clear, Sensitivity, Show Indicator, Delay Out) | On/Off (4 area selectable) |
| Titling: | On/Off, alphanumeric character set, up to 8 characters | |
| Effects: | V-Flip/Mirror/Rotate/Neg or Pos/Freeze/Sharpness | Mirror/Neg or Pos/Freeze/Sharpness/Contrast/Parking Line |

Environmental

| | |
|-------------------------------------|-------------------------------------|
| Operating Temperature Range: | 14 to 131° F (-10 to 55° C) |
| Operating Humidity Range: | Up to 90% relative, non-condensing. |

Warranty

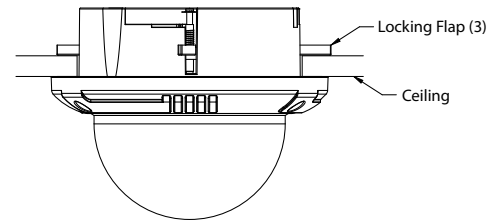
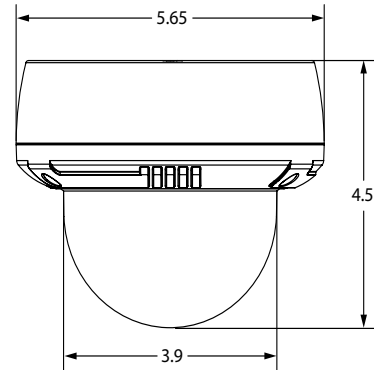
3 years parts and labor

Ordering Information

| Description | Model Number |
|---|--------------|
| Wide Dynamic Range indoor/outdoor dome camera. 1/3-inch format with DNR and 600 TV line resolution. 12 VDC or 24 VAC. | V661D-312D |
| IR indoor/outdoor dome camera. 1/3-inch format with DNR and 600 TV line resolution. 12 VDC or 24 VAC. | V661D-312IR |
| Day/Night indoor/outdoor dome camera. 1/3-inch format with DNR and 600 TV line resolution. 12 VDC or 24 VAC. | V661D-312N |



For PAL models add a -P to the Model Number. For example: V661D-312D-P.

- Plastic construction with polycarbonate plastic dome and black security mask. Rated for IP66 and IK10.
- Surface or in-ceiling mounting including mounting to a standard 4 x 4 or 4 x 2 electrical box. Simply remove housing for in-ceiling or electrical box mounting. Wall mounting with optional pendant style mount.
- Housing Diameter: 5.65 inches (143.4 mm)
- Dome Diameter: 3.9 inches (100 mm)
- Height: 4.5 inches (114 mm)
- Weight: 0.99 lb. (0.45 kg)



Camera with Housing Ring Removed for In-ceiling Installation

Mounting Accessory

| | Description | Model Number |
|---|---|--------------|
|  | Wall-mount arm for camera domes. | V660-HDB243 |
|  | Allows the camera dome to be mounted on a 4 x 4 electrical box with a neat look | V660-TRIM |