



Product at a Glance

- ▶ Day/Night, IR illumination and Wide Dynamic Range
- ▶ Privacy masking
- ▶ 700 TV lines
- ▶ 42 LEDs provide illumination up to 131 feet (40 m)
- ▶ 2D Digital Noise Reduction
- ▶ Ceiling or wall mounting
- ▶ Easy to install and set up
- ▶ Choice of lens options

The V660B series of weatherproof, bullet cameras offers a durable fixed camera with integrated IR illumination. The camera may be mounted on a wall or ceiling. Day/Night, Infrared Illumination (IR) and WDR are standard as is 2D DNR. NTSC and PAL versions are available.

Camera and Optics Provide Outstanding Performance and Value

The V660B includes an integral camera and lens. A choice of 2.8-12 mm or 5-50 mm varifocal lens provides superb sharpness and excellent sensitivity. The camera has a 1/3-inch color Sony® Super HAD™ II CCD device with a resolution of 700 TV lines.

Built in 2D digital noise reduction improves image quality, minimizes video interference and triggering of false alarms and provides a better compression ratio, which decreases storage requirements. WDR improves detail in bright and low light areas of the image.

Ordering Information

Description	Model Number
Outdoor Bullet camera. 2.8-12 mm integral varifocal lens, 1/3-inch day/night, WDR, IR camera with 700 TV Line resolution. 12 VDC/24 VAC.	V660B-312IR-1
Outdoor Bullet camera. 2.8-12 mm integral varifocal lens, 1/3-inch day/night, WDR, IR camera with 700 TV Line resolution. 12 VDC/24 VAC. PAL version.	V660B-312IR-1-P
Outdoor Bullet camera. 5-50mm integral varifocal lens, 1/3-inch day/night, WDR, IR camera with 700 TV Line resolution. 12 VDC/24 VAC.	V660B-550IR
Outdoor Bullet camera. 5-50 mm integral varifocal lens, 1/3-inch day/night, WDR, IR camera with 700 TV Line resolution. 12 VDC/24 VAC. PAL version.	V660B-550IR-P

Durable Construction and Easy Installation

The V660B is constructed of aluminum with an IP66 rating. Tamper-resistant screws make the unit resistant to vandalism. The cameras may be mounted on a wall or ceiling.

The cameras are designed for easy installation and setup. The extensive on-screen display menus allow set up of white balance, AGC, backlight compensation, exposure, titling, privacy masks and many other functions. All wiring is routed through the mount.

The included camera mount is adjustable, allowing for adjustment of pan) and tilt. The lens zoom and focus can be easily manually adjusted.

V660B Bullet Series

SPECIFICATIONS

Camera and Optics

Image Device:	1/3-inch Sony HAD II CCD
Picture Elements:	NTSC: 1020 (H) x 508 (V), 518,000 pixels PAL: 1028 (H) x 596 (V), 612,000 pixels
Scanning Frequency:	NTSC: 15.734 KHz (H) x 60 Hz (V) PAL: 15.625 KHz (H) x 50 Hz (V)
Scanning System:	2:1 interlace
Synchronization:	Internal
Shutter Speed:	NTSC: 1/60-1/10,000 sec PAL: 1/50-1/10,000 sec
Resolution:	700 TV lines
Sensitivity:	0.15 lux color 0 lux BW with LEDs on
Video Output:	1.0 V p-p @75 ohms, composite.
S/N Ratio:	50 dB (AGC off).
Camera Control:	Internal OSD
IR LED/Sensor:	42 LEDs/1 sensor each
IR Distance:	Up to 131 feet (40 m)
Dynamic Range:	Digital WDR
Backlight Compensation:	BLC/HLC/Off
Privacy Mask:	4 programmable zones
White Balance:	ATW/PUSH (AWB)/Manual/Anti Color Rolling/ Users/PUSH LOCK
Automatic Gain Control (AGC):	Selectable: Off/On
Exposure:	Autoiris/Autoiris + Electronic Shutter
Digital Noise Reduction:	Off/Y (luminance, 0-15)/C (chrominance, 0-15)/Y, C
Focal Length :	Varifocal: 2.8-12 mm and 5-50 mm
Aperture:	f/1.4
Field of View:	2.8 mm: 91° H, 74.7° V; 12 mm: 28° H, 21.2° V 5 mm: 51.5° H, 38.5° V; 50 mm: 6.5° H, 5.0° V

Operational

Control Display:	On-screen, menu-driven system allowing full configuration of the camera
Lens Adjustment:	manual
Motion Detection:	4 areas. On/Off. Adjustable size and sensitivity.
Day/Night:	Color/B&W/Auto
Picture Adjustment:	Mirror, brightness, contrast, sharpness, hue, gain
Titling:	Alpha-numeric character set. 52 characters per line

Electrical

Input Voltage:	12 VDC or 24 VAC
Current:	550 mA
Power Consumption:	6 W
Connectors:	Power: 2-pin screw terminal Video: BNC on pendant cable
Certifications:	CE, FCC Class A, UL

Mechanical

Application:	Indoor/Outdoor. Ceiling or wall mount
Dimensions:	Height: 3.9 inches (98.4 mm) Length (with mount): 11.8 inches (300 mm) Diameter: 3.4 inches (87 mm)
Weight:	2.2 lb (1.0 kg)
Construction:	Aluminum. Rated IP66.

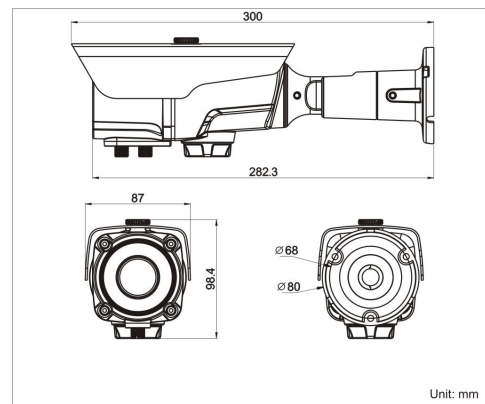
Environmental

Operating Temperature Range:	14 to 122° F (-10 to 50° C)
Operating Humidity Range:	Up to 96% relative, non-condensing

Warranty

3 years parts and labor

Dimensional Data



Data Sheet Number: V230-10

Dated: 12/2015

Vicon Data Sheet Part Number: 8009-7230-10-00

Specifications subject to change without notice.

Vicon and its logo are registered trademarks or trademarks of Vicon Industries Inc. Sony and HAD are registered trademarks or trademarks of Sony Corporation. Copyright © 2015 Vicon Industries Inc. All rights reserved.