

Cruiser™ Vandal PTZ Domes



- 580 TVL high-resolution Sony EXview HAD CCD
- 22X optical and 16X digital zoom
- 0.5 lux color/0.001 lux B&W (slow shutter)
- IP66 vandal-resistant aluminum housing
- Privacy masks
- Vicon and Pelco protocols (RS-485)

Description

The Cruiser™ S660V outdoor PTZ camera dome is available in two versions. Both versions include the same high resolution camera/lens combination that provides analog video transmission over coaxial cable. One version also includes a heater and sunshield for installation in those environments that require extra protection from the elements, model S660VW.

Construction and Installation

The S660V is designed for easy installation. The dome can be surface mounted or it can be pendant mounted when used with a pendant mounting accessory.

The lower dome is constructed of impact-resistant, polycarbonate and is secured by tamper-proof screws, providing anti-vandal security. Several mounting accessories are available to fit almost any installation need.

Camera Optics and PTZ Features

The S660V includes an integral camera and lens. A 3.9-85.8 mm varifocal lens with an optical 22X zoom provides superb sharpness and excellent sensitivity. The day/night camera is an EXview™ HAD CCD device with a digital 16X zoom and resolution of 580 TV lines. Selectable Wide Dynamic Range (WDR) for improved images in high-contrast environments; DNR corrects imperfections in the image to provide a clearer image.

The camera provides a full 360° continuous rotation and a 0° to 180° tilt range. 240 programmable presets are provided, as well as 8 tours, 8 patterns (autotours) and 16 auto scans (sectors). Autopan capability is provided, as are one alarm input and one alarm output.

A multi-language OSD menu system allows setting many of the camera features, including motion detection, 8 privacy zones and titling.

Video Transmission

Video Output Impedance:	1.0 V p-p. 75 ohms composite.
Control Protocol Formats:	RS-485 protocol; built-in RS-485 receiver. Baud Rate 2400 - 19.2k bps.

Electrical

Input Voltage:	24 VAC or 12 VDC \pm 10% for dome. 24 VAC \pm 10% for heater and fan.
Current:	0.5 A @ 24 VAC. 1.9 A @ 24 VAC with heater and fan.
Power Consumption:	12 W for dome only. 45 W with heater and fan.
Maximum Power Cable Distance:	See Table.
Certifications:	CE; FCC Class A. International Protection (IP) Rating: IP66.

Operational

Pan Range:	360° continuous.
Pan Speed:	Preset & Manual: 380°/sec, max.
Tilt Range:	0 - 180°, digital flip.
Tilt Speed:	Preset: 380°/sec; Manual: 300°/sec, max.
Variable Speed:	0.1°/sec to 380°/sec.
Communication Protocol:	RS-485. Vicon, Pelco-P, Pelco-D, Fastrax II, Fastrax IIE. DIP switch selectable.
Preset Capability*:	240 programmable (59 with Vicon keypad).
Tour Capabilities:	8 tours available. 42 functions per tour.
Pattern* (Autotour) Capabilities:	8 patterns available with PTZ dwell time up to 200 sec (4 with Vicon keypad).
Alarm Capabilities:	1 alarm input, programmable NC/NO. 1 (5VTTL) output.
Control Display:	On-screen, menu-driven system allowing full configuration of the dome.
Auto Scan (Sectors)*:	16 programmed angles at programmable speeds (8 with Vicon keypad); 1 autopan.
Multi-Language Menu:	English, French, German, Italian, Spanish, Polish, Portuguese.
Camera Titling:	On/Off, 6 characters per title.
Auto Baud:	Auto baud detection in RS-485 mode. 2400, 4800, 9600, 19,200 bps baud rates supported. DIP switch selectable.

* These numbers will vary depending on the keypad used.

Camera and Optics

Image Device:	1/4-inch Sony EXview day/night HAD CCD.
Sensitivity:	Color: 0.05 fc (0.5 lux). B&W, slow shutter: 0.0001 fc (0.001 lux), 30 IRE.
Horizontal Resolution:	580 TV lines.
S/N Ratio:	Greater than 50 dB.
Synchronization:	Internal/Line Lock (external), selectable.
Gain Control:	Automatic/Manual.
Day/Night:	True day/night (IR cut filter). Auto/Color/BW/Global, selectable.
Backlight Compensation:	On/Off.
Wide Dynamic Range:	On/Off.
Iris Control:	Automatic/Manual.
Digital Noise Reduction:	3D/2D.
Video Focus:	Automatic/Manual.
White Balance:	Automatic/Manual; Red/Blue adjustable.
Privacy Masks:	8.
Motion Detection:	Yes.
Digital Slow Shutter:	On/Off.
Electronic Shutter Speed:	1/60 (1/50, PAL) - 1/100,000.
Digital Zoom:	16X.
Focal Length:	3.9 - 85.8 mm
Aperture:	f/1.6 - f/3.7.
Minimum Object:	3.3 ft (1 m).
Optical Zoom Ratio:	22X.
Horizontal Angle of View:	49.5° wide, 2.4° tele.

Mechanical

Mounting:	Surface (wall or ceiling); "W" version requires mounting accessory.
Construction:	Aluminum, steel and plastic; tamperproof screws.
Dimensions:	Without Sunshield: H: 5.5 in. (140 mm); diam: 6.1 in. (154 mm). With Sunshield: H: 8.1 in. (205 mm); diam: 7.3 in. (186 mm). Dome diameter: 4.3 in. (110 mm).
Weight:	3.3 lb (1.5 kg); 4.6 lb (2.2 kg) with heater and sunshield.
Compliance:	IP66.

Environmental

Operating Temperature Range:	14 to 122° F (-10 to 50° C). -22 to 122° F (-30 to 50° C) with heater.
Operating Humidity Range:	Up to 90% relative, non-condensing.

Data Sheet Number: V249

Dated: 06/2012

Vicon Data Sheet Part Number: 8009-7249-00-00

Specifications subject to change without notice.




Vicon and its logo are registered trademarks and Cruiser is a trademark of Vicon Industries Inc. EXview is a trademark of Sony Corporation.
Copyright © 2012 Vicon Industries Inc. All rights reserved.

Descriptions and Models



Housing	Mount	Model
Outdoor	Surface (Wall or Ceiling Mount)	S660V (NTSC)
		S660V-P (PAL)
Outdoor, with heater and sunshield	Requires mounting accessory	S660VW (NTSC)
		S660VW-P (PAL)

Accessories

Mounts for S660V

Description	Model Number
 Indoor or outdoor wall-mount arm	V660-HDB243
 Pipe adapter	V660-HDA202
 In-ceiling mount	V660-HCS256
 Outdoor Wall/Ceiling Pendant Arm	V660-HVPWCB2
 Corner Mount	V660-HCM150
 Pole Adapter	V660-HCM151

Mounts for S660VW

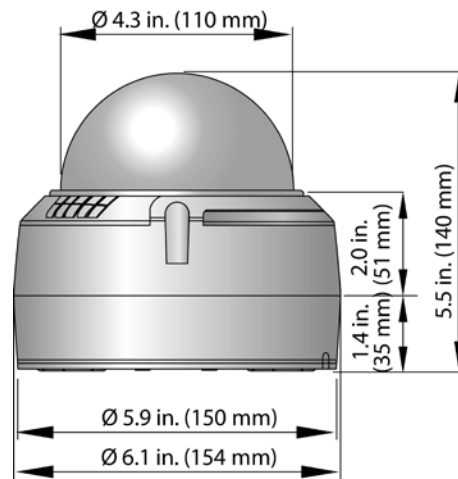
Description	Model Number
 Outdoor pendant wall-mount arm with electrical connection box	V660-HDB024
 Outdoor pendant wall-mount arm	V660-HDB242

Maximum Power Cable Distance (@24 VAC)

Wire Size (AWG)	Distance ft (m)	
	Without Heater	With Heater/Fan
20	385 (117)	101 (31)
18	614 (187)	162 (49)
16	978 (298)	257 (78)
14	1550 (472)	408 (124)
12	2469 (753)	650 (198)

Dimensional Drawings

S660V



S660VW

