

V660 Series Analog Camera Dome Accessories

Wall-Mount Arm V660-HDB243

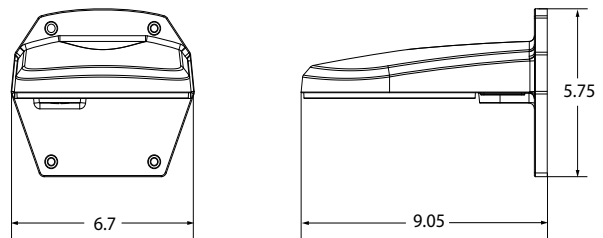


- Wall-mount adapter for indoor and outdoor camera domes
- Die-cast aluminum construction with polyester powder-coat finish
- Maximum load is 11 lb (5 kg)
- 3/4-inch NPT inlet fitting
- Length: 9.05" (230 mm)
- Width: 6.7" (170 mm)
- Height: 5.75" (146 mm)
- Weight: 2.87 lb (1.3 kg)

Application

- V661D-Series Indoor Domes
- V661V and V662V-Series Vandal-Proof Outdoor Domes
- Cruiser™ S660, S660V and SN660V PTZ cameras

Dimensional Data

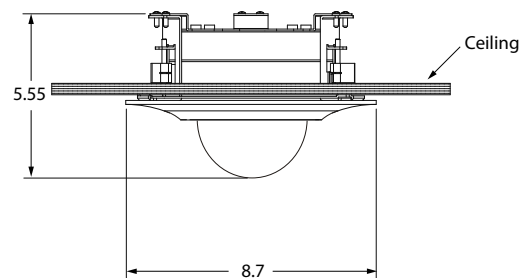


In-Ceiling Kit V660-HCS254



- In-ceiling mounting kit for outdoor camera domes
- Steel and injection-molded plastic
- Maximum load is 1.3 lb (0.6 kg)
- Diameter: 8.7" (220 mm)
- Height: 5.55" (141 mm)
- Weight: 1.1 lb (0.5 kg)

Dimensional Data



Application

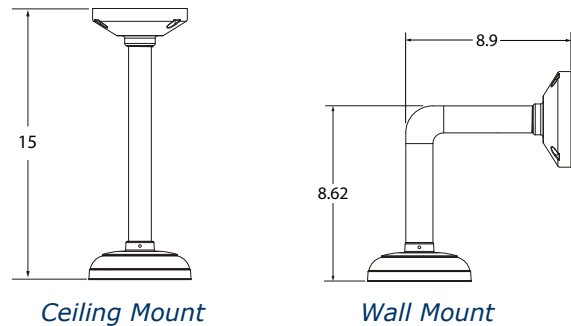
- V661V and V662V-Series Vandal-Proof Outdoor Domes

Wall/Ceiling Mount Kit V660-HVPWCB2



- Wall and ceiling mount for outdoor camera domes
- Aluminum and steel construction
- Maximum load is 11 lb (5 kg)
- 1-inch NPT inlet fitting
- Length (ceiling mount): 15" (381 mm)
- Length (wall mount): 8.62" (219 mm)
- Depth (wall mount): 8.9" (226 mm)
- Weight: 2.6 lb (1.3 kg)

Dimensional Data



Application

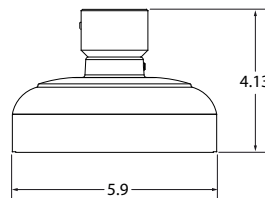
- V661V and V662V-Series Vandal-Proof Outdoor Domes
- Cruiser S660V and SN660V PTZ cameras

NPT Pipe Adapter V660-HDA202



- Converts outdoor domes to pendant mounting
- Die-cast aluminum construction
- 1-1/4-inch NPT inlet fitting
- Height: 4.13" (105 mm)
- Diameter: 5.9" (150 mm)
- Weight: 0.96 lb (0.435 kg)

Dimensional Data



Application

- V661V and V662V-Series Vandal-Proof Outdoor Domes
- Cruiser S660, S660V and SN660V PTZ cameras

Data Sheet Number: V237-00-04
 Dated: 1/2013

Vicon Data Sheet Part Number: 8009-7237-00-04
 Specifications subject to change without notice.

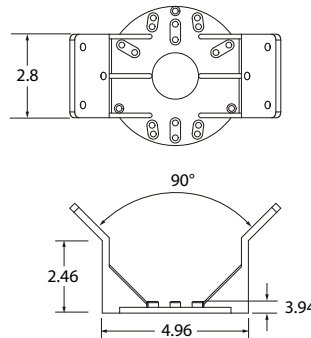
Vicon and its logo are registered trademarks or trademarks of Vicon Industries Inc.
 Cruiser is a trademark of Vicon Industries Inc.
 Copyright © 2013 Vicon Industries Inc. All rights reserved.

Corner-Mount Adapter V660-HCM150



- Used with V660-HVPWCB2
- Die-cast aluminum construction
- Maximum load is 63.5 lb (25 kg)
- Depth: 2.8" (72 mm)
- Width: 4.96" (126 mm)
- Weight: 0.98 lb (0.45 kg)

Dimensional Data



Application

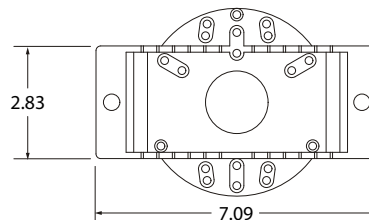
- V661V and V662V-Series Vandal-Proof Outdoor Domes (requires V660-HCM157)
- V660-HDB243 Wall-Mount Arm (requires V660-HCM155)
- V660-HDB242 Wall-Mount Arm (requires V660-HCM154)

Pole-Mount Adapter V660-HCM151



- Used with V660-HVPWCB2
- Die-cast aluminum construction
- Maximum load is 63.5 lb (25 kg)
- Fits pipes with diameters of 2.95" to 5.7" (75 mm to 145 mm)
- Length: 7.09" (180 mm)
- Width: 2.83" (72 mm)
- Weight: 1.64 lb (0.75 kg)

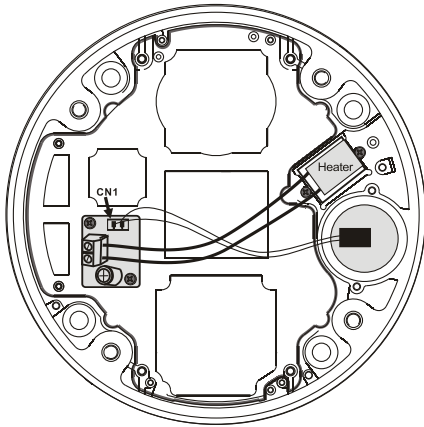
Dimensional Data



Application

- V661V and V662V-Series Vandal-Proof Outdoor Domes (requires V660-HCM157)
- V660-HDB243 Wall Mount Arm (requires V660-HCM155)
- V660-HDB242 Wall-Mount Arm (requires V660-HCM154)

Heater Accessory V660-HT202VF



- Extends low range temperature of camera dome to -22° (-30° C)
- Easily installed at the factory or at a dealer site

Application

- V661V and V662V-Series Vandal-Proof Outdoor Domes

Trim Ring V660-TRIM

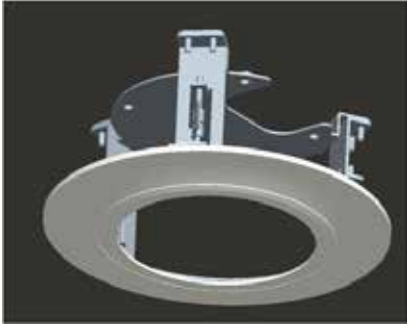


- Allows the camera domes to be mounted on a 4 x 4 electrical box with no gaps, for a neat look
- Easily installed
- Aluminum construction; 0.125 in. (0.03 mm) thick
- 6.25 in. (159 mm) diameter

Application

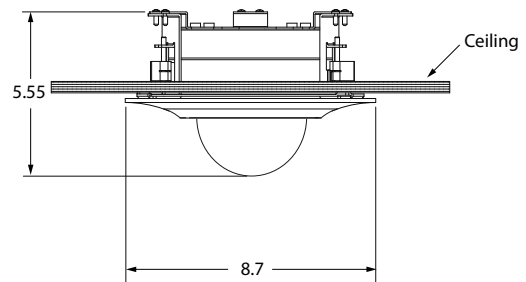
- V661D, V662D, V661V and V662V-Series Camera Domes

In-Ceiling Kit V660-HCS256



- In-ceiling mounting kit for Cruiser PTZ cameras
- Steel and injection-molded plastic
- Maximum load is 1.3 lb (0.6 kg)
- Diameter: 8.7" (220 mm)
- Height: 5.55" (141 mm)
- Weight: 1.1 lb (0.5 kg)

Dimensional Data



Application

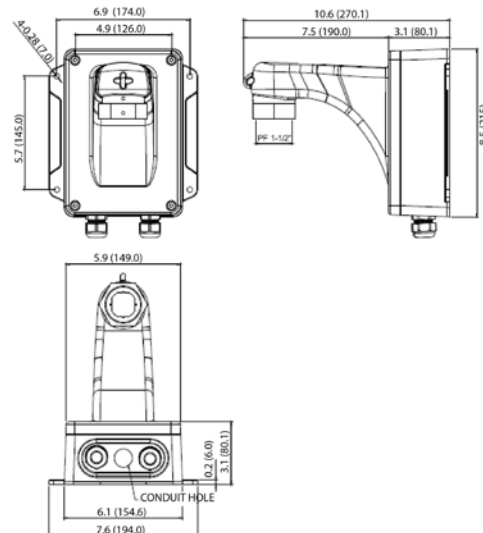
- Cruiser S660V and SN660V Series PTZ Cameras

Pendant-Mount Arm V660-HPB024



- Pendant arm wall mount with 24 VAC termination box
- Provides easy access to connectors
- Steel and aluminum; weatherproof IP66
- Maximum load: 19.8 lb (9.0 kg)
- Depth: 10.6" (270.1 mm)
- Height: 8.5" (215 mm)
- Weight: 5.3 lb (2.4 kg)

in. (mm)



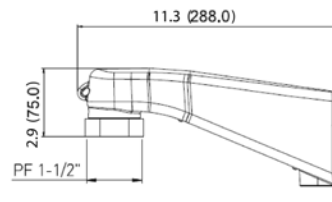
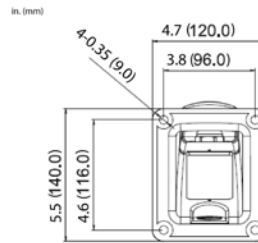
Application

- Cruiser S660VW PTZ Camera

Pendant-Mount Arm V660-HDB242



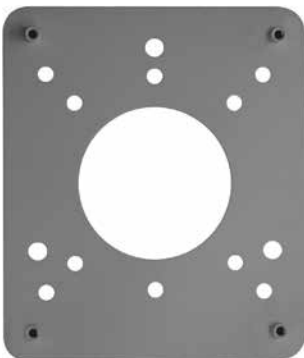
- Pendant arm wall/ceiling mount
- Die cast and aluminum
- Maximum load: 19.8 lb (9.0 kg)
- Depth: 11.3" (288 mm)
- Height: 5.5" (140 mm)
- Weight: 3.97 lb (1.8 kg)



Application

- Cruiser S660VW PTZ Camera

Adapter V660-HCM154



- Allows the pendant arm to be mounted on a corner or pole mount adapter
- Easily installed

Application

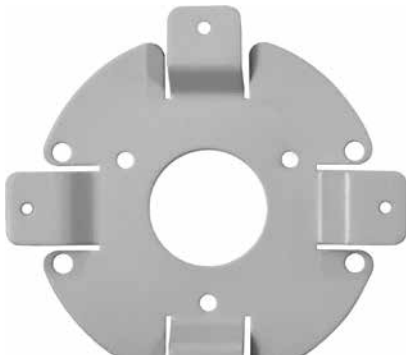
- V660-HDB242, V660-HCM150, V660-HCM151

Adapter V660-HCM155

- Allows the wall arm to be mounted on a corner or pole mount adapter
- Easily installed

Application

- V660-HDB243, V660-HCM150, V660-HCM151

Adapter V660-HCM157

- Allows the V661D/V and V662D/V camera domes to be mounted on a corner or pole mount adapter
- Easily installed

Application

- V661D, V661V, V662D, V662V with V660-HCM150 and V660-HCM151

