



## PRODUCT SPECIFICATION

**MODEL:** V24WM AND V36WM

**PRODUCT CODE:** 1930 AND 1941

**DESCRIPTION:** HEAVY-DUTY WALL MOUNTS

Models V24WM and V36WM Heavy-Duty Wall Mounts are designed to support pan-and tilt drives, scanners, camera/lens combinations, and environmental housings with total camera station load ratings\* of up to 200 pounds (91 kg) for the V24WM and 130 pounds (59 kg) for the V36WM. These industrial indoor/outdoor units are constructed of corrosion protected steel.

\*If used with Model V2400Ah Adjustable Head, load rating is reduced to 100 pounds (45.5 kg).

NOTES	SPEC NO.	REV.	SEC.
SUPERSEDES PRODUCT SPECIFICATION 605-189	605	691	7



**V24WM HEAVY-DUTY WALL MOUNT (WITH V30AH ADJUSTABLE HEAD)**

## ASSOCIATED EQUIPMENT AND ACCESSORIES

**Model V2400CMB Corner Mounting Bracket:** For corner mounting capabilities WITH V24WM AND V36WM. Product Code 1971. Refer to Figure 1.

**Model V24S and V36S Support Struts:** Provide added strength for heavy loads. Product Codes 2260 and 2031, respectively. Refer to Figure 2.

**Model V20A Pole Mounting Adapter:** Accommodates pole diameters from 4 to 10 inches (10 cm to 25 cm). Refer to Product Specification 532.

**Model V2400AH Adjustable Head:** Provides fixed heavy-duty wall mounts with repositioning capabilities. For use with both V24WM and V36WM Wall Mounts. Refer to Product Specification 515.

**Model V30AH Adjustable Head:** Provides extra support for the heaviest loads. For use with both V24WM and V36WM Wall Mounts. Refer to Product Specification 515.

## CONTRACTORS' SPECIFICATION

### 24-INCH HEAVY-DUTY WALL MOUNT

The wall mount shall be a fixed heavy-duty indoor/outdoor unit, 24.0-inches (61 cm) long, be of corrosion-protected steel construction and weigh 12.5lb (5.7 kg). It shall have a load rating of 200 lb (91 kg), fixed position, or 100 lb (45.4 kg) when used with a Model V2400AH adjustable head. The wall mount shall be Vicon's model V24WM or equivalent. Optional adjustable head shall be Vicon's Model V2400AH, Model V30AH or equivalent. Optional corner mounting bracket shall be Vicon's Model V24CMB or equivalent. Optional support strut shall be Vicon's Model V24S or equivalent.

### 36-INCH HEAVY-DUTY WALL MOUNT

The wall mount shall be a fixed heavy-duty indoor/outdoor unit, 36.0-inches (91 cm) long, be of corrosion-protected steel construction and weigh 17.4 lb (7.9kg). It shall have a load rating of 130 lb (59 kg), fixed position, or 100 lb (45.4 kg) when used with Model V2400AH adjustable head. The wall mount shall be Vicon's Model V36WM or equivalent. Optional adjustable head shall be Vicon's Model V2400AH, Model V30AH or equivalent. Optional corner mounting bracket shall be Vicon's Model V24CMB or equivalent. Optional support strut shall be Vicon's Model V36S or equivalent.

Product specifications subject to change without notice.  
Copyright © 1999 Vicon Industries Inc. All rights reserved.

Vicon part number 8006-7605-00-00  
Vicon and its logo are registered trademarks of Vicon Industries Inc.

# TECHNICAL INFORMATION

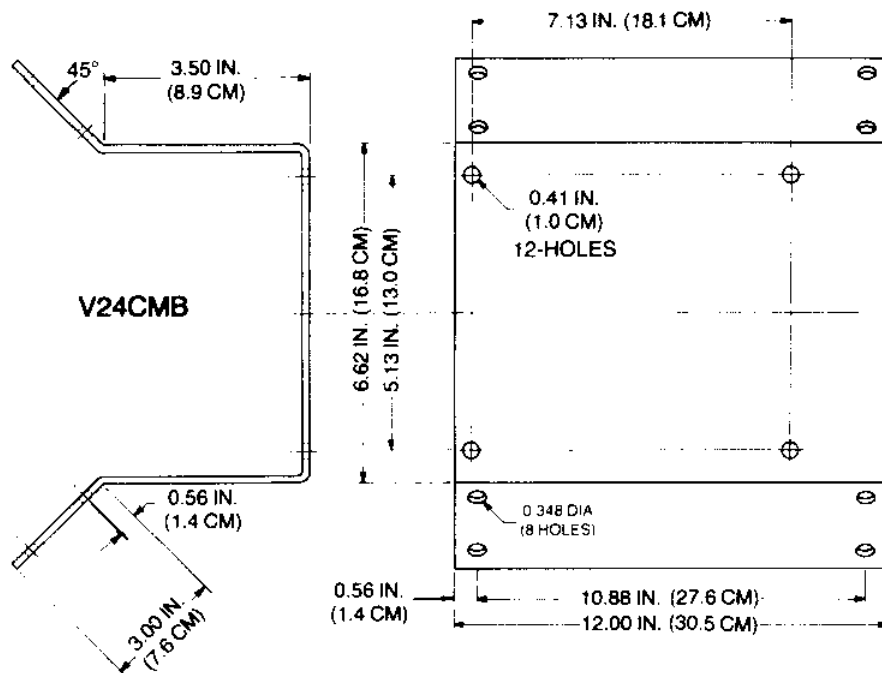
## MECHANICAL

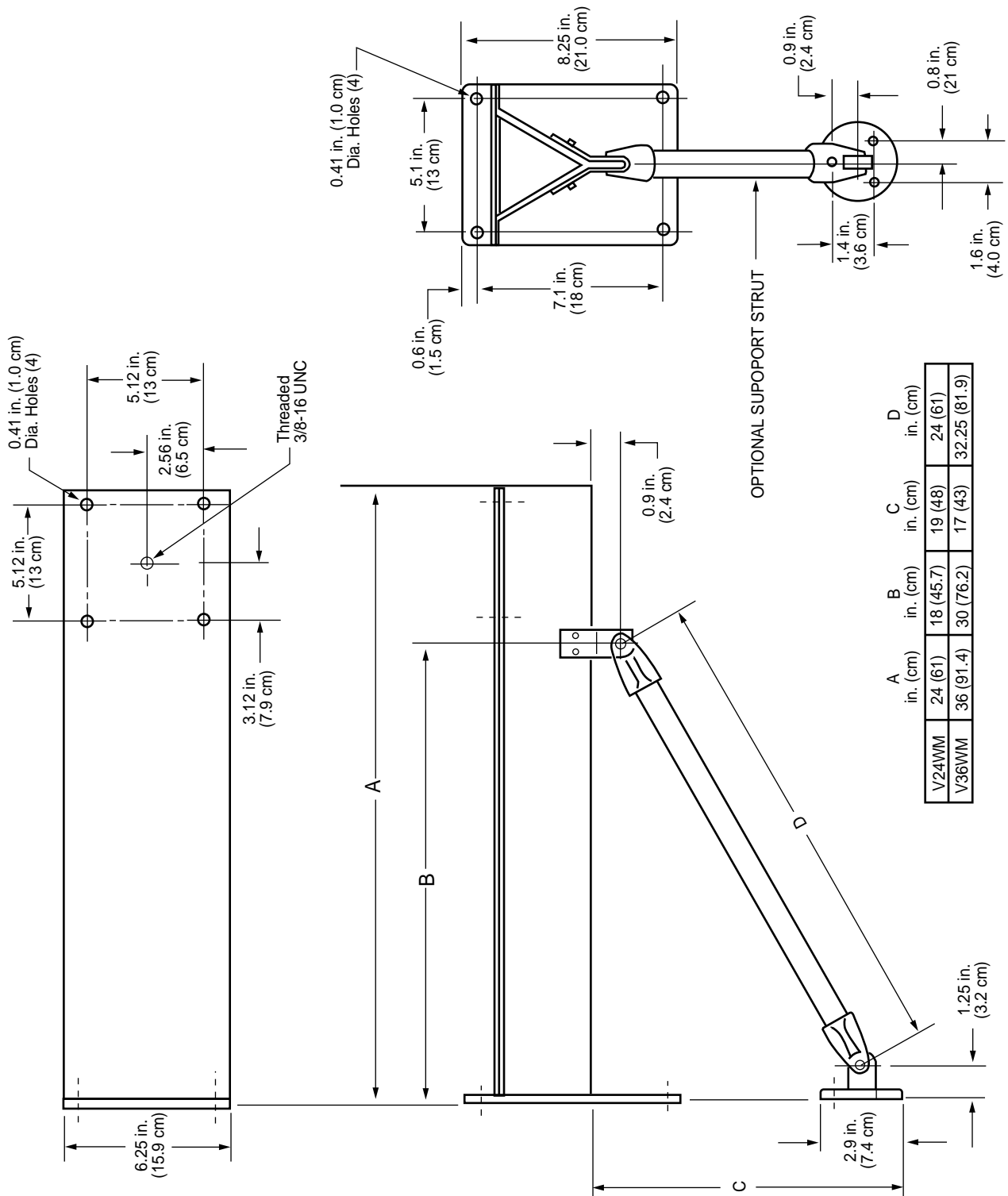
Mounting: Wall.  
 Type: Fixed.  
 Application: Indoor/outdoor.  
 Load Rating: V24WM: 200 lb (91 kg).  
 V36WM: 130 lb (59 kg).

Dimensions: See Figure 2.  
 Weight: See Table 1.  
 Construction: 14-gauge, corrosion-protected steel.  
 Finish: Light gray, smooth enamel.  
 Shipping Data: See Table 1.

**TABLE 1  
WEIGHTS AND SHIPPING INFORMATION**

Model	Weight		Shipping Weight		Shipping Dimensions						Volume	
	lb	kg	lb	kg	Height		Width		Length		cu ft	cu m
					in.	cm	in.	cm.	in.	cm		
V24WM	12.5	5.7	14.3	6.5	6.9	17.5	9.9	25.1	31.0	78.7	1.2	0.03
V36WM	17.4	7.9	19.6	8.9	8.5	21.6	10.6	26.9	36.5	92.7	1.9	0.05
V24S	1.4	0.6	1.8	0.8	3.6	9.1	3.6	9.1	30.0	76.2	0.2	0.006
V36S	1.6	0.7	2.1	0.9	3.6	9.1	3.6	9.1	30.0	76.2	0.2	0.006
V24CMB	8.2	3.7	9.9	4.5	7.8	19.89	11.5	29.2	12.3	31.2	0.6	0.02
V30AH	8.6	3.9	9.8	4.4	7.8	19.89	11.5	29.2	12.3	31.2	0.6	0.02
V2400AH	2.2	1.0	2.7	1.2	5.0	12.7	6.0	15.2	6.5	16.5	0.1	0.003





**Figure 2**  
**W24WM and V36WM Outline Drawing**