



V1410H EExd Camera Housing

- **Constructed entirely of 316L stainless steel**
- **Explosionproof (EExd) for use in ATEX designated hazardous areas (offshore, marine and industrial environments)**
- **Certified for use in Zone 1 and Zone 2, Category 2G (Gas) and Zone 21 and 22, Category 2D (Dust), Group IIC T Class 4 to 6**
- **Integrated window heater, demister, sunshield and washer/wiper options**

The new V1410 series flameproof (EExd) closed circuit TV camera housings have been developed for use in ATEX designated Hazardous areas in offshore, marine and industrial environments. Constructed entirely from electro polished 316L stainless steel for low maintenance and protection from corrosion, small in appearance, very robust, lightweight and designed for easy installation and maintenance.

Certified for use in Zone 1 and Zone 2, Category 2G (Gas), Group IIC T Class T5/T6, the 1410 series housings provides for all requirements of remote safety and surveillance monitoring in hazardous areas. The V1410 series camera housing is designed to accommodate a range of CCD camera and lens configurations for both fixed and zoom lens applications; in addition, the V1410H-SP-HSIR version provides for the use of infra-red thermal imaging camera modules.

The optional integrated wiper mechanism, the camera and lens are mounted via an integral slide rail within the housing for ease of installation and service. With the additional sunshield, the V1410 housing is protected from high temperatures caused by direct sunlight, with compensation for cold temperatures achieved via the integral thermostatically-controlled heater element.

The V1410 housings can be supplied for various supply voltage options for powering the wiper, heater and cameras, to accommodate site power availability including 24 VAC or 230 VAC (110 VAC option). Where applicable, an external pressurized washer system can be provided to allow for spray wash onto the front window glass. The V1410 series housings may be combined with the V1420 series EExd pan and tilt unit for applications requiring a remote moveable camera view. Various mounting brackets are available manufactured in stainless steel to suit the V1410 housing only and/or pan & tilt, allowing for installation to bulkheads, ceilings or towers.



ATEX Certified
Category II 2 G
EExd IIC T5/T6

Technical Information

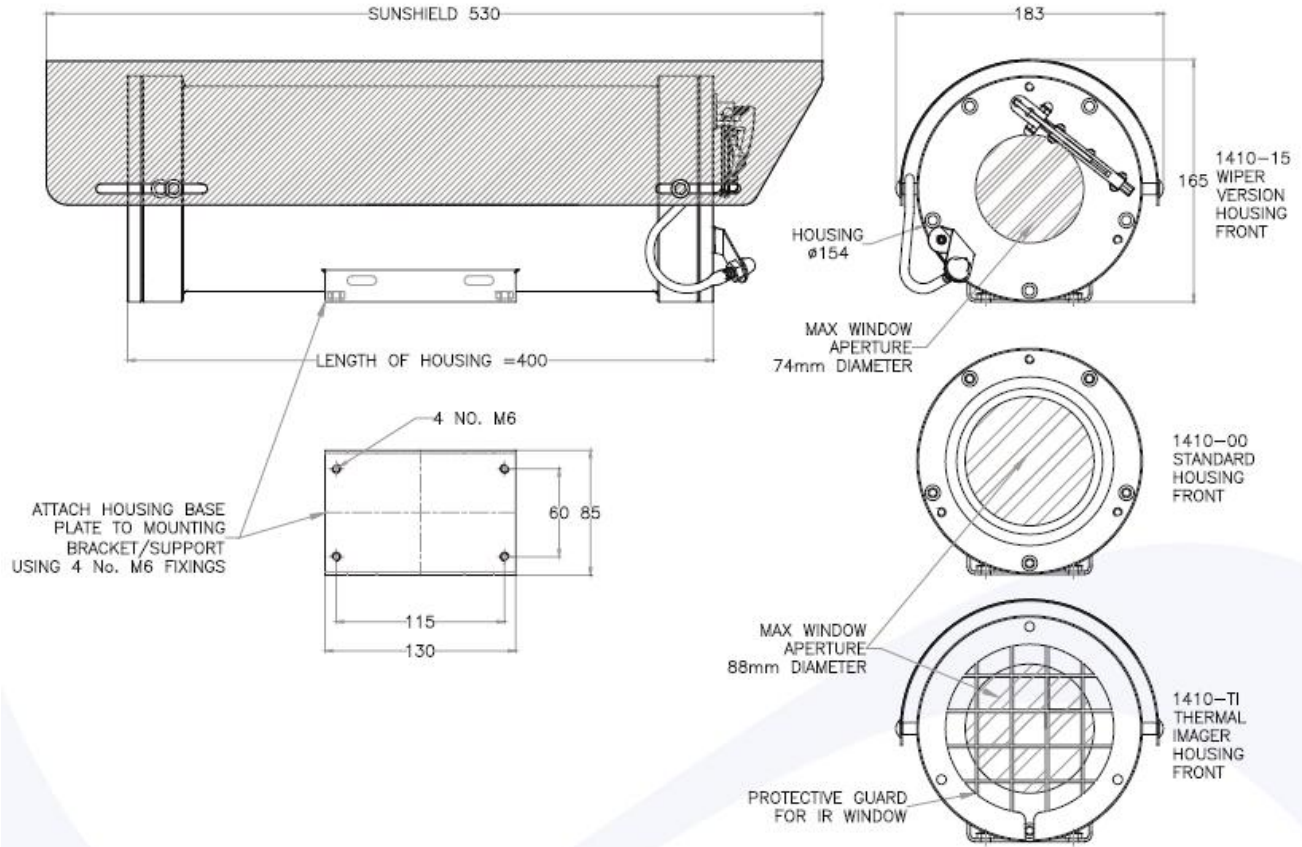
Model	Product Code	Description
V1410H-SP	9714-00	Stainless steel 316L EEXD IIC housing (no heater, no sunshield, no wiper)
V1410H-SP-WHS	TBA	Stainless steel 316L EEXD IIC housing with factory fitted integral 24 VAC wiper and heater with sunshield
V1410H-SP-WHS-230	TBA	Stainless steel 316L EEXD IIC housing with factory fitted integral 24 VAC wiper and 230 VAC heater with sunshield
V1410H-SP-HSIR	TBA	Stainless steel 316L EEXD IIC housing with factory fitted IR transparent window and protective guard, 24 VAC heater and sunshield
V1410H-S	9714-10	Stainless steel 316L sunshield
V1410H	TBA	Thermostatically controlled heater/demister assembly

ACCESSORIES AND MOUNTING EQUIPMENT

Model	Product Code	Description
V1400WM	TBA	Stainless steel 316L wall mounting bracket
V1410H-WM	9714-20	Stainless steel 316L wall mounting bracket with swivel joint
V14010SJ	TBA	Stainless steel 316L swivel joint for 1410 housing
V1410PA-SJ	TBA	Stainless steel 316L pole mount adaptor with swivel joint
V1400-CLAM	TBA	Pole mount clamp assembly
V1410CM	TBA	Corning mounting bracket for V1410 housings

TECHNICAL INFORMATION

Hazard Area Rating:	ATEX II 2 G EExd IIC T5/T6
Notified Body:	UL International DEMKO A/S
Certificate No:	DEMKO 02 ATEX 131565
CE Approval:	CE Compliant to ATEX 94/9/EC
Construction:	Stainless Steel AISI 316L
Operating Voltage:	24/230 Volt AC 50/60Hz, Wiper & Heater. (110 VAC option)
Ingress Protection:	IP67
Power Consumption:	16 Watts Wiper and Heater.
Power Dissipation:	40 Watts @ T5 in max ambient operating temp of -40°C to +50°C, 20 Watts @ T5 -40°C to +60°C
Internal Usable Area:	80W x 80H x 240L mm
Cable Entries:	3 x M20 EExd gland entries at rear. User supplied to suit cabling (1/2 inch NPT entries on request)
Weight	12kg (empty)
Mounting Options:	User mount or V1410H-WM swivel joint
Temperature Rating:	-40°C to +60°C
Operating Temp:	-20°C to +60°C (-40°C option on request)



Dimensional and Installation Diagram