

VEREX Metal Series Magnetic Stripe Readers

- Fully integrates with MONITOR ISM
- Rugged die cast or machined metal cases
- Available in black, gunmetal grey, chrome or gold finish
- State of the art heated Magneto resistive reader heads
- Various output/read options
- Vandal resistant

VEREX Metal Series magnetic stripe card readers provide economic, ergonomic and flexible solutions for your access control requirements.

VEREX Metal Series Mullion readers may be mounted on all doorframes, independent of material type for maximum read range.

The magnetic stripe readers and keypads are compatible with all VEREX Technology Access Control Systems, and many other Wiegand Access Control Systems.

Additional features include; outputs in strobe and data, Clock and data, or Wiegand key format. LED configurations are available in 1-line bi-colour or 2-line tri-colour.



**Mullion
Reader
(outdoor)**



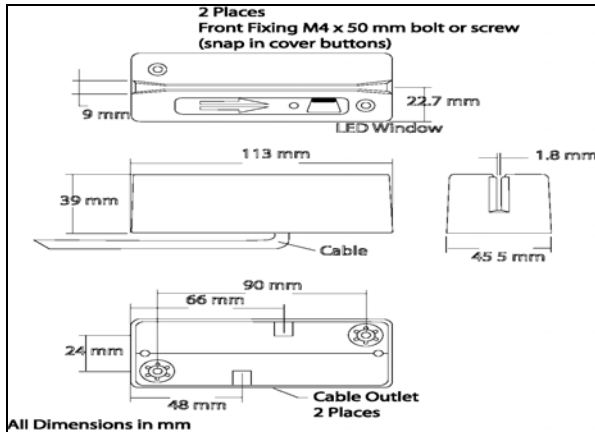
**Mullion
Reader
(indoor)**

Matrix – Used for most access control systems using a 3x4 format.

Wiegand – Used for systems supporting 4 bit Wiegand key format like MONITOR ISM™.

For more information, please call your local VEREX sales representative.

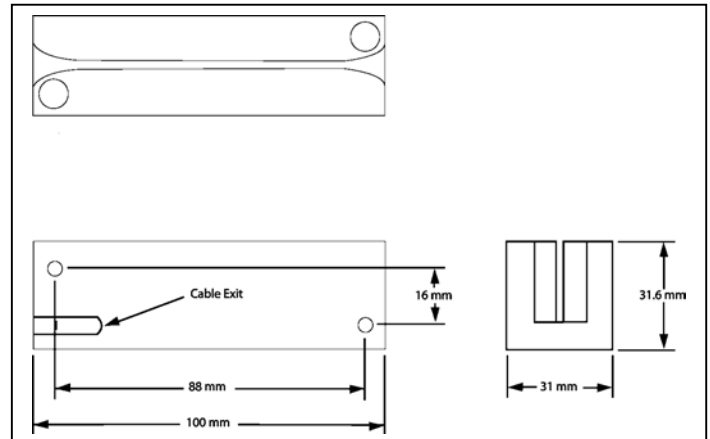
Mullion Reader Specifications Outdoor



Specifications	Mullion Reader (indoor/outdoor)
Available Options	Proximity, Wiegand or Matrix
Read Head Life	10 ⁶ reads (about 1 year)
Dimensions: Outdoor reader	113 mm x 39 mm x 45.5 mm (4.448" x 1.857" x 1.535")
Dimensions: Indoor reader	100 mm x 31.6mm x 31 mm (3.937" x 1.244" x 1.22")
Cable Distance	3m standard
Transmit Frequency	125 kHz
Power Supply	10 – 15 VDC
Material	Die cast metal
Mounting	Surface
Current Requirements	40 mA – 50mA
Temperature	30°C to 65°C (-22°F to 150°F)

Part Number	Outdoor use
120-0012B	Magnetic Stripe Reader, Track 1, Black Metal Housing, Wiegand Output
120-0012*	Magnetic Stripe Reader, Track 1, Chrome, Gold or Grey, Wiegand Output
120-0016B	Magnetic Stripe Reader, Track 1, Black Metal Housing, Clock & Data Output
120-0016*	Magnetic Stripe Reader, Track 1, Chrome, Gold or Grey, Clock & Data Output
120-0022B	Magnetic Stripe Reader, Track 2, Black Metal Housing, Wiegand Output
120-0022*	Magnetic Stripe Reader, Track 2, Chrome, Gold or Grey, Wiegand Output
120-0026B	Magnetic Stripe Reader, Track 2, Black Metal Housing, Clock & Data Output
120-0026*	Magnetic Stripe Reader, Track 2, Chrome, Gold or Grey, Clock & Data Output
120-0030B	Magnetic Stripe Reader, Track 3, Black Metal Housing, Wiegand Output
120-0030*	Magnetic Stripe Reader, Track 3, Chrome, Gold or Grey, Wiegand Output
120-0036B	Magnetic Stripe Reader, Track 3, Black Metal Housing, Clock & Data Output
120-0036*	Magnetic Stripe Reader, Track 3, Chrome, Gold or Grey, Clock & Data Output

Indoor



Part Number	Indoor Use
120-0010B	Magnetic Stripe Reader, Track 1, Black Metal Housing, Wiegand Output
120-0010*	Magnetic Stripe Reader, Track 1, Chrome, Gold or Grey, Wiegand Output
120-0014B	Magnetic Stripe Reader, Track 1, Black Metal Housing, Clock & Data Output
120-0014*	Magnetic Stripe Reader, Track 1, Chrome, Gold or Grey, Clock & Data Output
120-0020B	Magnetic Stripe Reader, Track 2, Black Metal Housing, Wiegand Output
120-0020*	Magnetic Stripe Reader, Track 2, Chrome, Gold or Grey, Wiegand Output
120-0024B	Magnetic Stripe Reader, Track 2, Black Metal Housing, Clock & Data Output
120-0024*	Magnetic Stripe Reader, Track 2, Chrome, Gold or Grey, Clock & Data Output
120-0034B	Magnetic Stripe Reader, Track 3, Black Metal Housing, Wiegand Output
120-0034*	Magnetic Stripe Reader, Track 3, Chrome, Gold or Grey, Wiegand Output
120-0032B	Magnetic Stripe Reader, Track 3, Black Metal Housing, Clock & Data Output
120-0032*	Magnetic Stripe Reader, Track 3, Chrome, Gold or Grey, Clock & Data Output

* **Please Specify colour: Black, Chrome, Gold, or Grey**

VEREX Technology, a division of CSG Security, is constantly working to improve products and reserves the right to alter equipment designs and specifications without notice or obligation.

© 2002 CSG Security Inc. / Sécurité CSG Inc.

5201 Explorer Drive, Mississauga, Ontario, L4W 4H1
Canada
Toll-free (USA & Canada): 1 877.249.9993
Phone: +1 905.206.8434
Fax: +1 905.629.4970

www.verextech.com sales@verextech.com

Rev. July, 2002