



## Real-time Quads colour and monochrome

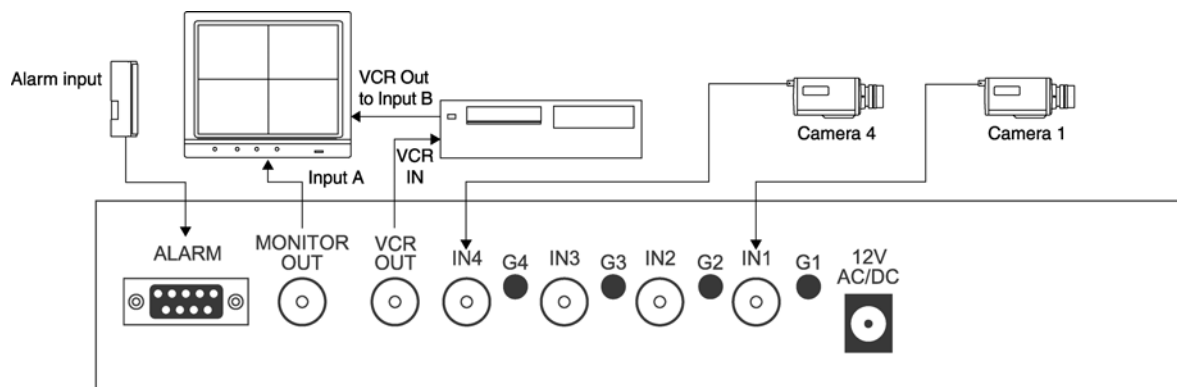
VQD100-RT  
VQD300-RT

- Real-time quad and single camera display
- Real-time quad recording to VCR
- Individual alarm inputs with alarm output relay
- Auto sequencing display
- Keyboard lockout function

Simple, cost effective surveillance solutions for small systems of up to four cameras. An intuitive user interface enables manual or automatic sequencing of all connected cameras in full-screen and quad format.

- **Viewing**  
Cameras can be manually selected for viewing in full-screen or quad format.
- **Auto sequencing**  
The RUN function continuously sequences every camera and the quad display with a user-defined dwell time; any camera not connected will be automatically bypassed.
- **Recording**  
A separate output for connection to a VCR enables continuous recording of the quad format picture.
- **Alarm handling**  
An individual alarm input for each camera switches the monitor to display the corresponding camera. Multiple alarms are displayed in quad format. An alarm output relay is provided to trigger external devices.
- **Keyboard lockout**  
The LOCK function prevents accidental key presses.

## Connection Diagram



## Technical data

	VQD300-RT	VQD100-RT
<b>General</b>		
• Description	Real-time colour quad	Real-time monochrome quad
<b>Video inputs</b>		
• Inputs	4	4
• Format	PAL, 625 lines	CCIR, 625 lines
• Signal (composite)	1Vpp, 75 Ohm, BNC	1Vpp, 75 Ohm, BNC
<b>Monitor output</b>		
• Signal format	PAL, 625 lines	CCIR, 625 lines
• Signal (composite)	1Vpp, 75 Ohm, BNC	1Vpp, 75 Ohm, BNC
• Display resolution	720 (H) x 576 (V) pixels	720 (H) x 576 (V) pixels
• Display formats	1 (full screen), 2x2 (quad)	1 (full screen), 2x2 (quad)
<b>VCR output</b>		
• Signal format	PAL 625 lines	CCIR, 625 lines
• Signal level (composite)	1Vpp, 75 Ohm, BNC	1Vpp, 75 Ohm, BNC
<b>Alarms</b>		
• Inputs	4 (NO or NC contacts)	4 (NO or NC contacts)
• Output relay	Common, NO, NC relay contact	Common, NO, NC relay contact
• Duration	0-99 sec	0-99 sec
• Connector	DB9	DB9
<b>Electrical</b>		
• Supply voltage	12 volts AC/DC External PSU (supplied), 7 W (max.)	12 volts AC/DC External PSU (supplied), 5 W (max.)
<b>Environmental</b>		
• Operating temperature	0° to +40°C	0° to +40°C
• Relative Humidity	5 to 90% (non-condensing)	5 to 90% (non-condensing)
<b>Mechanical</b>		
• Weight	1.7 kg	1.7 kg
• Dimensions (W x H x D)	285 x 44 x 235mm	285 x 44 x 235mm

## Details for ordering

Type	Part no.	Designation	Weight
VQD300-RT	2GF2001-8AF	Colour Quad Real-Time 12VDC	1.7 kg
VQD100-RT	2GF2001-8AE	Monochrome Quad Real-Time 12VDC	1.7 kg