



RAIR270

Visatec II

Wireless passive infrared detector

- 18 m wide-angle with look down zone or 30 m continuous curtain (optional)
- Low power design – batteries will last for more than 6 years
- Pet immunity up to 12 kg
- True temperature compensation
- Optimum white light filter through patented black triplex mirror optics
- Choice of three application settings

Versatile application. The design is visually attractive but discreet, making the RAIR270 the ideal motion detector for industrial and commercial applications, as well as for more demanding and sophisticated applications in the private sector.

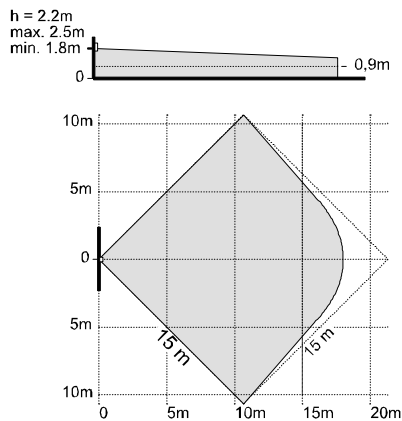
Fast and easy installation. The versatile housing allows wall and corner installation without accessories.

Outstanding immunity. A comprehensive protection concept makes the detector insensitive to environmental problems.

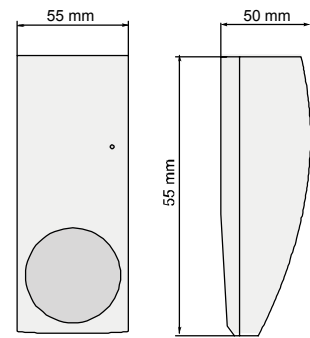
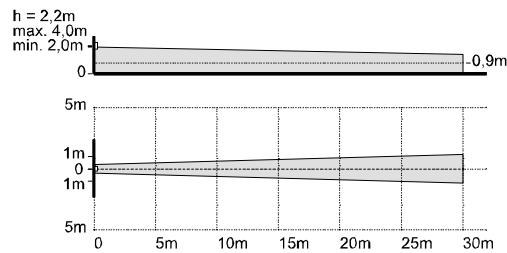
Safe detection. A look down zone for crawl protection and uniform sensitivity in the 'chessboard' zone pattern guarantee a high level of detection reliability. The multi-criteria signal analysis system differentiates intelligently and reliably between intruders and disturbance signals.

Coverage areas and dimensions

Wide angle mirror (standard)



Curtain mirror IRS272 (option)



Technical data

Coverage area – Wide angle / Curtain IRS272	18 m / 30 m
Wireless module – Range / Frequency	100 m / 433.92 MHz
Lithium battery (2 x 3.6V) – Life time	approx. 6.5 years at 100 alarms / day
Alarm output logic level	High
Alarm holding time	2 ... 3 s
Tamper contact and back tamper	via radio
Walktest mode activation	by tamper contact or magnet
Walktest auto reset	4 minutes after activation
Walking speeds – Wide angle / Curtain IRS272	0.2 ... 3.0 m/s / 0.2 ... 4.0 m/s
Pet immunity	< 12 kg
Operating temperature	-20 ... +55 °C
Storage temperature	-20 ... +60 °C
Air humidity (EN60721)	< 95 % r.h., non-condensing
EMI rejection, 0 ... 2 GHz	> 20 V/m
Housing protection (EN60529, EN50102)	IP41 / IK02

Details for ordering

Type	Part no.	Designation	Weight
RAIR270	571898	Wireless passive infrared detector	0.180 kg
IRS272	571733	Curtain mirror (set of 4)	0.050 kg
-	520535	Lithium battery, type LiSOCl, size AA, 3.6V/1.9Ah	0.020 kg
IRUM20	562247	Wall mounting bracket	0.030 kg
IRUM30	562250	Ceiling mounting bracket	0.075 kg
-	503251	Adhesive tamper seal	-

Siemens Building Technologies AG
 Alte Landstr. 411
 CH-8708 Männedorf
 Tel. +41 1 - 922 6111
 Fax +41 1 - 922 6450
 www.sibt.com

© 2003 Copyright by
 Siemens Building Technologies AG
 Data and design subject to change without notice.
 Supply subject to availability.