

PRO-E-100 & PRO-E-1000H

Outdoor passive infrared detectors

VANDERBILT



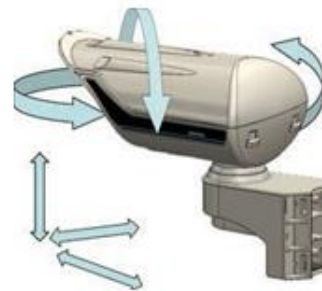
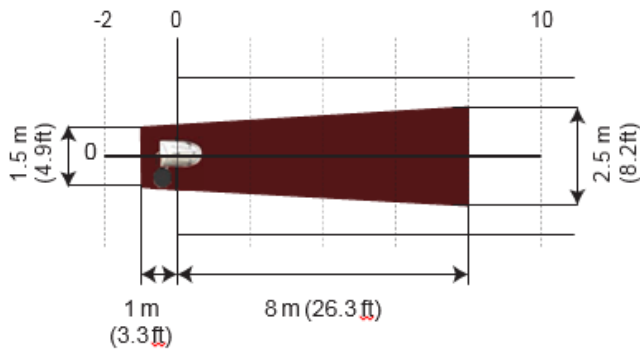
Key Features include:

- Curtain long range 120m x 2.7 m (PRO-E-100) and 150m x 3.3m (PRO-E-100H)
- Integrated cable management system
- Designed for one-man commissioning
- Sophisticated 3D-tamper (pan/tilt/move) including a compass, slow panning
- Special tamper protection
- Creep zone starts 1m behind detector location
- Detection speeds crawling, walking or running – 0.2 – 5 metres per second
- Incorporates mounting brackets
- PRO-E-100H incorporates heater for cold environments

PRO-E-100 & PRO-E-1000H

Outdoor Passive Infrared detectors

VANDERBILT



A major advantage over the IS range of detectors is the 360PROtect™-- Near Surrounding Area Surveillance. The new innovative technology provides protection from 1m behind the pole/wall installation and upto 8m in front of the detector, therefore eliminating all creep zones. System designs are now simplified and the elimination of the creep zones offers a cost saving and a superior detection coverage. The PRO-E-45 have been engineered to provide extraordinary reliability and accuracy. This new generation of PIR's evolved from the defense grade perimeter protection technology, the IS range of detectors. Utilising passive infra red technology and combining it with precision mirror optics, employing the latest digital signalling processing (DSP) and an environmental adaptive circuitry – this provides the exceptional reliability of detection while minimising nuisance alarms. The PRO-E-45 detector achieves unsurpassed performance even under precarious environmental conditions. The PRO-E-45 is a member of a family of PRO detectors, which are available in a variety of models to optimally address the requirements of the perimeter detection, performance and budgetary requirements.

Curtain Models	Long-range curtain	
Detector	PRO E-100	PRO E-100H
Coverage L x W (H-Version)	120 m x 2.7 m (400 ft x 9 ft)	150 m x 3.3 m (500 ft x 11 ft)
Optics	Precision Glass Mirror	
Side View Standard Version (H-Version)		
Top View, Width at Nominal Range Standard Version (H-Version)		

VANDERBILT

PRO-E-100 & PRO-E-1000H

Outdoor passive infrared detectors

VANDERBILT

Specification / Model	PRO E-100	PRO E-100H
Detection principle	Long range curtain	
Nominal range (L x W), width at nominal range	120m x 2.9 m	150m x 3.3 m
Angle of beam, aperture AA	13°	
Near Surrounding Area Surveillance	-1 m up to +8 m (-3 ft up to +26 ft)	
Pyroelectric Sensor (differential)	dual-channel	
Detection speed range	0.2 - 5 m/s (0.7 - 16 ft/s)	
Alarm output (free programmable)	1x Alarm = IR-Alarm, 360PROtect™-alarm, masking	
Fault output (free programmable)	1x Fault = power supply, temperature, heating, masking, watch-dog,	
Tamper output (free program.)	1x tamper = housing cover, alignment, CMB cover, removal from mounting	
Free programmable output	2x 360PROtect™ or masking or zone alarm or other events	
Alarm indicator	Internal LED	
Data-Interface	RS-485, 9600 baud/s // on-board	
Default Settings - Sensitivity	40%, 75%, 100% (% of standard)	
Adjustments via Tool-Software - Sensitivity	20% -140% (% of standard)	
Cable feed (diameter)	2 x 4-7 mm (0.16" - 0.27")	
Cable termination	Removable screw terminals 0.34 mm ² to 1,5 mm ² (AWG 28 -16)	
Supply voltage	10.5 - 30 VDC , 24 V AC ±15% auto-sensing, excluding heater	
Supply current	approx. 18 mA @ 12 VDC ,12 mA @ 24 VDC, 30mA @ 24 VAC (@ +25°C)	
Output load (max.)	Solid State Relais 75 mA max. @ 60 VDC	
Heater power (H-versions only)	approx. 0.5 W / ~41 mA @ 12 VDC and -40°C	
Operating temperature with compensation	Without heater: -20 °C to +60 °C . With heater: -40 °C to +60 °C	
Housing material	Luran® S (ASA)	
IP-Rate	IP 65	
Environmental classification	Designed to fulfill Environmental Classification (Class IV - Outdoor)	
	Scope of EN 50131- / IEC 62642-standards are for indoor I&HAS only	
Mounting	Wall and pole mounting — cable managed bracket (CMB) included	
Weight	approx. 980 g (2.1 lbs), incl. cable managed bracket	
Dimensions (L x W x H)	358 mm x 188 mm x 290 mm (14.1" x 7.4" x 11.4")	
Country of Origin	Designed in Switzerland // Made in China	
CE (incl. RoHS II, REACH, WEEE)	EU-Directive 2011/65/EU (RoHS II), EC 1907/2006+2011 (REACH), EU-Directive 2002/96/EG (WEEE) do not fall under the scope of these directives.	
Security Grading	Designed to fulfill EN50131-1 / IEC 62642-1:2010*) Security Grades 1-4 (Grade 4 in combination with ADPRO FastTrace/IntrusionTrace, only)	
	*) Scope of EN50131-x- / IEC 62642- standard are for indoor I&HAS only - not for outdoor perimeter detection!	
Other Standards & Regulations	British Standards: designed to fulfill BS 8418:2010	
	VdS: Designed to fulfill VdS 3143 (PIR), VdS3456 and VdS classes B and C (Class C in combination with ADPRO FastTrace/IntrusionTrace, only)	

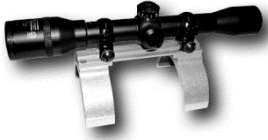
PRO-E-100 & PRO-E-1000H

Outdoor passive infrared detectors

VANDERBILT

■ Accessories

AD851



CT PRO 2



IFM485ST



■ Ordering Information

Type	Art.-No.	Description	Weight
PRO-E-100	V54533-Z114-A100	External PIR, mid-range curtain	2.20 g
PRO-E-100H	V54533-Z116-A100	External PIR, mid-range curtain & heater	2.20 g
IFM485ST	V54533-Z119-A100	Installation module	0.60 g
CT PRO 2	V54533-Z122-A100	Cordless walk tester	0.31 g
AD851	V54533-Z121-A100	Installation telescope	0.88 g