

550

SERIES

MEDIUM CAPACITY AC AND DC PAN & TILT UNIT



The Videmech 550 series is a family of AC and DC, high speed outdoor up-and-over pan and tilt heads conservatively designed for long trouble-free life and ease of installation in mind. Both the AC model 550 and the DC variable speed 555 have a balanced load capacity of up to 15 kg and feature an all new body design whose compactness belies its power. Continuous rotation and preset versions are available.

- Compact aesthetic design - 30% smaller than similar capacity models
- Unique tee-shaped die cast aluminium body

- Weatherproofing to IP68 (according to cable connection method chosen) with lip seals on shafts and piston seal 'O' rings on the end plates and base for total exclusion of dust and moisture
- Purpose-built precision gear box with steel and brass gears on stainless steel shafts and ball races for trouble free life
- Universal platform accepts virtually any manufacturers' camera housings without an adapter plate - fastening either with conventional bolts, or using Videmech's unique slide-lock mounting system and screw-in studs (supplied) for the easiest field installation of all

- Continuous rotation option using gapless potentiometer eliminates preset 'dead zone' and allows quickest route to preset
- Externally accessible limit switch adjustment - requires no dismantling of the unit during installation
- Highest quality DC motors suitable for variable speed control systems - spring applied electro-magnetic braking ensures unenergised head is locked in position

Continued...

VIDEMECH

550

SERIES MEDIUM CAPACITY AC AND DC PAN & TILT UNIT

- Heavy duty AC permanent magnet synchronous motors - may be stalled indefinitely without overheating or other adverse effects - excellent starting and driving torque for smooth operation - high unenergised holding torque for static stability

- IR lamps directly mountable. Easily attached optional clip-on side arms can carry up to two 950 series 300 watt lamps without load penalty due to counterbalancing effect

- Low backlash for stability in high winds and precise preset repeatability

- Finest quality corrosion resistant spattered grey finish

- Lubricated for life - no servicing or maintenance required

OPTIONS

Autopan

Datum

Speed variations

Continuous rotation

Heater for operating in extreme cold

Presets and clip-on IR mounts

Slide-lock housing adapter kit

Input voltages:

550: 240Vac 50 Hz

551: 24Vac 50 Hz

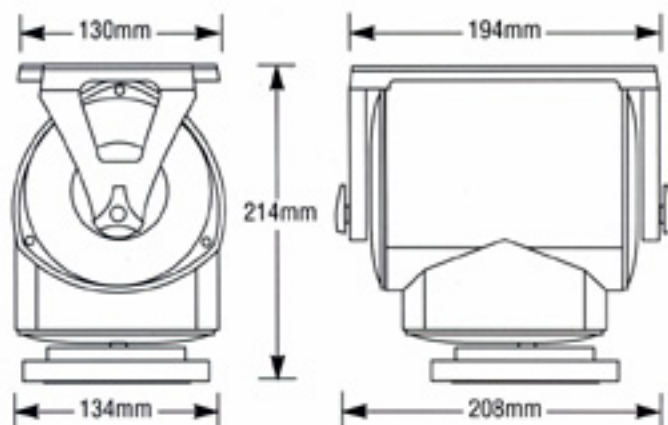
552: 110Vac 50 Hz

555: 24Vdc

556: 12Vdc

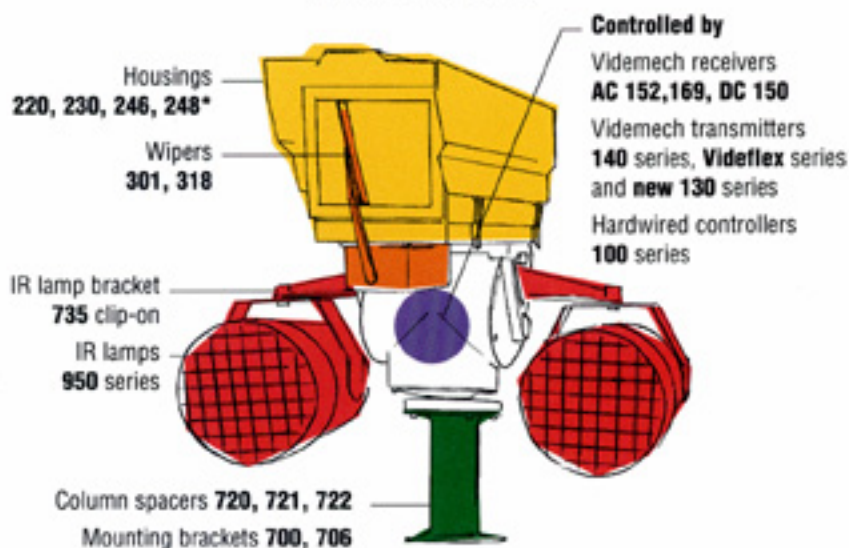
60 Hz versions

AC MODEL 550 AND DC VARIABLE SPEED MODEL 555 TO SUIT ALL APPLICATIONS



Pan angle		360° continuous optional
Tilt angle (up-and-over)		60° up, 90° down
Pan speed	AC	6°/sec standard, optional 12
	DC	0-32°/sec standard, optional 58 & 110 variable
Tilt speed	AC	3°/sec standard, optional 6
	DC	0-12°/sec standard, optional 32 & 58 variable
Torque	Pan	2000Ncm
	Tilt	4000Ncm
Limit adjustments		independent external adjustments
Backlash		Less than 0.15°
Capacity		15 kg up & over at standard speeds
		Additionally 2 counterbalanced IR lamps may be attached without any load penalty
Supply voltage		24V DC or 240V AC standard
Operating current		1.2A max per axis (24V DC) 31mA per axis (240V AC)
Ambient temperature		-15 to +80°C (-40 to +80° with heater)
Main bearings		precision ball races
Mounting		4 holes threaded M6 on 101.6mm (4") PCD
Weight		7 kg

COMPATIBILITY



*Wiper not recommended with 248 housing in up and over mount due to look down limitations

VIDEMECH

A company of Silverlines Group plc

Videmech Limited, Blackbushe Business Park
Saxony Way, Yateley, Hampshire, GU46 6GB England
Tel.+44 (0)1252 864444 Fax.+44 (0)1252 864455



Videmech pursues a policy of continuous development. Specifications may therefore be changed without notice.