

# Magnet Contacts

MK-6000 Series

**VANDERBILT**



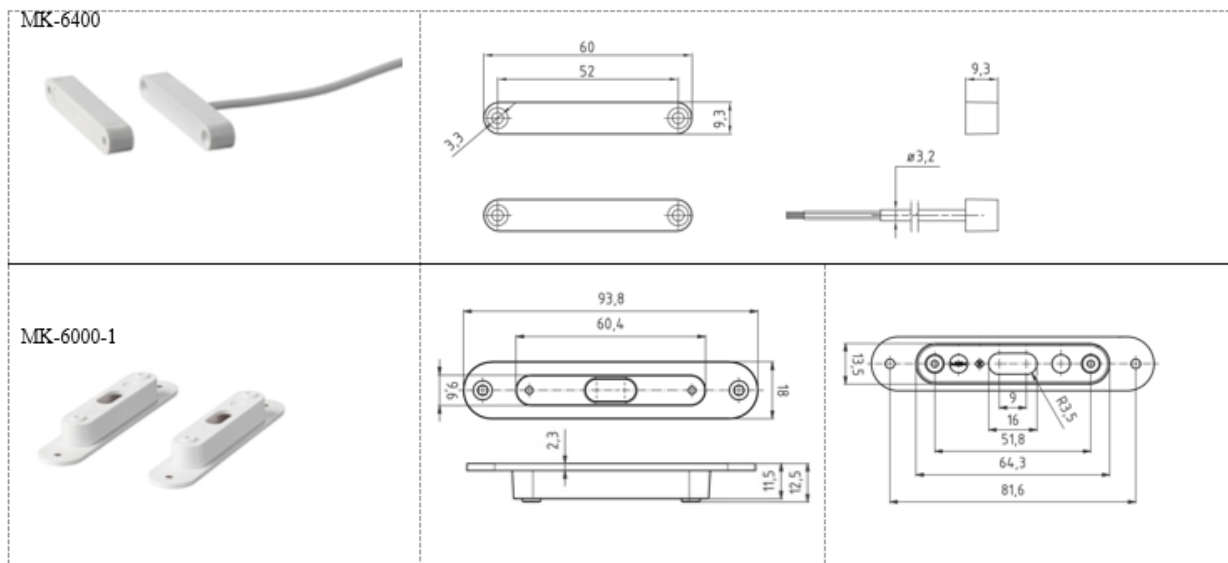
The new EN50131-2-6 approved magnetic contacts series MK-6000 offers selected products with the following features:

- Discreet and varied installation
- Constant sensitivity over a wide temperature range
- High reliability guaranteed by reed switch
- Variants with built-in resistors

# Magnetic Contacts

MK-6000 Series

VANDERBILT



## ■ Technical data

Line contact	Line contact
Switching voltage	Switching voltage
Switching current	Switching current
Contact capacity	Contact capacity
Temperature range	Temperature range
Housing material	Housing material
Housing protection	Housing protection
Environmental class VdS / EN	Environmental class VdS / EN
Approvals (pending)	Approvals (pending)

VANDERBILT

# Magnetic Contacts

MK-6000 Series

**VANDERBILT**

## ■ Ordering Informations

Type	Order No.	Description	Weight
MK-6000-1	V54536-M109-A100	Plastic adapter	0.016 kg
MK-6400-5	V54536-F119-A100	Magnetic contact, 5 m cable	0.04 kg
MK-6400-10	V54536-F119-A200	Magnetic contact, 10 m cable	0.123 kg
MK-6400-5-2x4K7	V54536-F120-A100	Magnetic contact, 5 m cable, 2 x 4k7 ohm resistor	0.05 kg
MK-6400-5-2x16K2	V54536-F120-A200	Magnetic contact, 5 m cable, 2 x 16k2 ohm resistor	0.05 kg

**VANDERBILT**