

MK4000 Series

Magnetic contacts

VANDERBILT



The new range MK- 4000, EN50131-2-6 certified, consists of magnetic contacts for surface mounting with connection via screw terminals. There is a wide choice of products and accessories including contacts EOL resistors that simplify the wiring. The case for the aesthetic form is protected by opening a tamper switch and a high-security model also helps guard against any attempted fraud by external demagnetisation.

- Connection via screw terminal
- Excellent long term stability
- Simplicity and reliability of wiring through integrated terminating resistors
- Plastic case with an elegant and discrete design
- High security model with anti-tamper feature
- Double contact version

MK4000 Series

Magnetic contacts

VANDERBILT

Functionalities

■ Application

Magnetic contacts of the MK-4000 Series are used in alarm signalling systems and access control systems for monitoring doors, gates and windows against any unauthorized opening. For installations where biased (interfering-field proof) contacts are a requirement, appropriate magnetic contacts of the MK-4000 Series are available.

■ Operation

The magnetic contact is made up of two units, the reed contact and a permanent magnet. The reed contact unit and the magnet are mounted on the fixed and the movable part of the object to be protected, at a defined distance from each other. The field of force of the permanent magnet serves to keep the reed contact closed. Any increase in the distance between the reed contact and the magnet will cause the effect of the magnetic field of force at the reed contact to reduce and as a result, the reed contact will open and break the electric circuit for signal analysis. The MK-4400 Series offers also a type with a change-over contact and a high security version.

■ Installation

The installation position must be selected that the air gap does not allow any tampering. The magnetic contacts of the MK-4000 Series are designed for installation on wooden or plastic frames of the objects to be protected. When the contacts are to be mounted on metal frames, spacers (accessories) must be fitted. The reed contact unit is installed on the fixed part and the magnet unit on the movable part of the object to be protected. Wiring of the contact unit is made via the screw terminals which are easily accessible from above. Should a shorter monitoring distance or a different mode of installation required, the individual accessories may be used in any combination, depending on the application

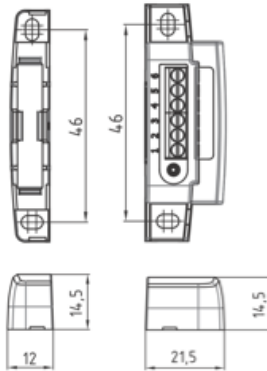
VANDERBILT

MK4000 Series

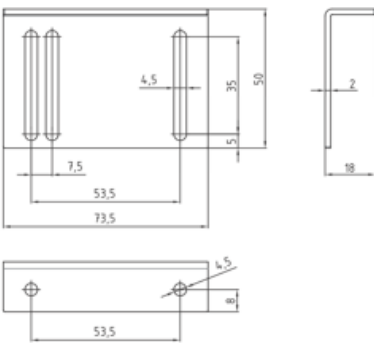
Magnetic contacts

VANDERBILT

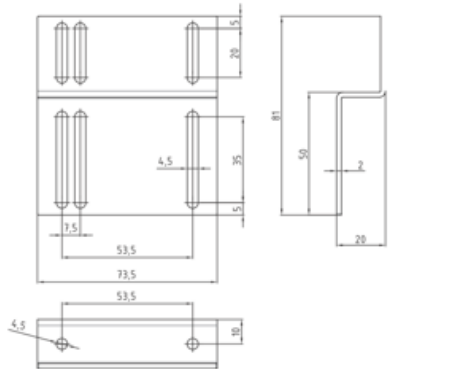
MK-4400; MK-4700



MK-4000-1



MK-4000-5



VANDERBILT

MK4000 Series

Magnetic contacts

VANDERBILT

■ Technical data

| | MK-4400 | MK-4460 | MK-4470 | MK-4700 | MK-4720 |
|--|--------------|------------------|---------------------|------------------|--------------|
| Type of alarm contact | NC | NO/NC | 2 x NC | NC | NO/NC |
| Switching power | ≤ 6 W | ≤ 3 W | ≤ 6 W | ≤ 6 W | ≤ 3 W |
| Switching voltage | ≤ 40 V DC | ≤ 30 V DC | ≤ 40 V DC | ≤ 40 V DC | ≤ 30 V DC |
| Switching current | ≤ 500 mA | ≤ 200 mA | ≤ 500 mA | ≤ 500 mA | ≤ 200 mA |
| Sabotage contact | - | - | - | NC | NC |
| Tamper contact | | | NC | | |
| Contact rating | | | 0,1A / 30V DC | | |
| Resistance | | | ≤ 1 Ohm | | |
| Contact break distance for wood/plastic | 22/28mm | 20/23,5mm | 20/26,5mm | 20/23,5mm | 20/23,5mm |
| Contact break distance for ferrous metals with MK-4000-3/4 | - 11/13mm | - 11/13mm | - 10/14,5mm | - 11/13mm | - 11/13mm |
| Dimensions of contact | | | 58 x 21,5 x 14,5 mm | | |
| Dimensions of magnet | | | 58 x 12 x 14,5 mm | | |
| Operating temperature | | | -40 °C à +70 °C | | |
| Ingress protection | | | IP43 | | |
| Environmental Class | | | II | | |
| Certifications | | EN, SBSC Grade 2 | | EN, SBSC Grade 3 | |

VANDERBILT

MK4000 Series

Magnetic contacts

VANDERBILT

Informations pour commander

| Type | Article Nr. | Description | Weight |
|---------------|------------------|---|----------|
| MK-4000-1 | V54536-M105-A100 | Mounting bracket, L shape | 0.046 kg |
| MK-4000-2 | V54536-N101-A100 | Extra strong magnet | 0.032 kg |
| MK-4000-3 | V54536-M106-A100 | Spacer for contact part, 3mm | 0.1 kg |
| MK-4000-4 | V54536-M107-A100 | Spacer for magnet part, 3mm | 0.06 kg |
| MK-4000-5 | V54536-M108-A100 | Mounting bracket, Z shape | 0.046 kg |
| MK-4400 | V54536-F113-A100 | Magnetic contact | 0.032 kg |
| MK-4400-1K | V54536-F114-A100 | Magnetic contact, 1k resistor | 0.032 kg |
| MK-4400-2K2 | V54536-F114-A200 | Magnetic contact, 2,2k resistor | 0.032 kg |
| MK-4400-2x5K6 | V54536-F114-A300 | Magnetic contact 2 x 5,6k resistors | 0.032 kg |
| MK-4400-4K7 | V54536-F114-A400 | Magnetic contact, 4,7k resistor | 0.032 kg |
| MK-4460 | V54536-F115-A100 | Magnetic contact, changeover contact NO/NC | 0.033 kg |
| MK-4470 | V54536-F116-A100 | Magnetic contact, 2 x reed contacts NC | 0.033 kg |
| MK-4700 | V54536-F117-A100 | High security magnetic contact | 0.033 kg |
| MK-4720 | V54536-F118-A100 | High security with changeover contact NO/NC | 0.033 kg |

VANDERBILT