

## IS443 / IS444 / IS445

### Photoelectric infrared beams

with quad beams for outdoor applications

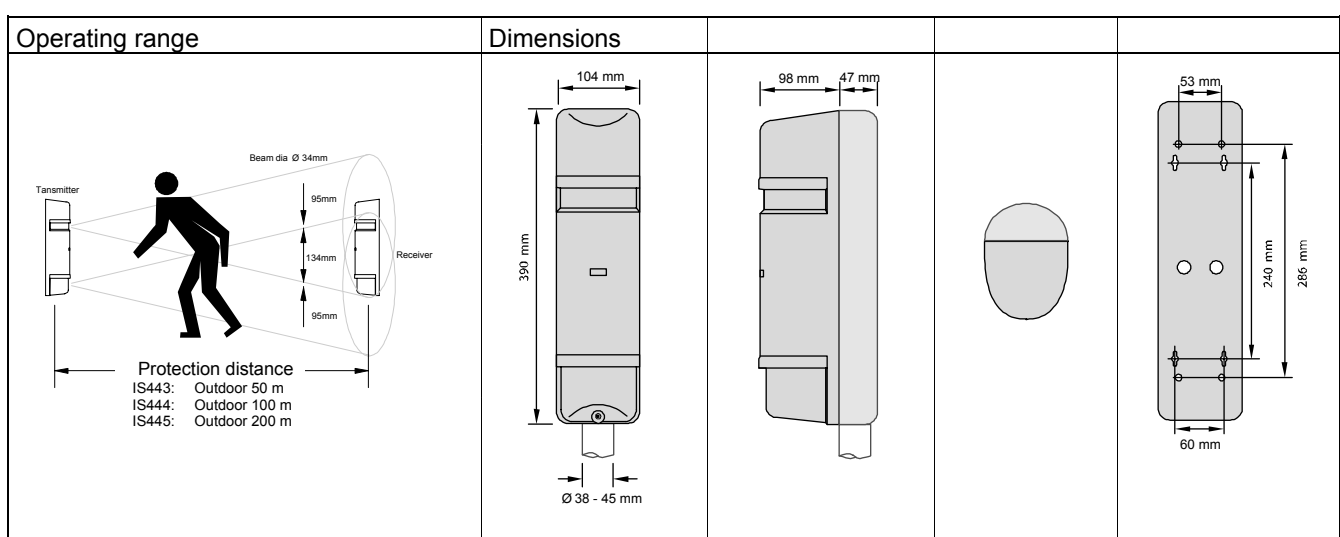
- **Perimeter protection from 50 m to 200 m**
- **Synchronised and sophisticated quad beams serve to reinforce the range and stability in harsh environments and severe weather conditions**
- **Automatic gain control**
- **4 separate choices of frequencies**

**Approved detection performance.** The 4 infrared beams work in an AND-function, which guaranties immunity from falling leaves and small animals. Strong active infrared transmission with a ten times greater infrared power than for the specified maximum distance. Special housing design ensure reliable operation when there is frost or dew.

**Automatic gain control.** The sensitivity is automatically increased in severe weather conditions to contend with fog, heavy rain, frost or snow.

**Highest false alarm immunity.** Special light compensation circuit for excellent immunity against sun, car, fluorescent or mercury lights.

## Operating range and dimensions



## Technical data

Type	IS443	IS444	IS445
Detection system	Simultaneous breaking of 4 beams		
Infrared beam	Double modulation pulsed beam by LED		
Protection distance	Outdoor < 50 m	Outdoor < 100 m	Outdoor < 200 m
Response time	50 ms ... 700 ms variable (Standard: 50 ms)		
Power supply	12 VDC ... 30 VDC (non-polarity)		
Current consumption	95 mA	105 mA	120 mA
Alarm output			
– Relay (change over contact)	30 VDC/DC 1 A		
– Alarm hold time	approx. 1.5 s		
Environmental output			
– Relay contact	NO/NC switchover, 30 VDC/DC 1 A		
Tamper output			
– Cover contact (opens on tamper)	30 VDC/DC 0.1 A		
Functions	Modulated beam frequency selection, tone indicator, environmental module, alarm memory indication, programmed AGC, auto-gain lock function, monitor jack		
Beam adjustment	Horizontal: $\pm 90^\circ$ C, Vertical $\pm 10^\circ$ C		
Environmental conditions	- 35° C ... + 66° C		
Mounting position	Outdoor		
Housing protection (EN 60529, EN 50102)	IP64		

## Ordering data

Typ	Art.-Nr.	Bezeichnung	Gewicht
IS443	529992	Photoelectric beam sensor (50 m)	2.500 kg
IS444	529989	Photoelectric beam sensor (100 m)	2.500 kg
IS445	529950	Photoelectric beam sensor (200 m)	2.500 kg
BP-200F	538624	Pole cover (2 pcs./set)	
HTF-24	538611	Heater (2 pcs./set) 24 VDC; 860 mA	

Siemens Building Technologies AG  
 Alte Landstr. 411  
 CH-8708 Männedorf  
 Tel. +41 1 - 922 6111  
 Fax +41 1 - 922 6450  
 www.sbt.siemens.com

© 2004 Copyright by  
 Siemens Building Technologies AG  
 Data and design subject to change without notice. Supply subject to availability.