

IS433-IS434-IS435

Photoelectric infrared beams, with quad beams for internal & external applications

VANDERBILT



Key Features include:

- External perimeter protection from 20 m to 60 m
- Internal protection from 40m to 120m
- Synchronised and sophisticated quad beams serve to reinforce the range and stability in harsh environments and severe weather conditions
- Automatic gain control
- 4 separate choices of frequencies
- Selectable beam transmission strength

Approved detection performance. The 4 infrared beams work in an AND-function, which guarantees immunity from falling leaves and small animals. Strong active infrared transmission with a ten times greater infrared power than for the specified maximum distance. Special housing design ensures reliable operation when there is frost or dew.

Automatic gain control. The sensitivity is automatically increased in severe weather conditions to contend with fog, heavy rain, frost or snow.

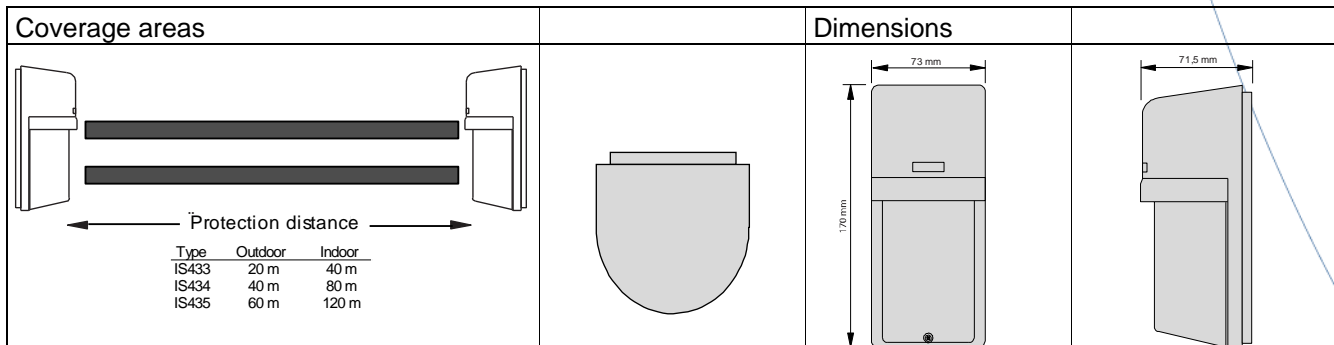
Highest false alarm immunity. Special light compensation circuit for excellent immunity against sun, car, fluorescent or mercury lights.

Environmental module. Notification via a relay output when the received beam signal level reaches an unacceptable level.

IS433-IS434-IS435

Photoelectric infrared beams, with quad beams for internal & external applications

VANDERBILT



■ Technical Data

Type	IS433	IS434	IS435
Detection system	Simultaneous breaking of 4 beams		
Infrared beam	Double modulation pulsed beam by LED		
Protection distance			
- External	< 20 m	< 40 m	< 60 m
- Internal	< 40 m	< 80m	< 120m
Response time	50 ms ... 700 ms variable (Standard: 50 ms)		
Power supply	12 VDC ... 30 VDC (non-polarity)		
Current consumption	55 mA	75 mA	80 mA
Alarm output			
- Relay (change over contact)		30 VAC/DC 1 A	
- Alarm hold time		approx. 1.5 s	
Indications			
- Alarm (Receiver)		Red LED	
- Sensitivity attenuation (Receiver)		Red LED	
Tamper output			
- Cover contact (opens on tamper)		30 VAC/DC 0.1 A	
Functions	Modulated beam frequency selection, tone indicator, environmental module, alarm memory indication, programmed AGC, auto-gain lock function, monitor jack		
Beam adjustment	Horizontal: $\pm 90^\circ$ C, Vertical $\pm 10^\circ$ C		
Environmental conditions	- 25° C ... + 60° C		
Mounting location	Outdoor		
Mounting position	Wall, tower or 45mm diameter pole (clamps supplied)		
Housing protection (EN 60529, EN 50102)	IP55		

VANDERBILT

IS433-IS434-IS435

Photoelectric infrared beams, with quad beams for internal & external applications

VANDERBILT

Options

Heaters

These are required for cold environments, where the build-up of frost and/or snow is likely. The heaters can be mounted within the detectors or the beam towers.

Pole Covers

The covers provide additional ingress protection to the beams when they are pole mounted.

Pole attachments

Required to secure the beam to a pole, not part of the supply.

■ Accessories Information			
Type	Part No.	Description	Weight
BP60A	V54539-M101-A100	Pole attachment for IS433/4/5	0.022 Kg
PB-H	NSE2:PB-H	Heater (2 pieces/set) 24 VDC ; 300 mA for each heating element	0.082 kg
BP-60TE	NBPZ:5386370001	Pole cover (2 pieces/set)	0.300kg

■ Ordering Information

Type	Part No.	Description	Weight
IS433	VPBZ:5299760001	Photoelectric beam sensor (20m)	0.78 Kg
IS434	VPBZ:5299630001	Photoelectric beam sensor (40m)	0.78 Kg
IS435	VPBZ:5299050001	Photoelectric beam sensor (60m)	0.78 Kg