



IS390, IS390H

Outdoor passive infrared detector

- 21 m (27 m IS390H) wide angle detector for the most exacting applications
- ATD adaptive threshold decoding for ambient condition evaluation
- Comprehensive protection concept against all extraneous influences
- True temperature compensation and heating (IS390H)
- Continuous function surveillance

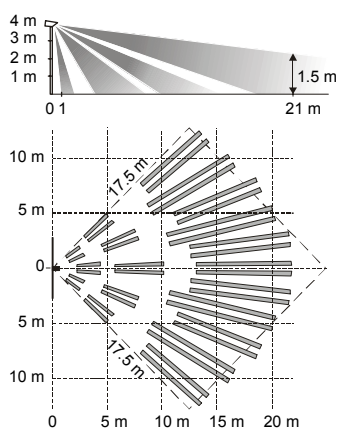
Versatile in application. The IS390 is suitable for use in outdoor environment, the IS390H even for the harshest environments. The integral mounting bracket allows alignment of the detector in any position. Switches permit easy and quick set-up.

Effective. Both detectors may be used in standalone manned intrusion detection systems or as part of a sophisticated video surveillance system. Applications include fenced or restricted areas like military camps, detention centres, government facilities, industrial sites, and private premises.

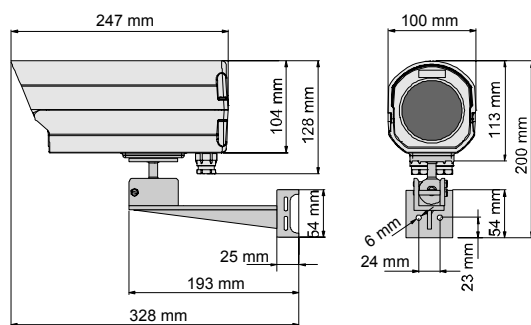
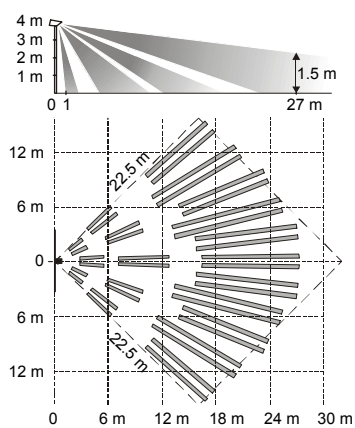
Highly professional. Uniform high sensitivity is achieved through special focused mirror optics and microprocessor-controlled signal analysis. Adaptive threshold decoding for feedback of ambient conditions and true temperature compensation ensure reliable detection. This comprehensive protection concept gives the detector outstanding immunity against environmental influences such as temperature fluctuations, rain, snow, electromagnetic fields and dazzling lights.

Coverage area and dimensions

IS390



IS390H



Technical data

Type	IS390	IS390H
Detection characteristics / Range	Wide angle / 21 m	Wide angle / 27 m
Power supply / max. ripple (0 ... 100 Hz)	10.5 ... 28 VDC (12 V nom.) / 2 VPP	
– Voltage monitoring	Alarm < 8.2 VDC	
Power consumption (at 12 VDC), quiescent	20 mA	20 mA
Heating	–	12 VDC / 24 VDC typ. 2 W at -40 °C
Alarm output (single pole contact)	28 VDC / 250 mA (10 W)	
Alarm hold time	2 ... 3 s	2 ... 3 s
Electronic alarm output (open collector)	60 VDC / 20 mA	60 VDC / 20 mA
Tamper output (cover switch)	30 VDC / 100 mA	30 VDC / 100 mA
Control input: Walk test; Unset/Set	LOW ≤ 1.5 VDC / HIGH ≥ 3.5 VDC	
ATD Adaptive Threshold Decoding adjustment	activated / deactivated	activated / deactivated
Sensitivity adjustment	100 / 75 / 40%	100 / 75 / 40%
Pulse count adjustment	Off / On	Off / On
Operating temperature	-20 ... + 60 °C	-40 ... + 60 °C
Storage temperature	-20 ... + 60 °C	-40 ... + 60 °C
Air humidity (EN 60721)	< 95% r.h., non-condensing	
Housing protection (EN 60529, EN 50102)	IP64	IP64
EMI rejection 80 ... 1000 MHz	> 10 V/m	> 10 V/m

Details for ordering

Type	Part no.	Designation	Weight
IS390	539827	Outdoor passive infrared detector, wide angle	1.115 kg
IS390H	A5Q00005094	Outdoor passive infrared detector, wide angle, with heating	1.115 kg
ISIF485	556662	Installation module and software	0.485 kg

Siemens Building Technologies AG
 Alte Landstr. 411
 CH-8708 Männedorf
 Tel. +41 1 - 922 6111
 Fax +41 1 - 922 6450
 www.sibt.com

© 2003 Copyright by
 Siemens Building Technologies AG
 Data and design subject to change without notice. Supply subject to
 availability.