



IR200CD

Visatec II

Passive infrared detector

- 15 m wide angle with look down zone or 25 m continuous curtain (optional)
- Fully digital VISATEC II signal evaluation
- Intelligent temperature compensation
- Choice of four application settings
- Three-stage white light filter with changeable black mirror optics

Versatile application. An attractive design, time-saving installation, reliable detection and outstanding immunity make the IR200CD the ideal motion detector for industrial and commercial applications, as well as for more demanding and sophisticated applications in the private sector.

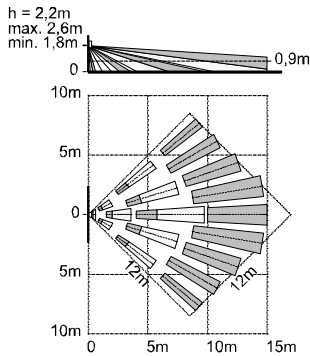
Fast and simple to install. The versatile housing base allows wall and corner installation without accessories.

Outstanding immunity. A comprehensive protection concept makes the detector insensitive to environmental problems.

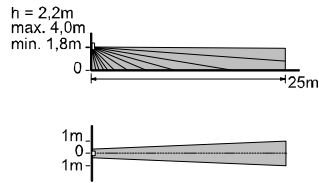
Safe detection. The patented mirror optics guarantee a high level of detection reliability, thanks to a look down zone for crawl protection, and uniform sensitivity in the 'chessboard' zone pattern. Multi-criteria signal analysis system differentiates intelligently and reliably between intruders and disturbance signals.

Coverage areas and dimensions

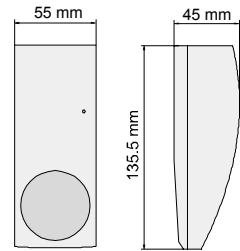
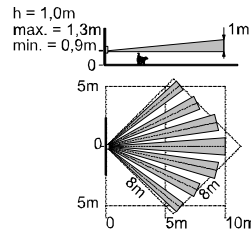
Wide angle mirror (standard)



Curtain mirror, IRS162



Pet mirror, IRS164



Technical data

Supply voltage	8 ... 16 VDC (12 V nom.)
- Maximum ripple (0 ... 100 Hz) / Voltage monitoring.	2 VPP / Alarm at <6.5 ... 7.9 V
Current consumption (at 12 V)	
- Quiescent / Max. when alarm occurs (with LED)	7 mA / 16 mA
Alarm outputs	
- Relay contact / Alarm holding time	30 VDC/250 mA/32 Ω / 2 ... 3 s
Tamper contact	30 VDC/50 mA
Control inputs (walktest)	LOW ≤1.5V / HIGH ≥3.5V
Walking speeds: IR200CD (at 14 m)	0.2 ... 3 m/s
- IRS162 (at 22 m) / IRS164 (at 9 m)	0.2 ... 4 m/s / 0.2 ... 3 m/s
Operating temperature / Storage temperature	-20 ... +55 °C / -20 ... +60 °C
Air humidity (EN60721)	≤ 95% r.h., non-condensing
Housing protection (EN 60529, EN 50102)	IP41 / IK02
EMI rejection 1 ... 1000 MHz (EN 61000-4-3)	>30 V/m
VdS Environment Class	II
Approvals, VdS classe B, no.	CD: G199501, ME: G199503
- with IRS162	CD: G199502, ME: G199504

Details for ordering

Type	Part no	Designation	Weight
IR200CD	519371	Passive infrared detector	0.144 kg
IRS162	489375	Curtain mirror (set of 4)	0.055 kg
IRS164	503206	Pet mirror (set of 4)	0.040 kg
IRMC1	520917	Short range masking clip (set of 10)	0.125 kg
IRUM1	457310	Universal mounting fixture	0.120 kg
IRUM2	519876	Wall mounting bracket	0.100 kg
IRUM3	519889	Ceiling mounting bracket	0.160 kg
IRKL3	445788	Auxiliary terminal (set of 12)	0.020 kg
IRAK3	464853	Back tamper contact	0.007 kg
IRMF20	520920	Masking foil (set of 10)	0.075 kg
-	503251	Adhesive tamper seal	0.144 kg

Siemens Building Technologies AG
 Alte Landstr. 411
 CH-8708 Männedorf
 Tel. +41 1 - 922 6111
 Fax +41 1 - 922 6450
 www.sibt.com

© 2003 Copyright by
 Siemens Building Technologies AG
 Data and design subject to change without notice. Supply subject to
 availability.