

FK32

Hold-up foot rail

for releasing alarm or triggering surveillance cameras

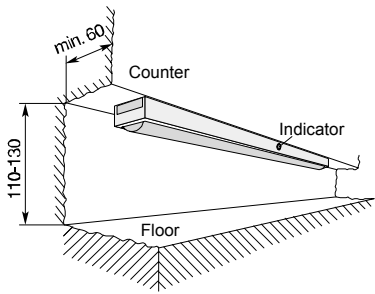
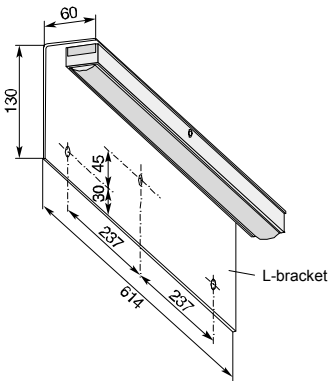
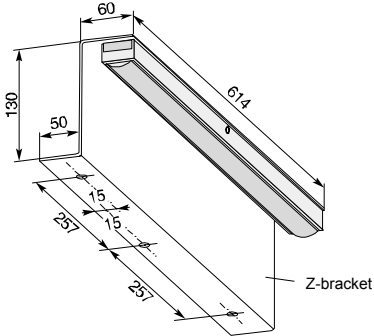
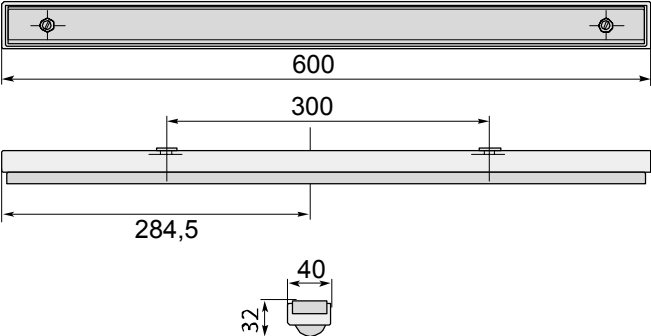
- Discreet operation for triggering alarm or camera
- Permits freedom of movement within working area
- Indicating stud can only be reset by authorised personnel
- Low noise action

Application flexible. The hold-up foot rail can be attached directly to the furniture. For wall mounting the support L-bracket (FKL3) is required. The moving part of the pedal activates a single pole double throw switch. Thus connection in a configuration normally open or normally closed is possible.

Great reliability. Compared to a contact actuated by the hand or the foot, this foot rail offers a greater security of command and does not reduce the freedom of movement instead of work. Actuation is indicated by a red stud on a long side of the unit. It can be reset manually by piercing a small cap, which, after resetting, must be replaced. Thus unauthorised resetting is clearly visible.

High quality. The hold-up foot rail consists of two rugged pressure cast sections. Connections to the SPDT momentary switch is made via terminal strips. Angled entry channels prevent tension to connection cables.

Mounting examples and dimensions

Directly mounting	Wall mounting with L-bracket FKL3	Floor mounting with Z-bracket FKL3
		
Dimensions		
		

Technical data

Output contact	NO and NC
Contact power	
– at 50 VDC	0.5 A
– at 30 VDC	1 A
Connection	Screw terminals

Ordering data

Type	Art. No.	Designation	Weight
FK32	230553	Hold-up foot rail, incl. mounting accessories and spare indicator cap	0.630 kg
FKL3	244617	L-bracket, for wall mounting	1.795 kg
FKZ3	244620	Z-bracket, for floor mounting	3.240 kg
	243689	Pack of 100 indicator caps	0.025 kg

Siemens Building Technologies AG
 Alte Landstr. 411
 CH-8708 Männedorf
 Tel. +41 1 - 922 6111
 Fax +41 1 - 922 6450
 www.sbt.siemens.com

© 2004 Copyright by
 Siemens Building Technologies AG
 Data and design subject to change without notice. Supply subject to
 availability.