

Bewator Entro

Uniclass L452	EPIC M213
CI/SfB (68.2)	X

The user-friendly, networkable access control system



Bewator Entro – the user-friendly, networkable access control system



Bewator Entro is a modern access control system developed with the focus on the end user. The first system was launched in 1997 and is today with its networkable capabilities is one of the most popular access control systems on the market.

The user-friendly access control system

Bewator Entro is an award winning PC based access control system managed in a user-friendly Windows environment developed for companies and organisations requiring a high level of security whilst at the same time being simple to manage. By avoiding the insecurity of keys which often get misplaced, Entro instead enables authorised individuals to use a card or a token to gain access into protected areas. Should an individual's card be lost or stolen, it can easily and quickly be disabled preventing its unauthorised use to gain entry. In addition, Entro is totally networkable over a companies LAN, WAN or even the Internet. It can also be used in conjunction with an intruder alarm system, thus simplifying and streamlining 'keyholder' arming and disarming procedures.

The software also comes complete with different user levels allowing for example a receptionist only to activate new cards, whereas an administrator would have permissions allowing global system changes.

The installer's choice

Bewator Entro has also been created with a focus on ease of installation. Its Segment Controllers, Door Controllers and Readers are easy to install and to run, allowing lower installation costs. The Entro software can communicate in various ways with its system controllers and can even utilise an existing local area network without interfacing equipment. This makes the system more flexible and facilitates installation.

Bewator Entro – a long-term investment

Bewator Entro is an investment for the future as our strong focus on the development of all the components of the system ensure that performance and user friendliness are constantly enhanced. We also focus on ensuring any new software or hardware platforms are backwardly compatible with older versions. Therefore, Entro is not just an investment for your company today but for the future as well. As your company grows and its needs expands, so does Entro from a single door and a limited number of users up to a maximum of 512 doors and 20,000 cardholders!



An extensive base of installed systems

Bewator Entro was an immediate success when it was launched in 1997 and is today one of the most purchased access control systems on the market. A total of more than 5,000 systems have been delivered, which together secure more than 50,000 doors in the world. Bewator Entro's performance and functionality have continuously progressed and adapted to meet the market's needs.

Version 1 - 1997

Modem control of remote systems, improved search functions, easier installation and upgrading functionality.

Version 2 - 1998

Version 3 - 2000

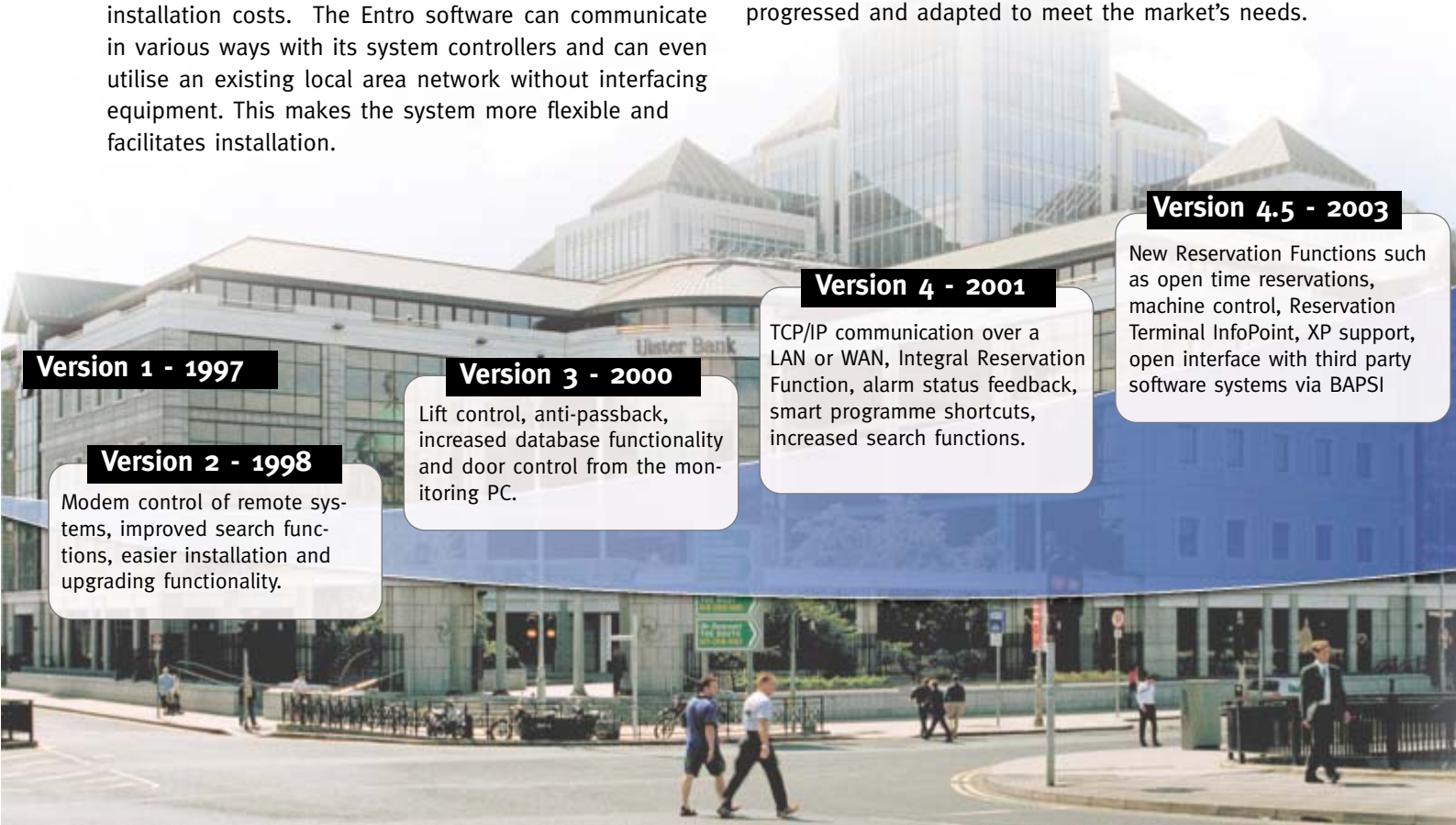
Lift control, anti-passback, increased database functionality and door control from the monitoring PC.

Version 4 - 2001

TCP/IP communication over a LAN or WAN, Integral Reservation Function, alarm status feedback, smart programme shortcuts, increased search functions.

Version 4.5 - 2003

New Reservation Functions such as open time reservations, machine control, Reservation Terminal InfoPoint, XP support, open interface with third party software systems via BAPSI



Bewator Entro: a system for all companies

Bewator Entro is an access control system developed for companies and organisations of all sizes requiring a high level of security whilst at the same time being user-friendly and simple to manage. The award winning Bewator Entro system is suitable for commercial and industrial premises, institutions such as hospitals, or indeed any establishment requiring an effective access security solution.

For educational facilities

Bewator Entro provides an ideal solution for schools, college's and universities, enabling students and staff alike to utilize personalised security cards which, when held in the proximity of electronic readers, automatically release locks to open doors to authorised areas. Sensitive areas such as staff rooms, library's etc. are accessible only to those who are authorized to enter them. Bewator Entro can also be integrated with the CCTV system, allowing surveillance and monitoring of the exterior of the building for increased security management.



For offices

Securing an office environment without impairing the movement of people is a challenge which Bewator Entro tackles head on. The system allows for people to be categorised following the level of access needed, e.g. employees, clients, temporary staff, etc. These groups each require different access rights and time limitations to various areas in the office environment or alternatively they may require periods of open access, all are possible in Entro. As a modern access control system Entro offers complete access protection for all office doors and even the possibility to control an external alarm system that can be switched on and off with a Reader. The system offers you a complete range of reports, so at any time an administrator can check who is in the premises or who has entered a particular room or area.



For manufacturing facilities

Bewator Entro is an effective solution for all types of manufacturing facilities. With functions like roll call and anti-passback it becomes easier to monitor who is present in the premises. The system's extensive range of Readers offers the best solution for all types of doors; be it Proximity, Hand-Free, Magnetic Swipe Readers or even card & PIN for additional protection. The system even offers Automatic Vehicle Identification (AVI) for gates and barriers. The system's intelligent alarm functions can also be used integrate into external alarm systems.



For leisure facilities

Bewator Entro's Integral Reservation Function provides an online Internet reservation function allowing users to book facilities such as solariums, squash courts or other reserved areas in a leisure facility or even meeting rooms in a corporate facility. This not only offers a flexible user-friendly reservation function, but also increases efficiency within the relevant business. With Entro's open software interface, BAPSI, integration into third party systems, such as member software registration packages is also possible. With on screen event logs Entro also makes it simple to monitor who and when is accessing the different rooms and areas of the leisure facility.



Version 5 - 2005

New smart design of Segment Controllers and Door Controllers, in-built 2-port switch in Segment Controller SR34i, support of DHCP and DNS, 100 Mbit TCP/IP communication, multiple users database for up to 16 administrators, improved event buffer, possibility to connect a Wiegand Reader, automatic event backup, improved database capacity, along with many other innovative and useful functions.

Bewator Entro: reliable and advanced technology

In house developed avant-garde technologies have always been Bewator's motto. Bewator Entro version 5 is the result of almost a decade of such development. The system you see today is based upon the same fundamental idea as when it was launched in 1997, but the hardware and software have been continuously improved in order to always be one step ahead of today's demanding market.

The **SR34i** Segment Controller is Bewator Entro's heart. This is where the system's processor is located and the database is stored. Consequently the system can operate effectively without being connected to a PC, thus making the system less vulnerable and simplifying service and extension of the system.



The integrated display and keyboard enables the system status to be viewed easily and also simplifies configuration and service procedures.



A new in-built 2-port switch greatly simplifies network installations and makes it possible to create a dedicated local network only for Bewator Entro.



The controller has also an integrated web server and a port for a flash memory card; this can also be used to store web sites for the Integral Reservation Function.



The **DC-12** Door Controller can control one door, be it one Reader in, or two in and out Readers for systems requiring anti-pass back. Besides Bewator's own Cotag® Technology Readers, any third party Wiegand or Clock & Data Reader can be connected via a standard interface.

The **DC-22** Door Controller has many additional functions compared to the DC-12. With the DC-22 it is also possible to control an external alarm system using Alarm Status Feedback (ASF). The DC-22 can control two electrical locks allowing the Night & Day locks functions. It also has two relay outputs for door warning, pre-warning and alert alarm.

Both the DC-12 and DC-22 are designed with the installer in mind, focusing on ease of installation and maintenance. Every Door Controller also has a display that indicates the Controller's status in the system. In addition all Segment and Door Controllers are of course equipped with a tamper switch.

Cards and Readers: for all needs and environments

Bewator offers the broadest range of Readers, keypads and cards on the market with the ability to satisfy most needs and environments. You are free to mix different types of Reader in any one system, as security or usage requirements for can vary for different access points.

Proximity Readers: by simply holding your card or tag in front of the reader (typical ranges 5-30cm), if it is valid, the door is then unlocked. There are several models available, for indoor and outdoor use and with or without keypad. The 'close' Proximity Reader is the preferred choice in the today's market, with benefits such as simplicity, reduced risk of manual interference and less wear and tear on the cards when compared with Magnetic Stripe Readers.

Hands-Free Readers: when used in conjunction with Bewator's patented Cotag® Active Technology, cards can read from a distance of up to 1 metre without you having to present your card - even if it happens to be in your pocket or bag. The Reader can

also be installed inside a wall or behind a glass partition, making it highly resistant to interference and vandalism. This is an extremely straight forward and practical solution, and addresses many common building security issues.

Magnetic Stripe Readers: simply swipe the card through the slot in the Reader to gain Access. Models available with or without a keypad.

Keypads: On some doors it may be enough just to have a common code. You need only to enter the correct code to gain access.



PR500-AB Mullion Mount Proximity Reader: narrow enough to mount on any doorframe - up to 30cm read range.

SP500-AB Switch Plate Proximity Reader: designed for mounting on a single gang flush mounting electrical back box - up to 30cm reading range.

HD500-2-AB Heavy Duty Proximity Reader: ideal for locations vulnerable to physical attack, impact and fire resistant - up to 30cm read range.

PM500-AB Panel Mount Proximity Reader: fits into 3rd party enclosures, e.g. Door Entry Phones, barriers or turn-styles - up to 28cm read range.

BC43: Card and PIN Reader. Proximity or Magnetic Stripe versions available.

HF500-Entro & BC-5511 Hands-Free Readers: Cotag® Hands-Free Technology provides up to 1m reading range - the ideal choice for high throughput access doors, disabled access, parking barriers and warehousing.

BC-5270 Loop Coupler: Using Cotag® Hands-Free Technology a simple wire loop providing up to 2 metres reading range using Active cards and tags. Ideal for healthcare systems and asset management.

Glass Readers: Cotag® Hands-Free Technology - Ideal for high profile customer facing environments where aesthetics, style and corporate customisation is required - up to 80cms reading range.

IP810 InfoPoint: Reservation Terminal for use with Entro's Integral Reservation Function

Cards and tags

Bewator offers a large range of cards and tags for secure and smooth passage. It is possible to use both Active and Passive cards and tags with almost any Reader in Bewator's range.



IB-1: Magnetic Stripe card

IB-958/M: Passive ISO card with or without magstripe, suitable for Photo ID



IB-968: Passive clamshell card



IB-961: Passive keying tag



IB-958/M: Passive ISO card with or without magstripe, suitable for Photo ID



IB-911: Active keying tag



IB-970: Active vehicle tag

Bewator Entro: a networkable and flexible system solution

Bewator Entro's development process has always been focused on the creation of a flexible and user-friendly system, without compromising on performance and functionality. The system offers today all the functions the markets requires from a modern access control system.



Lift and machine control

With the IOR6 Input/Output Unit Bewator Entro can control which floors staff can access via a lift or automate such functions as machine control. The IOR6 can also

be used for a series of other functions such as monitoring outputs for alarm events within the system or emergency opening of all doors, after a signal of the fire alarm, or even control equipment used in a room reserved via Entro's Integral Reservation Function.



Reservation through reservation terminal or Internet

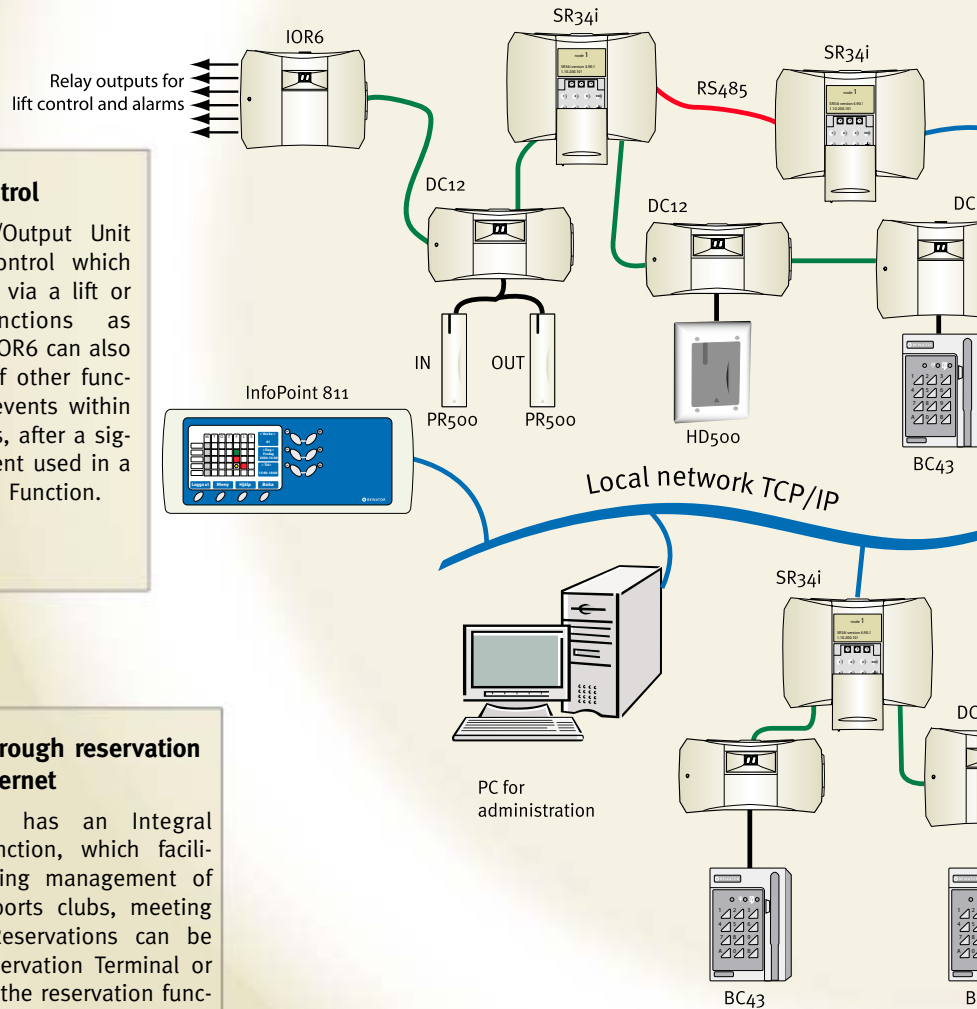
Bewator Entro has an Integral Reservation Function, which facilitates the booking management of facilities like sports clubs, meeting rooms, etc. Reservations can be

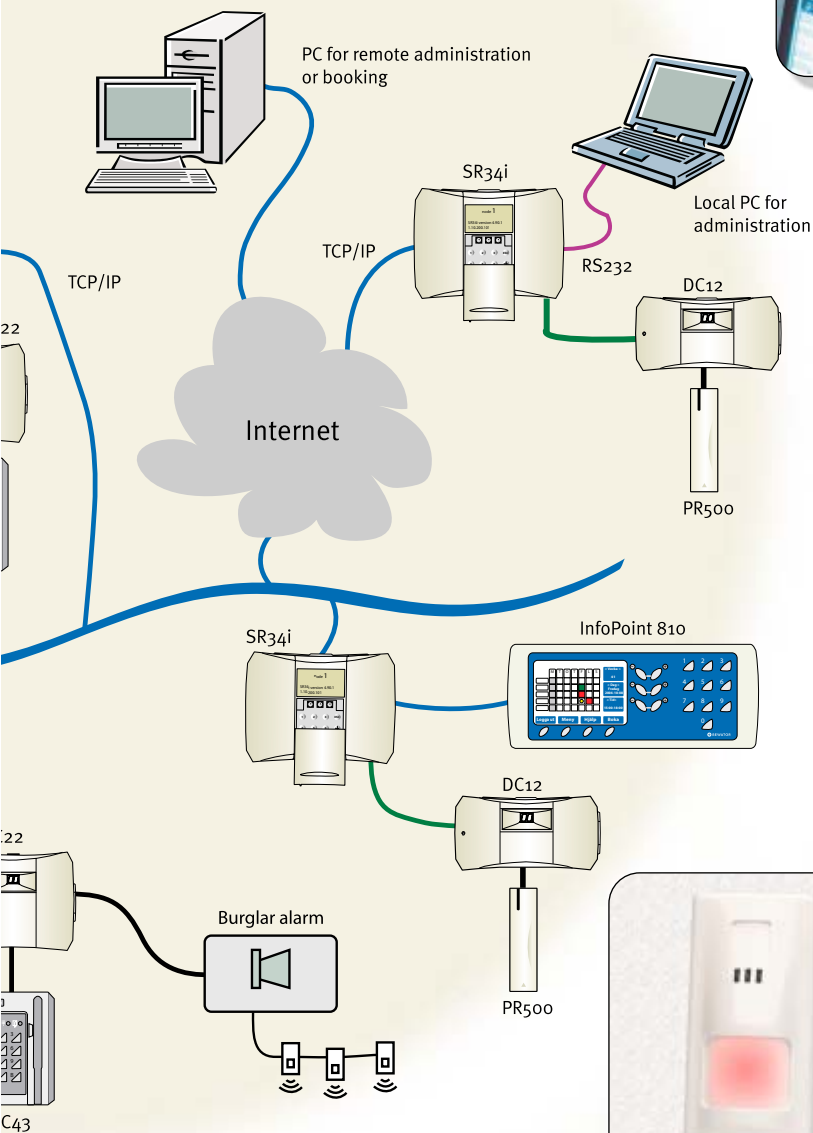
done either through the InfoPoint Reservation Terminal or through Internet. More information on the reservation functions can be found in the brochure "Bewator Entro – For reserving access to premises".



Simple and geographically independent administration

Bewator Entro's software is installed locally on a normal PC. It can be connected directly to the system or through the local network, Internet or modem, which means that it is possible to administrate the system from anywhere in the country. When the system is operating the PC only needs to be connected to the system in order to add, delete or amend records, run reports or view log files. This because the SR34i Segment Controller is the heart of the system and stores all the information.





Open system

Bewator Entro allows integration with other third party systems, such as Time and Attendance or Accountancy packages through the unique open interface BAPSI.



Simple and flexible communication

Bewator Entro's Segment Controllers can communicate in number of ways, via RS485, the most traditional way. The system can also use an existing data network (LAN) via

TCP/IP, thus reducing cable use and reducing installation costs. The different communication methods can be combined within or between several Entro systems. The possibility to choose among different types of communication allows the system flexibility and geographically independent and with all data transmissions 128 bit encrypted maximum security is always ensured.



Intelligent alarm control

Bewator Entro has a specialised function for bypassing and controlling external intruder alarm systems. By creating alarm zones within the Entro software, it enables all Readers in the system

to recognise if the alarm has been activated or not. This makes it possible to turn on the alarm on via one door and to turn it off via another door. Entro also has an intelligent Alarm Status Feedback (ASF) enabling the access control system to follow the status of the alarm system.



Roll call and anti-passback

Roll call and anti-passback are functions that are used to control who is present in a determined area. This provides an overview of who is on the premises and their last known location, extremely useful for roll call and disaster management.

Bewator Entro: the best choice

Bewator Entro: the best choice

Bewator Entro's strength is its multi-functionality and user friendliness. The system is suitable for all environments where restricting access to non-authorized persons is needed, without impacting on the free movement of authorised personnel. The system can be administrated by anyone, making it appropriate for small businesses as well as large companies. The system also offers a large range of Readers suitable for all needs and any type of environment.

Today more than 5,000 Bewator Entro systems have been installed, securing together over 50,000 doors. This success can be explained through the continuous development of Entro, ensuring a constant stream of new functionalities needed on the market, without ever compromising on the user friendliness.

Take the step towards a more secure, safe and comfortable environment with Bewator Entro.



Bewator Entro Features

The software can control up to 1,000 systems (buildings) that can each handle:

- 512 doors
- 20,000 cards/persons
- 480 access groups
- 240 time schedules
- 240 zones: alarm control, anti-passback, roll control, entrance restriction
- Open TCP/IP interface to other software systems through BAPSI
- Supports WIN98/2000, NT4 and XP
- Software supplied on CD-ROM, with matching manuals



Integral Reservation Function Features

- 64 reservation objects or machine groups
- 10 relay control units for every machine group
- 32 timetables with 24 time periods each
- Fixed or open reservation times
- Reservation via Internet and/or Reservation Terminals IP810 & IP811
- Confirmation via e-mail



Bewator Ltd, Albany Street, Newport, South Wales, UK. NP20 5XW
Tel: 01633 821000, Fax 01633 850893
www.bewator.co.uk • E-mail: sales@bewator.co.uk

