



CVVS1317-LPOIR

Super High Resolution Analogue Vandal Fixed Dome Camera, 2.8 – 10.5 mm, 960H Technology, Integrated IR Illumination

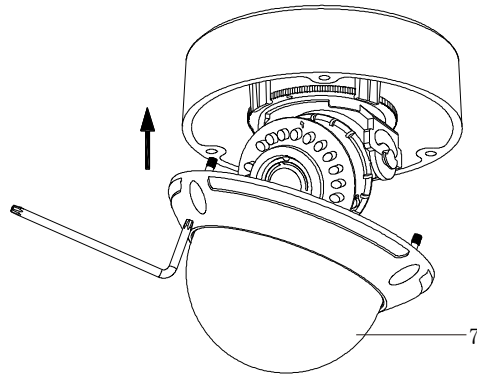
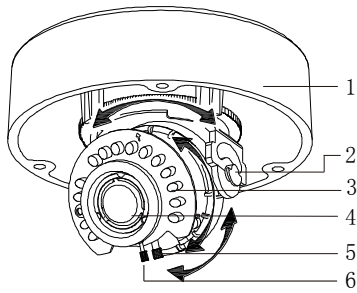


CVVS1317-LPOIR

The CVVS1317-LPOIR vandal dome-camera features an adjustable varifocal lens, integrated IR illumination and IP66 and IK10 vandal-proof outdoor housing. The electronic design is based on latest 960H sensor technology delivering detailed video resolution up to 700 TVL.

The CVVS1317LPOIR features built-in IR illuminators effective up to 15 meters and true day/night function that switches automatically between colour or B/W mode based on ambient illumination to maintain crystal clear images all day long. The integrated OSD setup menu supporting multiple languages allows individual setup of the camera to fulfil all major environmental requirements. A number of advanced features like 2D DNR, ATR, HLC, safety cord and power alternative (DC 12V / AC 24V) make the CVVS1317-LPOIR an excellent choice for professional outdoor surveillance and security applications.

- SONY ICX 673/672AKA 1/3" EXview HAD CCD II sensor
- Max. 700 TVL horizontal resolution image quality (960H Sensor Technology)
- Outstanding performance with low ambient light
- 2D DNR, ICR D/N, ATR, BLC
- 4 areas motion detection and 8 privacy zones
- IR distance 15 m
- IP66 rating housing
- Anti Creep
- Multi-language OSD
- DC 12 V / AC 24 V \pm 10%



Legend

- 1 Camera bottom case
- 2 Tilt adjustment bracket
- 3 IR board
- 4 Lens
- 5 Zoom lever / locking screw
- 6 Focus lever / locking screw
- 7 Dome cover

■ Technical data

CVVS1317-LPOIR

Format	PAL
Image System / IC	
Image device	SONY ICX 673AKA 1/3" Exview HAD CCD II
Pixel elements	Effective pixels: 976 (H) x 582 (V) Total pixels: 1020 (H) x 596 (V)
Optical System	
Focal length	F: 2.8 – 10.5 mm
Lens aperture	F 1.2
Angle of view	Wide: 101.8° (H), 73.7° (V) Tele: 27.4° (H), 20.6° (V)
D/N mechanism	ICR D/N
Electrical Specification	
TV system	2:1 interlace
Video system	PAL
Horizontal resolution	max. 700 TV lines, typ. 650 TV lines
S/N ratio	48 dB (default) > 52 dB by parameter adjustment
Minimum illumination	Model without IR F1.2 @ 50 IRE, 0.1 lux Model IR, 0 lux (IR on)
Gain control (AGC)	On / Off (selectable)
Synchronization system	Internal / line lock
Electronic shutter	1/50 – 1/100,000 sec
White balance	ATW / Manual / User 2 / User 1 / Push / Push lock / ANTI colour rolling
Gamma compensation	0.45
Back-light compensation (BLC)	Off / BLC / HLC (High Light Compensation) (selectable)
DNR	2D
WDR	Digital WDR
Motion detection	Yes, 4 areas (max.)
Privacy zones	Yes, 8 zones (max.)
OSD	Yes
ATR (similar to WDR)	On / Off (selectable)

CVVS1317-LPOIR

Multi-language	Yes (8 languages: English, German, French, Spanish, Portuguese, Russian, Japanese, Simplified Chinese)
Video Output Signal	
Video output	VBS (1 Vpp, 75 Ohm, BNC)
IR	
IR distance	15 m
IR LED	14 pcs.
IR wavelength	850 nm
IR turn on status	By photocell auto-controlled
Mechanical	
Case material	Metal
Dimensions	135 mm (D) x 108.8 (H)
Waterproof	IP66
Weight	Approx. 680 g
Power Supply	
Input voltage	DC 12 V / AC 24 V \pm 10%
Power consumption	Max. 5 W
Environment	
Operating temperature	-10 to +50°C
Storage temperature	-20 to +60°C
Relative operating humidity	90% max.
Relative storage humidity	70% max.

■ Details for ordering

Type	Part no.	Designation	Weight
CVVS1317-LPOIR	S54561-C102-A100	Vandal Dome, 1/3'', max. 700 TVL	Approx. 800 g

The information in this document contains general descriptions of technical options available, which do not always have to be present in individual cases. The required features should therefore be specified in each individual case at the time of closing the contract.

© Siemens AB • Document no. C-300069 • Edition:09.2013