



CVVB1315-LC, CVVC1315-LP, CVVS1415-LP

Vandal Proof domes with varifocal lens

-
- Discreet and compact design
 - High Performance Aspherical Lens F1.0 on Colour / Mono models
 - Mechanical IR cut filter (day-night model)
 - Wall and recessed mounting options
 - IP66 protection rating
 - Impact resistant 1000 kg
 - Switchable BLC (6 predefined fields with remote software)
 - Dual Voltage 12 V DC/24 V AC (line-lock phase adjustment)
 - Full X, Y and Z axis adjustment for wall and ceiling mount
 - Tinted protective lower bubble
 - Easy Setup with local connection port

Attractive high resolution dome cameras for either ceiling or wall mount, complete with tinted protective bubble. Includes service monitor connection and cable for easy local setup. Designed for indoor or outdoor (IP66 rating) applications where discreet unobtrusive surveillance is demanded.

Application

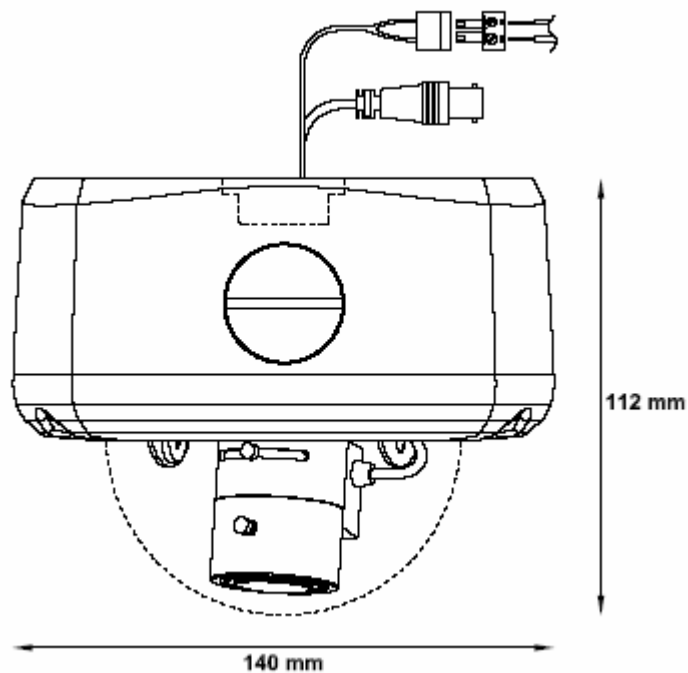
- **Versatile – ease of use**

The CVV series of Varifocal Vandal resistant dome cameras feature a 1/3-inch Super HAD (1/4-inch EXVIEW HAD on the Day-Night model) CCD coupled with a High Performance Varifocal Aspherical auto-iris lens allowing the camera to be used in a wide range of indoor and outdoor applications including retail, commercial buildings, museums, banks or hotels. Easy to access DIP switches for White Balance, Backlight Compensation, Line-Lock phase adjustment, AGC and auto-iris lens adjustment ensures complete flexibility. Coupled with the PC remote setup software it provides the added benefit to customise the cameras usability further with the colour and day-night models.

- **24 hour surveillance**

With a mechanical IR cut filter, the day-night model ensures crisp, sharp images both by day in colour and when used with an infrared illuminator, in monochrome at night.

Dimensions



Technical data

	CVVB1415-LC	CFVC1415-LP	CFVS1415-LP
General			
Fixed Dome	High Resolution Monochrome	High Resolution Colour	High Resolution Day-night
Image sensor	1/3-inch CCD	1/3-inch CCD	1/4-inch CCD
Horizontal resolution	580 TV lines	480 TV lines	480 TV lines
Minimum illumination (at 50 IRE)	0.05 Lux	0.47Lux	0.34 Lux - colour 0.15 Lux - mono
S/N ratio	> 50 dB	> 50 dB	> 50 dB
Electronic shutter (AES)	Autom. 1/50 to 1/100000 s	Autom. 1/50 to 1/100000 s	Autom. 1/50 to 1/100000 s
Backlight compensation	ON or OFF	ON or OFF (software - 6 zones)	ON or OFF (software - 6 zones)
Gain control	AGC ON or OFF	AGC ON or OFF	AGC ON or OFF
White balance	–	Automatic	Automatic
Bubble type	Tinted	Tinted	Tinted
Video output			
Format	CCIR, 625 lines	PAL, 625 lines	PAL, 625 lines
Signal (composite)	1 Vpp, 75 Ohm, BNC	1 Vpp, 75 Ohm, BNC	1 Vpp, 75 Ohm, BNC
Local Service Monitor output	Yes (cable included)	Yes (cable included)	Yes (cable included)
Lens details			
Focal length	3.0 to 8.0 mm (Aspherical)	3.0 to 8.0 mm (Aspherical)	2.8 to 5.8 mm
Focus type	Adjustable	Adjustable	Adjustable
Maximum relative aperture	F1.0 to 360	F1.0 to 360	F1.4 to 360
Iris	Direct drive auto-iris	Direct drive auto-iris	Direct drive auto-iris
Horizontal angle of view	36 to 91°	36 to 91°	35.9 to 74.7°
Minimum object distance	0.2 m	0.2 m	0.2 m
Electrical			
Supply voltage	12 V DC / 24 V AC 3.5 W	12 V DC / 24 V AC 3.5 W	12 V DC / 24 V AC 3.5 W
RS232 remote setup (optional)	–	Yes	Yes
Mechanical			
Dimensions (Ø x H)	140 x 112 mm	140 x 112 mm	140 x 112 mm

Details for ordering

Type	Part no	Designation	Weight
CVVB1315-LC	2GF1185-8AA	1/3-inch CCD Vandal Resistant Dome, High Resolution Monochrome 12 V DC/24 V AC, 3.5 W	1.7 kg
CVVC1315-LP	2GF1085-8AC	1/3-inch CCD Vandal Resistant Dome, High Resolution Colour 12 V DC/24 V AC, 3.5 W	1.7 kg
CVVS1415-LP	2GF1185-8AE	1/4-inch CCD Vandal Resistant Dome, High Resolution Day-Night 12 V DC/24 V AC, 3.5 W	1.7 kg

Accessories, not included in delivery

Type	Part no	Designation	Weight
CVV-FMK	2GF1086-8AC	Flush mount kit for Vandal Domes Series	1.5 kg
CVVA-WB	2GF1086-8AD	Wall Bracket for Vandal Dome Series	1.6 kg
CVVA-CD	2GF1086-8AH	Clear lower dome Vandal Series	0.3 kg