



# CVMW3025-IR

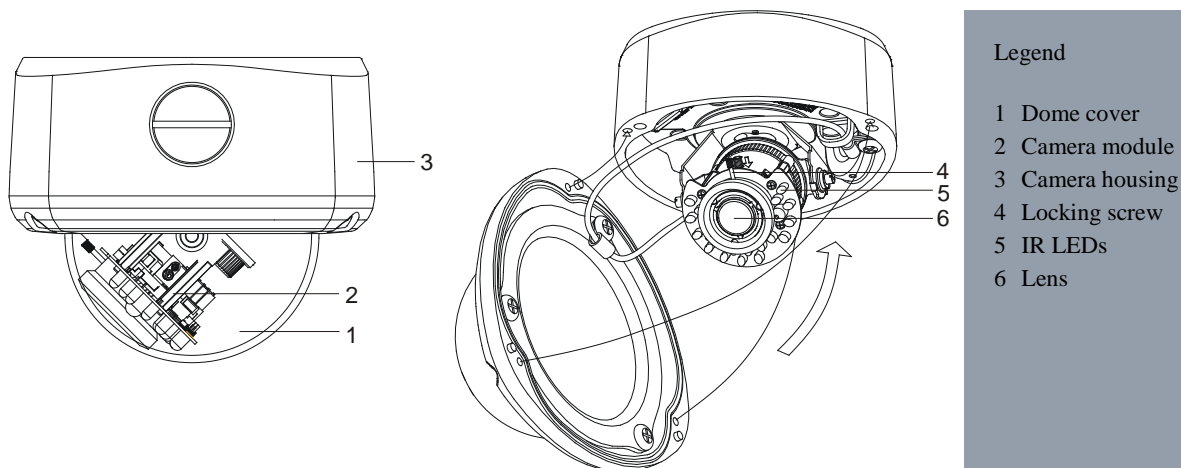
**3MP Full HD Wide Dynamic IP Vandal-Dome Camera  
H.264, MJPEG**



CVMW3025-IR

This 3 MP full HD vandal-proof IP dome camera with motorised varifocal lens allows the use in almost every networking application. The integrated IR-illumination ensures the best possible image quality for every application. Due to the H.264 and MJPEG encoding functionality and the state-of-the-art ONVIF compatibility, the dome can be easily integrated into 3<sup>rd</sup>-party systems. A wide range of accessories is available, and a protection rating of IP66 and IK10 ensures that the dome will withstand even the roughest conditions.

- Simultaneous H.264 and MJPEG encoding
- Up to 3 MP resolution supporting full HD 1080p
- Vandal-proof outdoor housing design IP66 and IK10
- Integrated IR-illuminators
- Hybrid video: CVBS: up to 480 TVL (PAL / NTSC switchable)
- Bidirectional monaural audio
- ONVIF protocol support (Streaming Profile S compliant)
- D/N with mechanical IR-cut filter
- Digital WDR functionality 57 dB
- Excellent low-light sensitivity
- Integrated motorised varifocal lens F1.2, 3 – 9 mm
- Setup of zoom and focus via web browser and one-push autofocus
- Basic motion detection and tamper alarm
- Support SDXC up to 128 GB for local alarm recording (4 GB incl.)
- 4 user-definable privacy zones
- 24 V AC and PoE power supply



#### Legend

- 1 Dome cover
- 2 Camera module
- 3 Camera housing
- 4 Locking screw
- 5 IR LEDs
- 6 Lens

#### ■ Details for ordering

Type	Part no.	Designation	Weight
CVMW3025-IR	S54561-C107-A300	1/3'' IP Vandal Dome, 3 MP, D/N, WD, IR Illuminator	1.2 kg

#### ■ Technical data

Model	CFMW3025
Image sensor	1/3'' AR0330 CMOS
Effective pixels	2048 (H) x 1536 (V)
Image compression method	H.264 / MJPEG (Triple streaming)
Image frame rate	2048 x 1536 @ 12 fps (PAL) and 15 fps (NTSC ) 1920 x 1080 @ 25 fps (PAL) and 30 fps (NTSC )
Video output	Max. 100 m CVBS @ 25 fps for PAL CVBS @ 30 fps for NTSC
<b>Electrical</b>	
Sync system	Internal
S/N ratio	> 50 db
Lens type	Motorised varifocal Megapixel IR coated, F1.2, 3 – 9 mm (setup via web browser)
Horizontal viewing angle	Wide: 94° (H), 50° (V) Tele: 33° (H), 19° (V)
Low light technology	Light booster
IR cut filter	Yes
IR LEDs	24
IR distances	15 m
Gamma correction	0.45
Sensitivity Colour / B&W	Colour: 0.3 lux (F1.2) 50 IRE B/W: 0.1 lux (F1.2) 50 IRE, 1/30, Max. Gain
White balance	ON / OFF / Indoor / Outdoor
Electronic shutter	1/25 – 1/8192 s for PAL 1/30 – 1/8192 s for NTSC
BLC	6 zones
AGC	Auto
Audio codec	G.711(A-Law / u-Law)
Audio feature	Two-way mono audio; full-duplex, switchable on/off

Integrated microphone	No
Alarm	Yes; 3x Alarm In & 1x Alarm Out
Intelligent Engine	Tamper alarm Acoustic detection/alarm
Motion detection	Yes; 12 x 8 MD windows & 100-level sensitivity & 100-level object size
Privacy zones	4
WDR	Digital WDR: 57 dB
Image enhancement	3 DNR
<b>Power supply</b>	
Power requirement	AC 24 V / PoE
Power consumption	8 W
Power connector	Terminal block
<b>Environment</b>	
Operating temperature	-10 to +50°C
Relative humidity	0 – 80% RH
Storage temperature	-20 to +60°C
<b>Network</b>	
Web browser	IE 6.0 above/ Firefox, Safari with VLC plug-in Internet Explorer IE8 / IE9 / IE10, Firefox, Google chrome with VLC plug-in
Security	Firewall / forbidden protocol / 802.1x
Ethernet	1 x 10/100 base-T Ethernet connection for LAN
Network protocols	TCP/IP, UDP, HTTP, SMTP, SNMP, DNS, DHCP, NTP, ARP, ICMP, FTP, DDNS, RTSP, RTP, RTCP, IGMP, UPnP, IPv4, IPv6, CIFS, NFS, IEC802.1x, Bonjour
<b>I/O connector</b>	
Power In	2-pin screw type terminal block
Network port	RJ45 with LEDs
Audio IN/OUT	Spring type terminal block
Alarm I/O	Spring type terminal block
Video port	2-pin video connector
<b>Mechanical</b>	
IP rating	IP 66
Dimensions (Ø x H)	140 x 115 mm
Weight	1.2 kg

The information in this document contains general descriptions of technical options available, which do not always have to be present in individual cases. The required features should therefore be specified in each individual case at the time of closing the contract.

© Siemens AB • Document no. C-300063 • Edition: 13.08.2013

[www.siemens.com/securityproducts](http://www.siemens.com/securityproducts)

Siemens AB  
Infrastructure & Cities  
Security Products  
International Headquarters  
Englundavägen 7  
SE-171 24 Solna  
Tel. +46 8 629 0300  
[www.siemens.com/securityproducts](http://www.siemens.com/securityproducts)