

CVMS2011-IR

VANDERBILT

2 Megapixel IR, fixed lens vandal-proof network dome camera

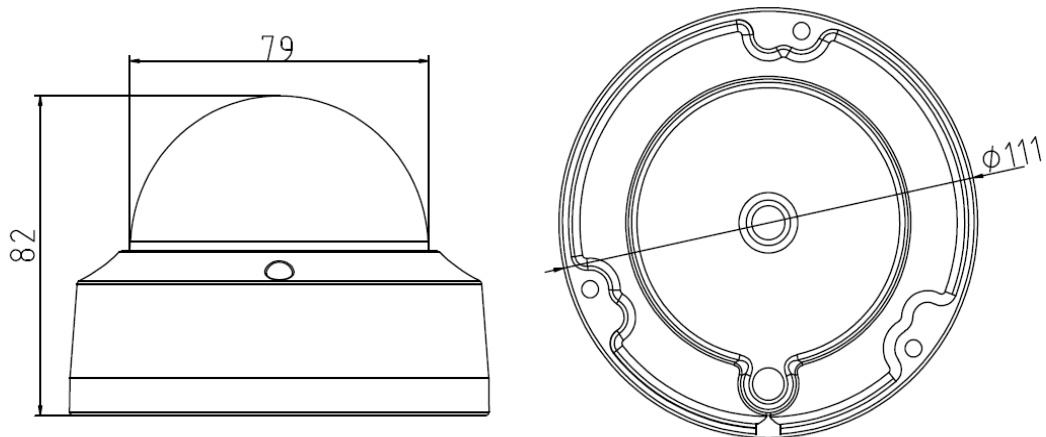


The Eventys range offers variants of up to H.264 IP compression efficiency and optimised codec technology, alongside two network video recorders (NVRs). With a simple set up procedure, these products offer outstanding functionality and flexibility, and are perfect for small to medium sized installations.

The Eventys CVMS2011-IR IP dome camera features 2MP resolution with a fixed lens. Powering and connecting the dome camera is a simple and straightforward exercise thanks to the use of power over Ethernet (PoE). Coupled with automatic IP address allocation, auto-device detection and connection (from Eventys NVRs), Eventys IP cameras truly are plug and play. Robust, reliable and suitable for a wide variety of applications, the cameras are built into an IP67 rated weatherproof enclosure, while advanced CMOS progressive scanning allows the camera to obtain values from each pixel in the sensor and scans to produce a complete picture.

Key features include:

- Up to 2 megapixel (1920 × 1080) resolution
- Standard video compression with high compression ratio
- ROI (region of interest) encoding
- Progressive scan CMOS, capture motion video without incised margin
- Support dual stream, and the sub-stream for mobile surveillance
- High-performance and long service life Infrared LED, Approx. 10 to 30 meters IR range
- IR cut filter with auto switch
- PoE (Power over Ethernet)
- Built-in Micro SD/SDHC/SDXC card slot, up to 128 GB
- Ingress Protection level: IP67
- Impact Protection: IK10
- Other functions: rotate mode, alarm, mirror, reset button, etc
- Support smart function: Intrusion detection and line crossing detection
- VCA features are supported



Technical data

Model	CVMS2011-IR
Camera	
Image Sensor	1/2.8" Progressive Scan CMOS
Min. Illumination	0.028 Lux @ (F2.0, AGC ON) ,0 Lux with IR ON
Shutter Speed	1/3 s to 1/100,000 s
Lens	2.8mm @ F2.0 Angle of view: 106° (2.8mm)
Lens Mount	M12
Day & Night	IR cut filter with auto switch
Digital Noise Reduction	3D DNR
Wide Dynamic Range	Digital WDR
Angle Adjustment	Pan:0° - 355°, Tilt: 0° - 75°, Rotation: 0-355°
Compression Standard	
Video Compression	H.264 / MJPEG
H.264 Type	Main Profile
Video Bit Rate	32 Kbps – 8 Mbps
Dual Stream	Yes

Image	
Max. Resolution	1920 x 1080
Frame Rate	50Hz: 25fps (1920 x 1080), 25fps (1280 x 960), 25fps (1280 x 720) 60Hz: 30fps (1920 x 1080), 30fps (1280 x 960), 30fps (1280 x 720)
Image Settings	Rotate mode, Saturation, Brightness, Contrast adjustable by client software or web browser
Backlight compensation	Yes, zone optional
ROI	Support
Network	
Network Storage	NAS (Support NFS, SMB/CIFS)
Alarm Trigger	Intrusion detection, Line crossing detection, Motion detection, Dynamic Analysis, Tampering alarm, Network disconnect, IP address conflict, Storage full, Storage error
Protocols	TCP/IP, ICMP, HTTP, HTTPS, FTP, DHCP, DNS, DDNS, RTP, RTSP, RTCP, PPPoE, NTP, UPnP, SMTP, SNMP, IGMP, 802.1x, QoS, IPv6, Bonjour
Security	One-key reset, Flicker-less, dual stream, heartbeat, mirror, password protection, privacy mask, watermark, IP address filtering, Anonymous access
Standard	ONVIF Profile S
Interface	
Communication Interface	1 RJ45 10M/100M Ethernet interface
On-board storage	Built-in Micro SD/SDHC/SDXC card slot, up to 128 GB, card not included.
General	
Operating Conditions	-30 °C – 60 °C (-22 °F – 140 °F) Humidity 95% or less (non-condensing)
Power Supply	12 V DC ± 10% PoE (802.3af)
Power Consumption	Max. 5.3W
IR Range	30 meters
Ingress Protection level	IP67
Impact Protection	IK10
Dimensions	∅ 111 x 82 mm (∅ 4.4" x 3.2")
Weight	500g (1.1 lb)

Details for ordering

Type	Part no.	Designation	Weight
CVMS2011-IR	V54561-C132-A200	CVMS2011-IR 2MP dome, IR, Fixed, Vand.	500g
