

# CMTC2410

24" (61cm) Full HD TFT LED Monitor

**VANDERBILT**



The CMTC2410 is a Full High Definition TFT-LCD LED monitor that has been specifically designed for CCTV applications and is ideally suited for use with digital video recorders and PC systems. It has a very high contrast ratio and brightness combined with a large viewing angle resulting in a clear and comfortable view. The monitor features a removable desk stand and can be used for desktop or wall mount usage together with a suitable 100mm VESA mount.

The monitor features HDMI and VGA video inputs supporting video source resolutions of up to Full-HD (1920x1080). The fast panel "response-time" of 5ms reduces ghosting effects to a minimum and provides crisp picture details.

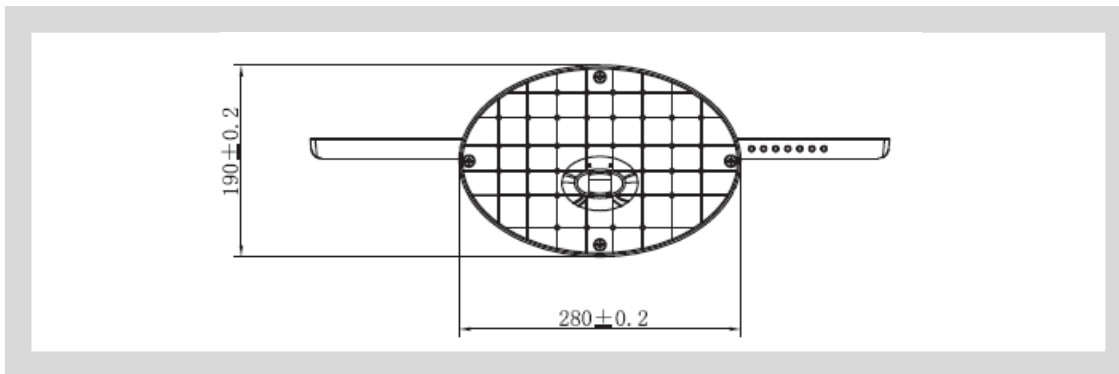
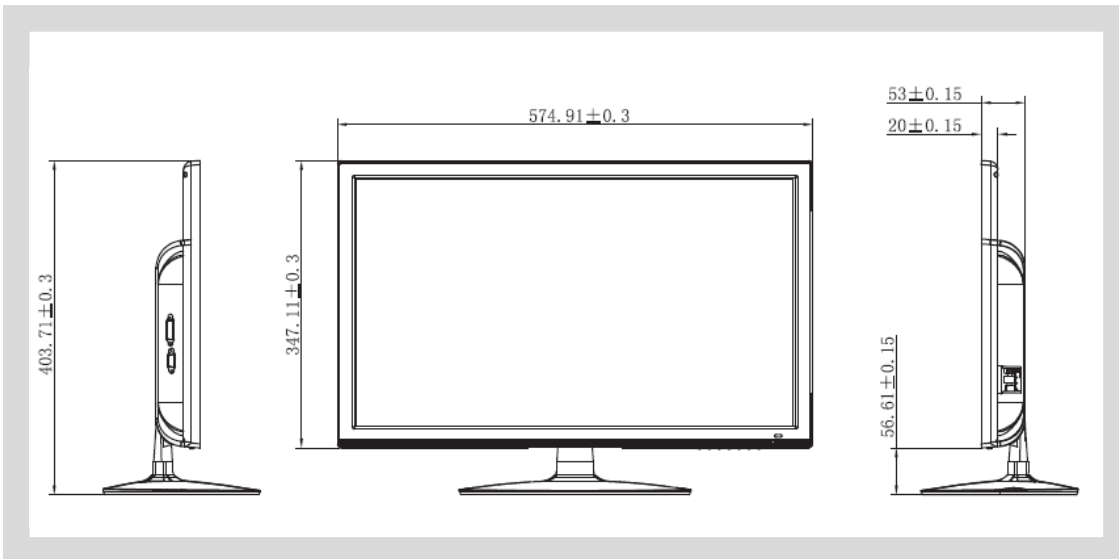
The graphical OSD menu in 7 languages make the monitor particularly user-friendly and enables the user to setup the monitor according to their individual and environmental needs.

## Key Features include:

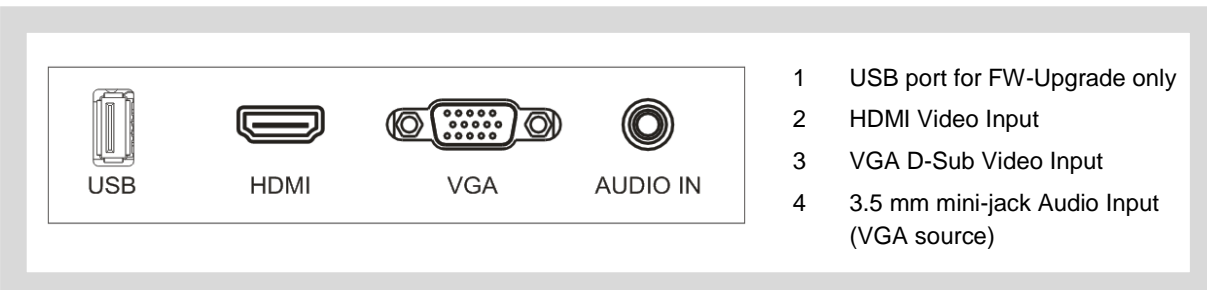
- **Grade A** high quality 24" video panel
- **Full HD screen resolution** 1920x1080 with high contrast ratio 1000:1
- **LED backlight technology** for lower power consumption
- **Bright LED illuminated panel** with ultra wide (170° H) viewing angle
- **HDMI and VGA inputs** for DVR/NVR and PC connections
- **Optimized for CCTV** and designed for 24/7 use
- **Convenient operation** via OSD menu in 7 languages
- **OSD menu selection** of 16:9 wide screen or 4:3 'SD' aspect ratio
- **Auto-on** when VGA or HDMI DVR/NVR/PC video input source is detected
- **Built in stereo** 3 Watt speakers incl. audio amplifier
- **Automatic switch** between HDMI audio support or 3.5mm analog audio input with VGA Inout signal
- **Easily removable desk stand** for optional 100mm VESA mounting
- **Power cord, HDMI, VGA and audio accessory cables included**

## ■ Dimensions

All dimensions in mm



## ■ Rear connector view



## ■ Technical data

Screen diagonal dimension	23.8" / 61 cm (viewable: 17.06 x 10.66 inch)
Led Type	RGB
Pixel Pitch	0.3 mm
Screen Maximum Resolution	1920*1080
Supported input Resolutions	720x400;640x480;800x600;1024x768;1280x1024;1360x768; 1400x900;1600x900;1680x1050;1920x1080
Color Depth	24 bits; 16.7 Million colors
Brightness	250 cd/m <sup>2</sup>
Auto Adjust	Yes
Monitor Panel Aspect Ratio	16: 9
Display Aspect Ratio	OSD selectable 16:9 or 4:3
Contrast Ratio	1000:1
Response Time	5 ms
View Angle H/V	170 / 160 degrees
Audio inputs(stereo)	1 x 3.5 mm mini-jack
Speakers	3 Watt / channel
Filter type	3D Comb Filter
De-Interlace & Noise Reduction	3D De-interlace
OSD Languages	English, Spanish, German, French, Italian, Swedish, Russian
Monitor Body Dimensions (W x H x D) With stand	577.00 x 347.70 x 51.20 mm 577.00 x 407.10 x 184.96 mm
Case & stand material	Plastic
VESA Mounting Pattern	100 x 100 mm; location centered on monitor body
Weight with Base	Net.: 4.3 kg, Gross: 5.5kg
Power Consumption	< 30 W
Power input	100...240 Vac, 50/60Hz
Operating Temperature	0°C...+40°C ( +32°F...+104°F)
Storage Temperature	-20°C...+60°C (-4°F...+140°F)

## ■ Ordering Information

Type	Part no.	Designation	Weight
CMTC2410	V54573-C105-A100	24" (61 cm) Full-HD LED Monitor	5.5kg*

\* Total weight of the product inclusive of the weight of its accessories and packaging.