



Varifocal lenses

CLVD

Aspherical, infrared-corrected

- Auto-iris lenses supplied with pre-fitted plug
- Aspherical lenses ensure excellent image quality
- Suitable for day/night cameras owing to IR corrected lenses
- Quality slip-mount connection
- Special multiple layer coating

- **CLVD series**

Manual focus, direct drive (DC-type) auto-iris lenses with standardized plug.

- **Aspherical lenses**

An aspherical lens focuses the light passing through its centre and the light passing through its edges on a single point. This results in crisp, sharply focused images, and the effective useful relative lens aperture is thereby increased by up to 2 aperture steps.

- **IR-corrected lenses**

Unlike standard lenses, IR corrected lenses compensate the focus shift which occurs when the illumination changes from visible to infrared light.

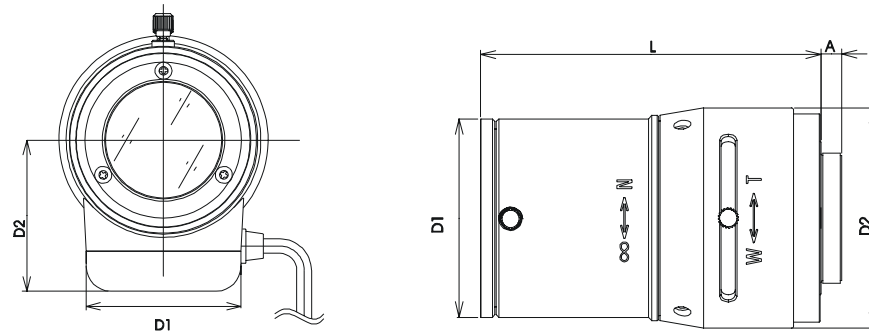
- **Multi-coated lenses**

Multiple-layer coating prevents light losses in the infrared range and reduces ghosts and reflections caused by backlight.

- **Slip-mount connection**

Slip-mount connection permits easy correction of the position of the iris motor after the lens has been attached to a camera.

Dimensions



Technical data

CLVD1218/10-40

| | |
|--------------------------|--------------|
| Focal length | 10 – 40 mm |
| Aspherical | ● |
| IR corrected | ● |
| Focus | adjustable |
| Max. relative aperture | F1.4 – 360 |
| Iris | DD-AI* |
| Mount | C |
| CCD size | 1/2" |
| Horizontal angle of view | 37.5 – 27.5° |
| Minimum object distance | 0.3 m |
| Dimensions: | |
| ● D 1 | 38.7 mm |
| ● D 2 (max.) | 52.6 mm |
| ● L (max.) | 62.0 mm |
| ● A | 4.0 mm |
| Filter thread | – |
| Operating temperature | -10 – +50 °C |

* direct drive auto-iris

Details for ordering

| Type | Part no | Designation | Weight |
|----------------|-------------|--|--------|
| CLVD1218/10-40 | 2GF1651-8AA | Aspherical IR corrected varifocal lens DD AI 10 – 40 mm F1.4 1/2" | 87.0 g |