



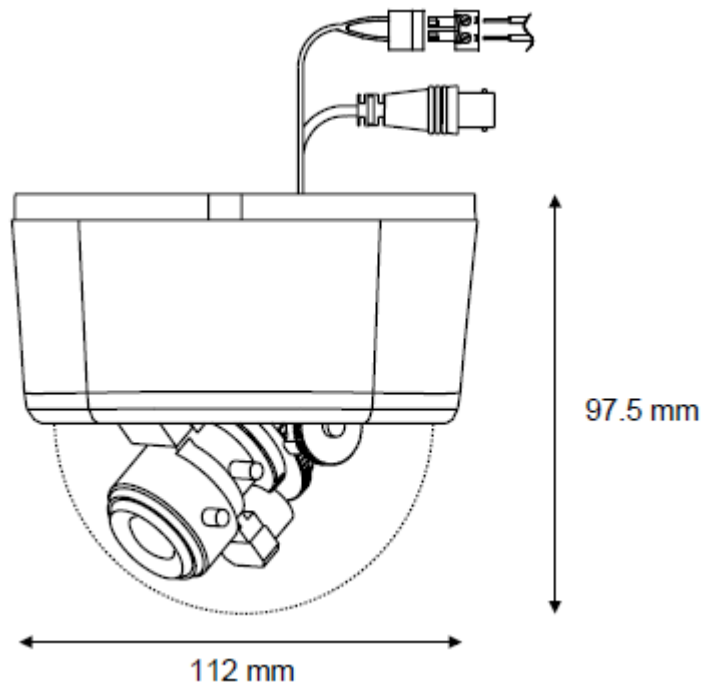
CFVS1327-LP

Super high resolution Fixed dome 650TVL (960H Sensor technology) with varifocal lens



- Discreet and compact design
- Super high resolution max. 700 TVL (960H sensor technology)
- Varifocal auto-iris lens F1,4
- Mechanical IR cut filter (Day/Night model)
- Switchable BLC (6 predefined fields with remote software)
- Dual voltage 12 V DC/24 V AC (line-lock phase adjustment)
- Full X, Y and Z axis adjustment for wall and ceiling mount
- Smoked protective lower bubble
- Easy setup via setup software with local remote-setup port

Attractive high resolution dome camera for either ceiling or wall mounting, complete with smoked protective bubble. Includes service monitor connection and cable for easy local setup. Designed for indoor applications where discreet, unobtrusive surveillance is demanded. The electronic design is based on latest 960H sensor technology delivering detailed video resolution up to 700 TVL



Dimensions

Application

■ Versatile – ease of use

The CFV series of varifocal dome camera features a 1/3-inch EXVIEW HAD CCD II on the Day/Night model. CCD coupled with a versatile varifocal auto-iris lens allowing the camera to be used in a wide range of indoor applications including retail, commercial buildings, museums, banks or hotels. Easy to access DIP switches for white balance, backlight compensation, line-lock phase adjustment, AGC and auto-iris lens adjustment ensure complete flexibility. An accessory for PC remote setup is available on Day/Night model.

■ 24 hour surveillance

With a mechanical IR cut filter, the Day/Night model ensures crisp, sharp images both by day in colour and when used with an infra-red illuminator, in monochrome at night.

■ Technical data

CFVS1327-LP

General

Fixed Dome	High Resolution Day/Night
Image sensor	1/3-inch EXVIEW HAD CCD II 976 (H) x 582 (V)
Horizontal resolution	max. 700 TV lines, typ. 650 TV lines
Minimum illumination (at 50 IRE)	
Clear bubble	0.29 Lux (colour) / 0.21 Lux (mono)
Smoked bubble	0.53 Lux (colour) / 0.43 Lux (mono)
S/N ratio	> 50 dB
Electronic shutter (AES)	1/50 to 1/100000 s
Backlight compensation	ON or OFF (software allows 6 zones)
Gain control	AGC ON or OFF (software allows 18 - 30 dB)
Sync system	Internal / line lock (AC only)
White balance	Automatic
Bubble type	Smoked

Video output

TV system	PAL, 2:1 interlace 50 Hz vertically, 15,625 Hz horizontally
Signal (composite)	1 Vpp, 75 Ohm, BNC
Local service monitor output	Yes (cable included)

Lens details

Focal length	3.7 - 12 mm
Focus type	Adjustable
Maximum relative aperture	F1.4 – 2.8
Iris	Direct drive auto-iris
Horizontal angle of view	22.7 – 76.9°
Minimum object distance	0.5 m

Electrical

Supply voltage	12 V DC / 24 V AC, 2.5 W
RS232 remote setup (optional)	Yes

Mechanical

Dimensions (Ø x H)	112 x 97.5 mm
--------------------	---------------

■ Details for ordering

Type	Part number	Designation	Weight
CFVS1327-LP	S54561-C108-A100	1/3-inch CCD Varifocal Dome, High Resolution Day/Night 12 V DC/24 V AC, 2.5 W	0.3kg

The information in this document contains general descriptions of technical options available, which do not always have to be present in individual cases. The required features should therefore be specified in each individual case at the time of closing the contract.

© Siemens AB • Document no. C-300083 • Edition: 09.2013 •