



# CFMW3025

## 3 MP Full HD IP Wide Dynamic Indoor Fixed Dome Camera H.264, MJPEG

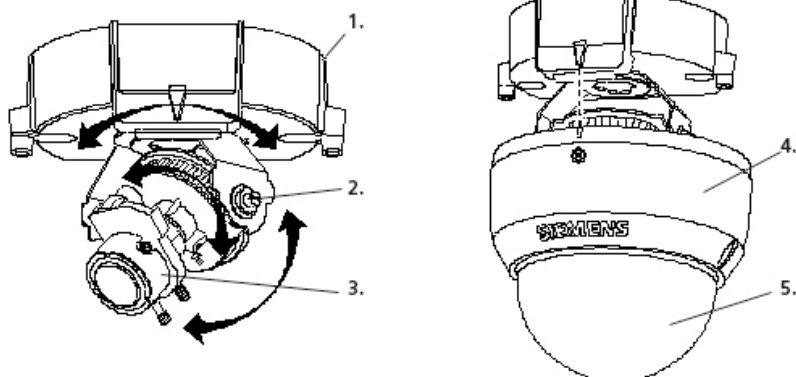


CFMW3025

This 3 MP full HD IP fixed dome camera combines the requirements of classic analogue CCTV cameras with the high performance, flexibility and IT security of a modern video-over-IP device. Thanks to hybrid technology, this camera allows the upgrade of existing video installations to state-of-the-art IP systems.

The indoor fixed dome camera CFMW3025 benefits from a motorised varifocal lens that can be easily setup via web browser, and simplifies the commissioning and setup of back-focus. Thanks to the H.264 and MJPEG triple streaming functionality and the state-of-the-art ONVIF compatibility, this camera can be easily integrated into 3<sup>rd</sup>-party systems. The compact design and the available range of accessories is an ideal fit even for stylish environments.

- Simultaneous H.264 and MJPEG encoding
- Up to 3 MP resolution supporting full HD 1080p
- Hybrid video: CVBS: up to 480 TVL (PAL / NTSC switchable)
- Bidirectional monaural audio
- ONVIF protocol support (Streaming Profile S compliant)
- D/N with mechanical IR-cut filter
- Digital WDR functionality 57 dB
- Excellent low-light sensitivity
- Integrated motorised varifocal lens F1.2, 3 – 9 mm
- Setup of zoom and focus via web browser and one-push autofocus
- Basic motion detection and tamper alarm
- Support SDXC up to 128 GB for local alarm recording (4 GB incl.)
- 4 user-definable privacy zones
- 12 V DC / 24 V AC and PoE power supply



#### Legend

- 1 Camera bottom case
- 2 Tilt adjustment bracket and thumbnuts, notches (X2)
- 3 Camera housing
- 4 Locking screw
- 5 Dome cover

#### ■ Details for ordering

| Type     | Part no.         | Designation                     | Weight |
|----------|------------------|---------------------------------|--------|
| CFMW3025 | S54561-C107-A200 | 1/3" IP Fix Dome, 3 MP, D/N, WD | 480 g  |

#### ■ Technical data

| Model                    | CFMW3025   |
|--------------------------|--|
| Image sensor             | 1/3" AR0330 CMOS   |
| Effective pixels         | 2048 (H) x 1536 (V)  |
| Image compression method | H.264 / MJPEG (Triple streaming)   |
| Image frame rate         | 2048 x 1536 @ 12 fps (PAL) and 15 fps (NTSC )<br>1920 x 1080 @ 25 fps (PAL) and 30 fps (NTSC ) |
| Video output             | Max. 100 m<br>CVBS @ 25 fps for PAL<br>CVBS @ 30 fps for NTSC                                  |
| <b>Electrical</b>        |  |
| Sync system              | Internal   |
| S/N ratio                | > 50 db  |
| Lens type                | Motorised varifocal Megapixel IR coated, F1.2, 3 – 9 mm (setup via web browser)                |
| Horizontal viewing angle | Wide: 94° (H), 50° (V)<br>Tele: 33° (H), 19° (V)   |
| Low light technology     | Light booster  |
| IR cut filter            | Yes  |
| Gamma correction         | 0.45   |
| Sensitivity Colour / B&W | Colour: 0.3 lux (F1.2) 50 IRE<br>B/W: 0.1 lux (F1.2) 50 IRE, 1/30, Max. Gain                   |
| White balance            | ON / OFF / Indoor / Outdoor  |
| Electronic shutter       | 1/25 – 1/8192 s for PAL<br>1/30 – 1/8192 s for NTSC  |
| BLC                      | 6 zones  |
| AGC                      | Auto   |
| Audio codec              | G.711(A-Law / u-Law)   |
| Audio feature            | Two-way mono audio; full-duplex, switchable on/off   |
| Alarm                    | Yes; 3x Alarm In & 1x Alarm Out  |
| Intelligent Engine       | Tamper alarm<br>Acoustic detection/alarm   |
| Motion detection         | Yes; 12 x 8 MD windows & 100-level sensitivity & 100-level object size                         |

|                       |   |
|-----------------------|---|
| Privacy zones         | 4   |
| WDR                   | Digital WDR: 57 dB  |
| Image enhancement     | 3 DNR   |
| <b>Power supply</b>   |   |
| Power requirement     | DC 12 V / AC 24 V / PoE   |
| Power consumption     | 5.5 W   |
| Power connector       | Terminal block  |
| <b>Environment</b>    |   |
| Operating temperature | -10 to +50°C  |
| Relative humidity     | 0 – 80% RH  |
| Storage temperature   | -20 to +60°C  |
| <b>Network</b>        |   |
| Web browser           | IE 6.0 above/ Firefox, Safari with VLC plug-in<br>Internet Explorer IE8 / IE9 / IE10, Firefox, Google chrome with VLC plug-in               |
| Security              | Firewall / forbidden protocol / 802.1x  |
| Ethernet              | 1 x 10/100 base-T Ethernet connection for LAN   |
| Network protocols     | TCP/IP, UDP, HTTP, SMTP, SNMP, DNS, DHCP, NTP, ARP, ICMP, FTP, DDNS, RTSP, RTP, RTCP, IGMP, UPnP, IPv4, IPv6, CIFS, NFS, IEC802.1x, Bonjour |
| <b>I/O connector</b>  |   |
| Power In              | 2-pin screw type terminal block   |
| Network port          | RJ45 with LEDs  |
| Audio IN/OUT          | Spring-type terminal block  |
| Alarm I/O             | Spring-type terminal block  |
| Video port            | 2-pin video connector   |
| <b>Mechanical</b>     |   |
| Dimensions (Ø x H)    | 126 x 115 mm  |
| Weight                | 480 g   |

The information in this document contains general descriptions of technical options available, which do not always have to be present in individual cases. The required features should therefore be specified in each individual case at the time of closing the contract.

© Siemens AB • Document no. C-300065 • Edition: 13.08.2013

[www.siemens.com/securityproducts](http://www.siemens.com/securityproducts)

Siemens AB  
Infrastructure & Cities  
Security Products  
International Headquarters  
Englundavägen 7  
SE-171 24 Solna  
Tel. +46 8 629 0300  
[www.siemens.com/securityproducts](http://www.siemens.com/securityproducts)