

CFMW3025

3 MP Full HD IP Wide Dynamic Indoor Fixed Dome Camera H.264, MJPEG

VANDERBILT



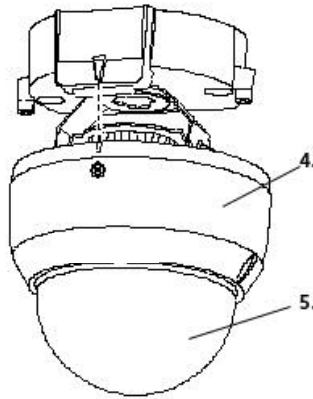
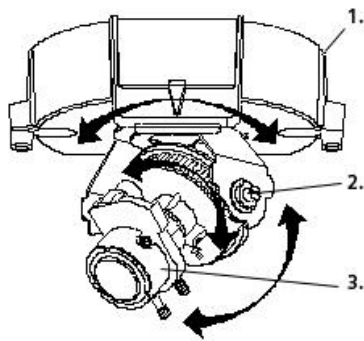
This 3 MP full HD IP fixed dome camera combines the requirements of classic analogue CCTV cameras with the high performance, flexibility and IT security of a modern video-over-IP device. Thanks to hybrid technology, this camera allows the upgrade of existing video installations to state-of-the-art IP systems.

The indoor fixed dome camera CFMW3025 benefits from a motorised varifocal lens that can be easily setup via web browser, and simplifies the commissioning and setup of back-focus.

Thanks to the H.264 and MJPEG triple streaming functionality and the state-of-the-art ONVIF compatibility, this camera can be easily integrated into 3rd-party systems. The compact design and the available range of accessories is an ideal fit even for stylish environments.

Key features include:

- Simultaneous H.264 and MJPEG encoding
- Up to 3 MP resolution supporting full HD 1080p
- Hybrid video: CVBS: up to 480 TVL (PAL / NTSC switchable)
- Bidirectional monaural audio
- ONVIF protocol support (Streaming Profile S compliant)
- D/N with mechanical IR-cut filter
- Digital WDR functionality 57 dB
- Excellent low-light sensitivity
- Integrated motorised varifocal lens F1.2, 3 – 9 mm
- Setup of zoom and focus via web browser and one-push autofocus
- Basic motion detection and tamper alarm
- Support SDXC up to 128 GB for local alarm recording (4 GB incl.)
- 4 user-definable privacy zones
- 12 V DC / 24 V AC and PoE power supply



Legend

- 1 Camera bottom case
- 2 Tilt adjustment bracket and thumbnuts, notches (X2)
- 3 Locking screw
- 4 Camera housing
- 5 Dome cover

Technical data

Model	CFMW3025
Image sensor	1/3" AR0330 CMOS
Effective pixels	2048 (H) x 1536 (V)
Image compression method	H.264 / MJPEG (Triple streaming)
Image frame rate	2048 x 1536 @ 12 fps (PAL) and 15 fps (NTSC) 1920 x 1080 @ 25 fps (PAL) and 30 fps (NTSC)
Video output	Max. 100 m CVBS @ 25 fps for PAL CVBS @ 30 fps for NTSC
Electrical	
Sync system	Internal
S/N ratio	> 50 db
Lens type	Motorised varifocal Megapixel IR coated, F1.2, 3 – 9 mm (setup via web browser)
Horizontal viewing angle	Wide: 94° (H), 50° (V) Tele: 33° (H), 19° (V)
Low light technology	Light booster
IR cut filter	Yes
Gamma correction	0.45
Sensitivity Colour / B&W	Colour: 0.3 lux (F1.2) 50 IRE B/W: 0.1 lux (F1.2) 50 IRE, 1/30, Max. Gain

White balance	ON / OFF / Indoor / Outdoor
Electronic shutter	1/25 – 1/8192 s for PAL 1/30 – 1/8192 s for NTSC
BLC	6 zones
AGC	Auto
Audio codec	G.711(A-Law / u-Law)
Audio feature	Two-way mono audio; full-duplex, switchable on/off
Alarm	Yes; 3x Alarm In & 1x Alarm Out
Intelligent Engine	Tamper alarm Acoustic detection/alarm
Motion detection	Yes; 12 x 8 MD windows & 100-level sensitivity & 100-level object size
Privacy zones	4
WDR	Digital WDR: 57 dB
Image enhancement	3 DNR
Power supply	
Power requirement	DC 12 V / AC 24 V / PoE
Power consumption	5.5 W
Power connector	Terminal block
Environment	
Operating temperature	-10 to +50°C
Relative humidity	0 – 80% RH
Storage temperature	-20 to +60°C
Network	
Web browser	IE 6.0 above/ Firefox, Safari with VLC plug-in Internet Explorer IE8 / IE9 / IE10, Firefox, Google chrome with VLC plug-in
Security	Firewall / forbidden protocol / 802.1x
Ethernet	1 x 10/100 base-T Ethernet connection for LAN
Network protocols	TCP/IP, UDP, HTTP, SMTP, SNMP, DNS, DHCP, NTP, ARP, ICMP, FTP, DDNS, RTSP, RTP, RTCP, IGMP, UPnP, IPv4, IPv6, CIFS, NFS, IEC802.1x, Bonjour
I/O connector	

Power In	2-pin screw type terminal block
Network port	RJ45 with LEDs
Audio IN/OUT	Spring-type terminal block
Alarm I/O	Spring-type terminal block
Video port	2-pin video connector
Mechanical	
Dimensions (Ø x H)	126 x 115 mm
Weight	480 g

Details for ordering

Type	Part no.	Designation	Weight*
CFMW3025	V54561-C107-A200	1/3" IP Fix Dome, 3 MP, D/N, WD	480 g

