

CFMW2035

2MP High Performance IP Fixed Dome camera H.264, MJPEG

VANDERBILT



H.264 & MJPEG dual encoding functionality allows the use of the Vanderbilt 2MP High Performance IP Fixed Dome cameras in almost any networking application. The camera offers superior performance under extreme lighting conditions with its additional BLC and enhanced true WDR functionality. Additionally 4 analytic disciplines are included for added functionality and detection purposes. A mechanically removable IR-cut filter allows the day/night camera to provide excellent colour picture quality in day mode and IR- sensitive crisp, clear monochrome images at night.

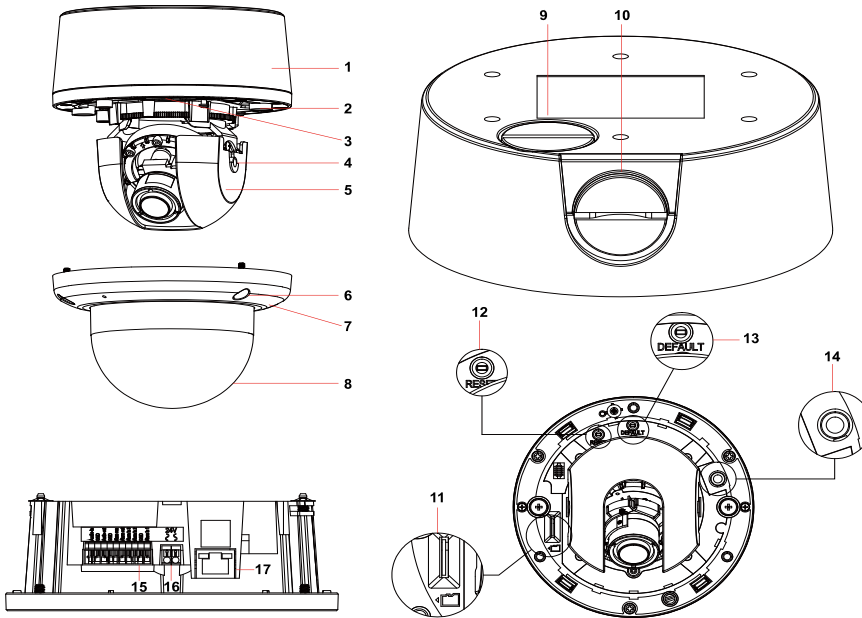
Key Features include:

- H.264 & MJPEG dual encoding
- Frame Rate :
 - 1080P(1920x1080) @60/50 fps for single streaming
 - 1080P(1920x1080) @30/25 fps for multiple streaming
- Bidirectional audio input/output
- ONVIF streaming profile S support
- Wide Dynamic range functionality (105 dB)
- Exceptional low-light sensitivity: 0.01 lux @ B/W
- Basic motion detection
- Enhanced VCA indoor analytic (uncrowded areas)
- Support of up to 3 different sizes of video cropping area
- Micro SDHC card for local storage (Max 64GB)
- 4 user-definable privacy zones
- Alarm and Audio input/output
- Smart housing design supports ceiling and flush mount applications.
- Anti scratch coated bubble / hemisphere.
- Motorized IR coated vari-vocal lense 3,3 -10 with one push autofocus

CFMW2035

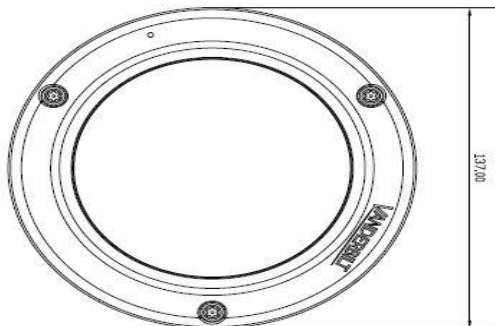
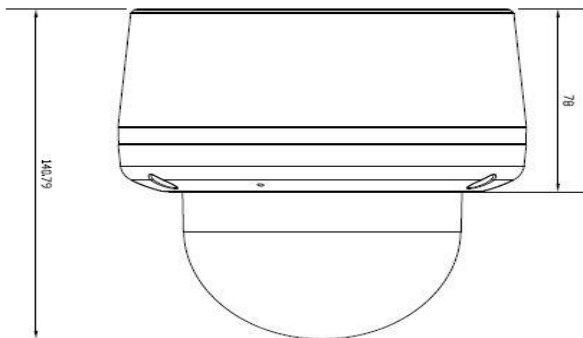
2MP High Performance IP Fixed Dome camera H.264, MJPEG

VANDERBILT



Legend/Dimensions

- 1 Camera bottom case
- 2 Camera lens base
- 3 The screws of camera lens base (x3)
- 4 Tilt adjustment bracket
- 5 Inner liner
- 6 The screws of camera housing (x3)
- 7 Camera housing
- 8 Dome cover
- 9 Bottom conduit hole
- 10 Side conduit hole
- 11 Micro SD card slot
- 12 Reset button
- 13 Default button
- 14 Monitor out port
- 15 I/O connectors
- 16 AC 24V terminal
- 17 RJ-45 Ethernet connector



VANDERBILT

CFMW2035

2MP High Performance IP Fixed Dome camera H.264, MJPEG

VANDERBILT

■ Technical Data

Model	CFMW2035
Signal system	NTSC/PAL
Optical System	
Lens mount	Φ14 Straight mount
Auto iris control	DC Iris
Focal Length	motorized 3.3~10mm
Aperture	F1.3
Angle of View	16:9 Wide 180° (Horizontal) 59° (Vertical) Tele 35° (Horizontal) 20° (Vertical)
Day / Night	Mechanical ICR
Image System	
Image Sensor	1/2.8" IMX140LAJ CMOS

VANDERBILT

CFMW2035

2MP High Performance IP Fixed Dome camera H.264, MJPEG

VANDERBILT

Electrical	
Digital noise reduction	3D
Gamma correction	0.45/1
Minimum Illumination	Colour: <0.02 lux (F1.3) 50 IRE, 1/25, AGC OFF, Max. Gain BW: <0.01 lux (F1.3) 50 IRE, 1/25, AGC OFF, Max. Gain
Gain control	Off/ On, selectable
White balance	ATW(2800K~8500K)/Manual
S/N Ratio	50dB (AGC off)
Video streaming	Triple streaming
Frame Rate	1080P(1920x1080) @60/50 fps for single streaming; 1080P(1920x1080) @30/25 fps for multiple streaming;
Resolution	1080P(1920x1080), 720P(1280x720), D1(720x576/720x480) VGA(640x480), CIF(352x288/352x240), QVGA(320x240)
Network protocols	TCP/IP ,UDP, HTTP, HTTPS, SMTP,SNMPv3, DNS, DHCP, NTP, ARP, ICMP, FTPc, FTPs, DDNS, RTP, (RTCP,RTSP) IGMPv3, UPnP, CIFS, NFS, IEEE802.1x
Slow shutter	Yes
WDR	True WDR (105 dB)
Back light compensation	Off/On (6 Area selectable)
Audio format	G.711-Alaw / G.711-Ulaw
Privacy zone	Yes
Tamper Detection	Yes
Basic Motion Detection	Yes
VCA functions	Object Counting, Loitering, Take Away, Abandoned Objects (indoor usage, uncrowded area)
OSD function	Yes (Text, Date, Time)
Security Access	Three user access levels with password protection
Users	5 users accounts
ONVIF	ONVIF streaming profile S
Web browsing requirements	IE10 / IE11, (SAFARI, Firefox, and Google chrome, only streaming)

VANDERBILT

CFMW2035

2MP High Performance IP Fixed Dome camera H.264, MJPEG

VANDERBILT

Mechanical / Environmental	
Dimensions	H=140.8mm Ø=137mm
Weight	590g
Colour	Cool Gray 2C
IP rating	IP44
Operating humidity	90%, non-condensing
Storage temperature	-20°C to +60°C
Storage humidity	90%, non-condensing
Connectors	Video Out Reset / Default Network: RJ45 connector Power Input: Spring-Terminal block Audio In/out: removable terminal block Alarm In/out: removable terminal block
Operating temperature	-10°C to +50°C
Operating humidity	90%, non-condensing
Storage temperature	-20°C to +60°C
Storage humidity	90%, non-condensing
Power Supply	
Power requirements	AC24V/PoE+
Power consumption	8.5W (Max.)

Details for ordering:

Type	Part no.	Designation	Weight
CFMW2035	V54561-C126-A100	2MP IP Fixed Dome, Varifocal	0.59 kg

VANDERBILT

CFMW2035

2MP High Performance IP Fixed Dome camera H.264, MJPEG

VANDERBILT

Issued by
Vanderbilt
Clonshaugh Business and
Technology Park
Clonshaugh
Dublin 17
Ireland
www.vanderbiltindustries.com

© Vanderbilt 2015
Data and design subject to change without notice.
Supply subject to availability.
Document version *no.*: 1.0/C-30057
Edition: *day.month.year* 28.07.2015

VANDERBILT