



CCWS1355

Super High Resolution Analogue Box Camera, 960H Technology



CCWS1355-LP
CCWS1355-MP

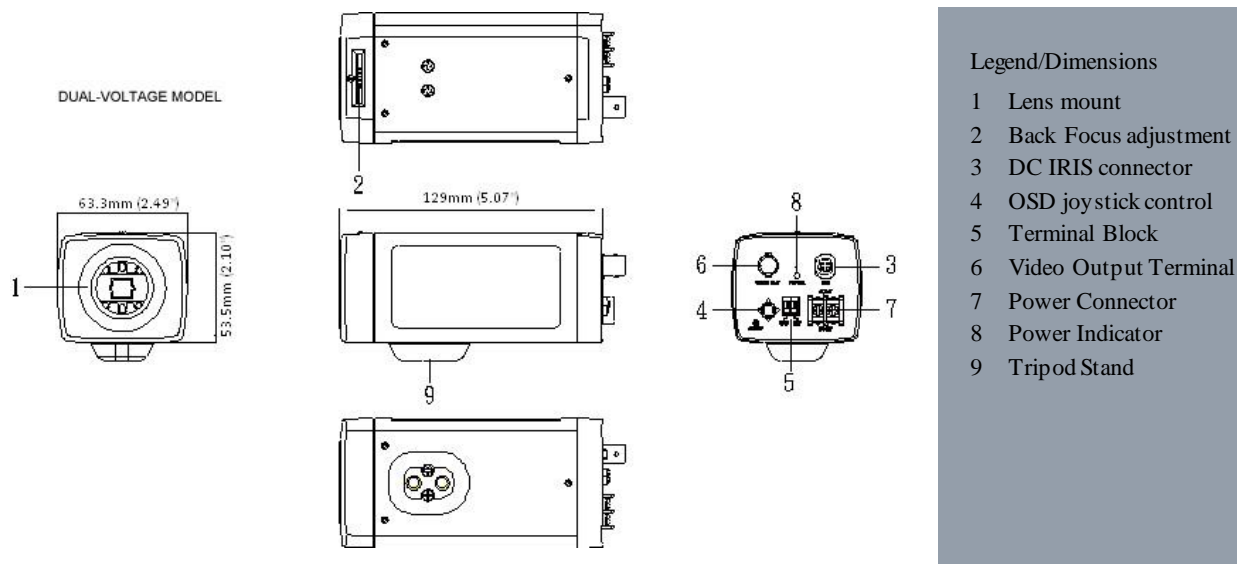
The CCWS1355 is a box camera that comes with a horizontal resolution up to 700 TVL, 1/3" SONY CCD sensor and is capable of achieving superior image detail and exceptional video quality.

The CCWS1355 features true day/night function that switches automatically between colour or B/W mode on ambient illumination to maintain crystal clear images around the clock. The OSD set up function allows comfortable set up of camera parameters and support 8 different languages.

The camera features digital wide-dynamic ATR that provides best picture quality even under worst ambient light conditions.

With other advanced features such as 2DNR, ATR, HLC, Safety-Cord Screw, and Power Alternative, the CCWS1355 series is specifically designed for security applications both indoors and outdoors with a weatherproof housing.

- SONY ICX 673AKA 1/3" Exview HAD CCD II sensor
- Max.700 TVL horizontal resolution image quality
- Low ambience light with outstanding performance
- 2DNR, ICR D/N, ATR, BLC
- 4 areas motion detection & 8 privacy zones
- Multi language OSD
- DC12V / AC24V $\pm 10\%$, AC90V~260V $\pm 10\%$
- Safety-Cord Screw



■ Technical data

Model	CCWS1355-LP / CCWS1355-MP
Type	1/3" D/N WD 700TVL Camera
Image Sensor	SONY ICX 673AKA 1/3" Exview HAD CCD II (960H)
Effective pixels	976 (H) × 582 (V), Total pixels: 1020 (H) × 596 (V)
Optical System	
DN Mechanism	ICR DN
Electrical	
TV System	2:1 Interlace, PAL
Horizontal Resolution	Max. 700 TV lines, typ. 650 TV lines
S/N Ratio	48dB(default) >52dB by parameter adjustment
Minimum Illumination	F1.2@50IRE, Day 0.1lux / Night 0.08lux
Gain Control (AGC)	On/off (selectable)
Synchronization System	Internal
Electric Shutter	1/50~1/10K sec
White Balance	ATW/ Manual/ User/ Push/ Push lock
Gamma Compensation	0.45
Backlight Compensation(BLC)	Off/ BLC/ HLC(High Light compensation) (selectable)
DNR	2D
Motion Detection	Yes, 4 areas (max)
Privacy Zone	Yes, 8 zones (max)
OSD	Yes
ATR(Similar with WDR)	On / Off (selectable)
Model	CCWS1355-LP / CCWS1355-MP
Multi Language	8 languages: English, German, French, Spanish, Portuguese, Russian, Japanese, Simplified Chinese
Video Output Signal	
Video Output	CVBS (1Vp-p, 75ohm, BNC)
Power Supply	
Input Voltage	CCWS1355-LP: DC 12V & AC 24V ± 10% CCWS1355-MP: AC90V~260V ± 10%

Power Consumption	CCWS1355-LP: 4W Max, CCWS1355-MP: 5W Max
Environment	
Operating Temperature	-10°C ~ 50°C
Storage Temperature	-20°C ~ 60°C
Relative Operating Humidity	90% Max
Relative Storage Humidity	70% Max
Safety Regulation	
CE	Yes
Mechanical	
Case Material	Metal
Dimension	63mm(W) x 53mm(H) x 129(D)mm
Weight	325g / 510g

■ **Details for ordering**

Type	Part no.	Designation	Weight
CCWS1355-LP	S54561-C113-A100	1/3" D/N WD 700TVL Camera	325g
CCWS1355-MP	S54561-C114-A100	1/3" D/N WD 700TVL Camera	510g

Further products and accessories can be found in the Internet: <https://is.spiap.com/products/video.html>.

The information in this document contains general descriptions of technical options available, which do not always have to be present in individual cases. The required features should therefore be specified in each individual case at the time of closing the contract.

© Siemens AB • Document no. C-3000154 • Edition: 01.2014