



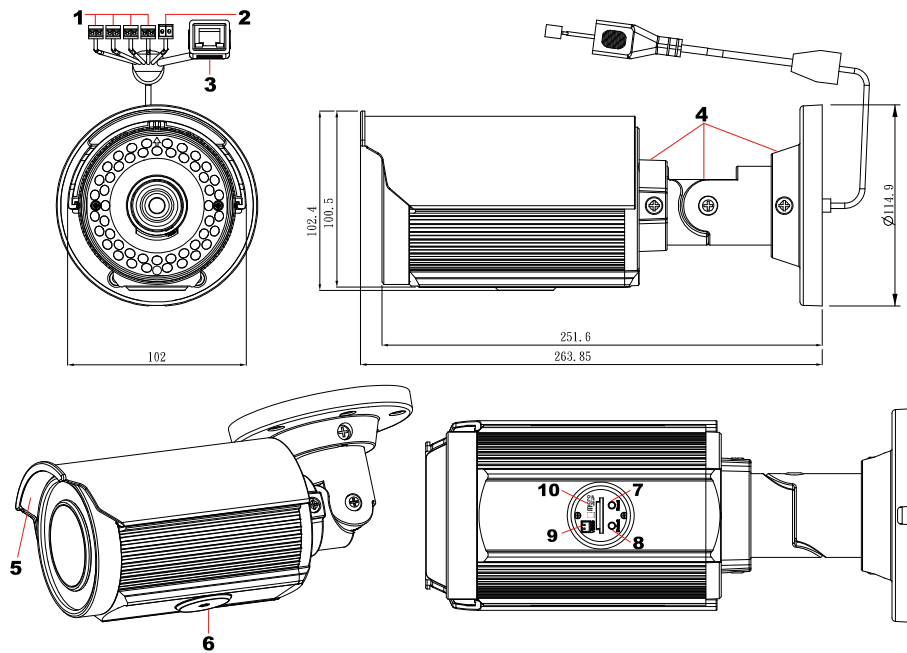
CCPW3025-IR CCPW5025-IR

**3MP/5MP Motorized Varifocal Day/Night IP Bullet Camera
with integrated IR-Illumination, H.264, MJPEG**



The new Siemens IP Bullet cameras incorporate many advanced features to match security requirements of today by, with H.264 & MJPEG dual encoding functionality allows the use of the Siemens 3MP/5MP Varifocal Day/Night IR Bullet cameras in almost every networking application. The additional BLC with enhanced WDR functions gives better performance of cameras under extreme bright or dark ambient light conditions. A mechanically removable IR-cut filter allows the day/night cameras to provide excellent color picture quality in day mode and the mechanically movable IR-Cut filter enables IR-sensitive, crisp, clear monochrome images at night. Also included is the mounting bracket with 3 adjustable axes enabling the cameras to be installed in a large number of different mounting options. The motorized integrated lens allows comfortable setup of zoom ratio and focus via Web-Browser.

- H.264 & MJPEG dual encoding
- Frame rate:
CCPW5025: QSXGA @ max. 12fps, 1080P/720P/480P/VGA/CIF/QVGA @ max. 25/30(PAL/NTSC) fps
CCPW3025: QSXGA @ max. 12fps, 1080P/720P/480P/VGA/CIF/QVGA @ max. 25/30(PAL/NTSC) fps
- Bidirectional audio input/output
- ONVIF protocol support (Streaming Profile S compliant)
- User-friendly adjustable 3 axes mounting bracket
- Electronic Wide Dynamic function (72.4dB)
- Exceptional low-light sensitivity: 0.01 lux @ B/W, slow speed shutter (IR-sensitive)
- Integrated motorised varifocal lens 3~9mm
- Basic motion detection
- Video cropping area supported
- Micro SDHC/SDXC card (up to 64GB) for local alarm recording (4GB incl.)
- 4 user definable privacy zones
- Alarm input/output and Audio input/output functions
- 2 optional power supply: AC24V/PoE



Legend

1. I/O Connectors
2. Power Connector for AC 24V
3. RJ-45 Ethernet Connector/ PoE
4. Mounting Bracket with 3 axes
5. Sun Shield Hood
6. Cap
7. Reset button
8. Default button
9. Video Output Connector
10. Micro SDHC/SDXC Card Slot

Technical data

Model	CCPW3025-IR	CCPW5025-IR
Signal system	NTSC/PAL	
Optical System		
Auto iris control	DC Iris	
Focal Length	Varifocal 3~9mm, motorized	
F No	f/1.2(wide) – f/2.1(tele)	
Angle of view	Wide: H 78° x V 56° ; Tele: H 28° x V 20°	
Day / Night	Mechanical ICR	
Image System		
Image sensor	1/3" AR0330	1/3.2" OV5653
Sensor Type	CMOS	
Electrical		
Digital noise reduction	3D	
Gamma correction	1.0	
Minimum illumination	1/25 sec. B/W: 0 lux (F1.2) 50 IRE Color: 0.07 lux (F1.2) 50 IRE	1/25 sec. B/W: 0 lux (F1.2) 50 IRE color: 0.16 lux (F1.2) 50 IRE
S/N ratio	50dB (AGC off)	
Manual Gain control	0, 6, 12, 18, 24, 36	
White balance	ON/OFF/Indoor/Outdoor	

Model	CCPW3025-IR	CCPW5025-IR
Electric shutter	1/25~ 1/8192 sec	
Audio In/Out	Audio In/Out	
Video Output	Service monitor output	
Alarm In/Out	Alarm In*1/Alarm Out*1	
On-board storage	Micro SDHC/SDXC card (up to 16GB) for local alarm recording (4GB incl.)	
IR		
IR distance	~ 25M (depending on the scene)	
IR LED	48 pcs	
IR wavelength	850nm	
Network Specifications		
Video compress	H.264/ MJPEG	
Video streaming	Triple streaming	
Frame Rate	1080P(1920x1080) @25/30 (PAL/NTSC) fps; 3M(2048x1536) @ 12/15(PAL/NTSC) fps	1080P(1920x1080) @25/30 (PAL/NTSC) fps; 5M(2592x1944) @ 12 fps
Resolution	3M(2048x1536),1080P(1920x1080), 720P(1280x720), D1(720x480 NTSC)/(720x576 PAL), VGA(640x480), CIF(352x240 NTSC)/(352x288 PAL), QVGA(320x240)	5M(2592x1944),1080P(1920x1080),720P(1280x 720), D1(720x480 NTSC)/(720x576 PAL), VGA(640x480),CIF(352x240 NTSC)/(352x288 PAL), QVGA(320x240)
Network protocols	IPv4, HTTP,HTTPS, TCP, RTSP/RTCP/RTP, ICMP, UDP, IGMP, DNS, DHCP, ARP, NTP, SNMP	
Slow shutter	Yes	
WDR	Digital WDR	
Back light compensation	Off/On (6 Area selectable)	
Audio format	G.711-Alaw / G.711-Ulaw	
Privacy zone	Yes (4x)	
Motion Detection	Yes, basic motion	
Security Access	Multiple user access levels with password protection	
ONVIF	ONVIF protocol support (Streaming Profile S compliant)	
Web browsing requirements	IE8 / IE9 / IE10, SAFARI*, Mozilla-based browsers*, Firefox*, Google chrome*, VLC* and Quick Time* (*Limitation).	
Mechanical / Environmental		
Dimensions (Ø x H)	115mm x264mm	

Model	CCPW3025-IR	CCPW5025-IR
Weight	1600g	
IP rating	IP66	
Connectors	Network : RJ-45 connector Power Input : removable terminal block Audio in/out : terminal block Alarm In/out : terminal block	
Operating temperature	-40°C to +50°C	
Operating humidity	90%, non-condensing	
Storage temperature	-40°C to +60°C	
Storage humidity	90%, non-condensing	
Power Supply		
Power requirements	PoE IEEE 802.3af Class 0, AC24V	
Power consumption	11W (Max.)	11.5W (Max.)

■ Details for ordering

Type	Part no.	Designation	Weight
CCPW3025-IR	S54561-C117-A100	CCPW3025,IP,Bul,1/3,D/N,IR	1.6 kg
CCPW5025-IR	S54561-C118-A100	CCPW5025,IP,Bul,1/3,D/N,IR	1.6 kg

The information in this document contains general descriptions of technical options available, which do not always have to be present in individual cases. The required features should therefore be specified in each individual case at the time of closing the contract.

© Siemens AB • Document no. C-300327 • Edition: 10.2014