

CCPW3025/5025-IR

3MP/5MP Motorized Varifocal Day/Night IP Bullet Camera with integrated IR-Illumination, H.264, MJPEG

VANDERBILT

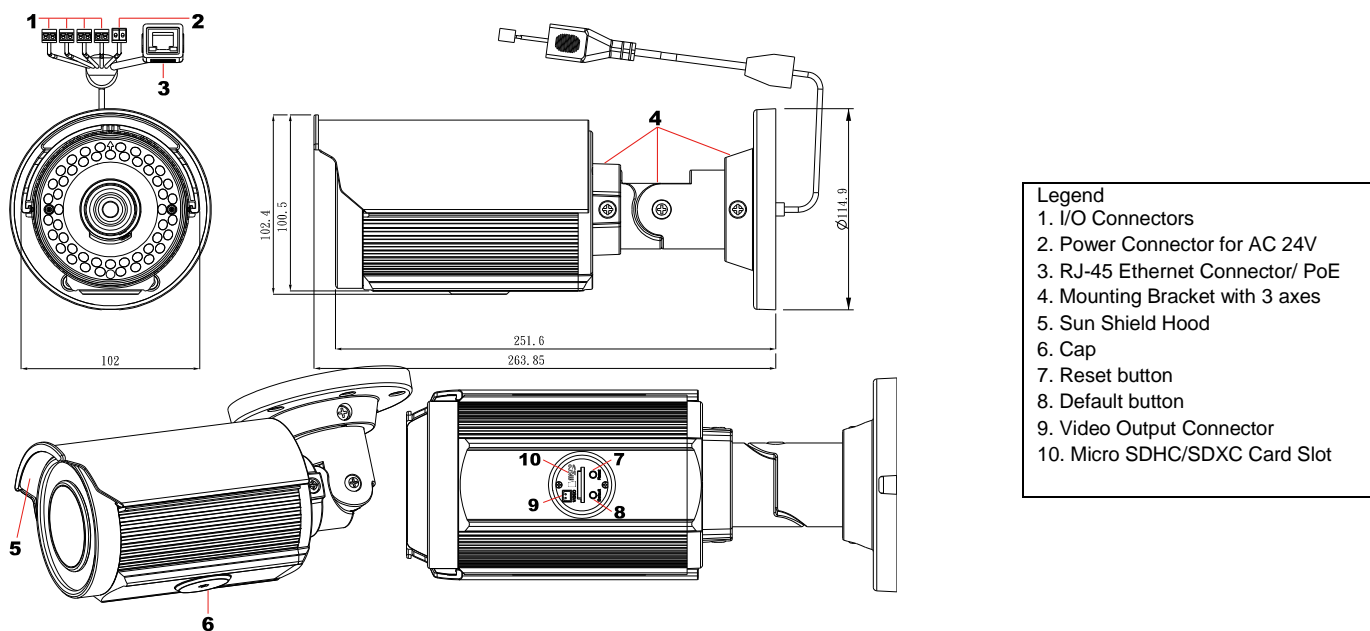


The new Vanderbilt IP Bullet cameras incorporates many advanced features to match security requirements of today by, with H.264 & MJPEG dual encoding functionality allows the use of the Vanderbilt 3MP/5MP Varifocal Day/Night IR Bullet cameras in almost every networking application. The additional BLC with enhanced WDR functions gives better performance of cameras under extreme bright or dark ambient light conditions.

A mechanically removable IR-cut filter allows the day/night cameras to provide excellent color picture quality in day mode and the mechanically movable IR-Cut filter enables IR-sensitive, crisp, clear monochrome images at night. Also included is the mounting bracket with 3 adjustable axes enabling the cameras to be installed in a large number of different mounting options. The motorized integrated lens allows comfortable setup of zoom ratio and focus via Web-Browser.

Key features include:

- H.264 & MJPEG dual encoding
- Frame rate:
CCPW5025: QSXGA @ max. 12fps, 1080P/720P/480P/VGA/CIF/QVGA @ max. 25/30(PAL/NTSC) fps
CCPW3025: QSXGA @ max. 12fps, 1080P/720P/480P/VGA/CIF/QVGA @ max. 25/30(PAL/NTSC) fps
- Bidirectional audio input/output
- ONVIF protocol support (Streaming Profile S compliant)
- User-friendly adjustable 3 axes mounting bracket
- Electronic Wide Dynamic function (72.4dB)
- Exceptional low-light sensitivity: 0.01 lux @ B/W, slow speed shutter (IR-sensitive)
- Integrated motorised varifocal lens 3~9mm
- Basic motion detection
- Video cropping area supported
- Micro SDHC/SDXC card (up to 64GB) for local alarm recording (4GB incl.)
- 4 user definable privacy zones
- Alarm input/output and Audio input/output functions
- 2 optional power supply: AC24V/PoE



- Legend**
1. I/O Connectors
 2. Power Connector for AC 24V
 3. RJ-45 Ethernet Connector/ PoE
 4. Mounting Bracket with 3 axes
 5. Sun Shield Hood
 6. Cap
 7. Reset button
 8. Default button
 9. Video Output Connector
 10. Micro SDHC/SDXC Card Slot

Model	CCPW3025-IR	CCPW5025-IR
Signal system	NTSC/PAL	
Optical System		
Auto iris control	DC Iris	
Focal Length	Varifocal 3~9mm, motorized	
F No	f/1.2(wide) – f/2.1(tele)	
Angle of view	Wide: H 78° x V 56°; Tele: H 28° x V 20°	
Day / Night	Mechanical ICR	
Image System		
Image sensor	1/3" AR0330	1/3.2" OV5653
Sensor Type	CMOS	
Electrical		
Digital noise reduction	3D	
Gamma correction	1.0	
Minimum illumination	1/25 sec. B/W: 0 lux (F1.2) 50 IRE Color: 0.07 lux (F1.2) 50 IRE	1/25 sec. B/W: 0 lux (F1.2) 50 IRE color: 0.16 lux (F1.2) 50 IRE
S/N ratio	50dB (AGC off)	
Manual Gain control	0, 6, 12, 18, 24, 36	
White balance	ON/OFF/Indoor/Outdoor	
Electric shutter	1/25~ 1/8192 sec	
Audio In/Out	Audio In/Out	
Video Output	Service monitor output	
Alarm In/Out	Alarm In*1/Alarm Out*1	

On-board storage	Micro SDHC/SDXC card (up to 16GB) for local alarm recording (4GB incl.)	
IR		
IR distance	~ 25M (depending on the scene)	
IR LED	48 pcs	
IR wavelength	850nm	
Network Specifications		
Video compress	H.264/ MJPEG	
Video streaming	Triple streaming	
Frame Rate	1080P(1920x1080) @25/30 (PAL/NTSC) fps; 3M(2048x1536) @ 12/15(PAL/NTSC) fps	1080P(1920x1080) @25/30 (PAL/NTSC) fps; 5M(2592x1944) @ 12 fps
Resolution	3M(2048x1536),1080P(1920x1080), 720P(1280x720), D1(720x480 NTSC)/(720x576 PAL), VGA(640x480), CIF(352x240 NTSC)/(352x288 PAL), QVGA(320x240)	5M(2592x1944),1080P(1920x1080),720P(1280x 720), D1(720x480 NTSC)/(720x576 PAL), VGA(640x480),CIF(352x240 NTSC)/(352x288 PAL), QVGA(320x240)
Network protocols	IPv4, HTTP,HTTPS, TCP, RTSP/RTCP/RTP, ICMP, UDP, IGMP, DNS, DHCP, ARP, NTP, SNMP	
Slow shutter	Yes	
WDR	Digital WDR	
Back compensation	light	Off/On (6 Area selectable)
Audio format	G.711-Alaw / G.711-Ulaw	
Privacy zone	Yes (4x)	
Motion Detection	Yes, basic motion	
Security Access	Multiple user access levels with password protection	
ONVIF	ONVIF protocol support (Streaming Profile S compliant)	
Web browsing requirements	IE8 / IE9 / IE10, SAFARI*, Mozilla-based browsers*, Firefox*, Google chrome*, VLC* and Quick Time* (*Limitation).	
Mechanical / Environmental		
Dimensions (Ø x H)	115mm x264mm	
Weight	1600g	
IP rating	IP66	
Connectors	Network : RJ-45 connector Power Input : removable terminal block Audio in/out : terminal block Alarm In/out : terminal block	
Operating temperature	-40°C to +50°C	
Operating humidity	90%, non-condensing	
Storage temperature	-40°C to +60°C	
Storage humidity	90%, non-condensing	
Power Supply		
Power requirements	PoE IEEE 802.3af Class 0, AC24V	
Power consumption	11W (Max.)	11.5W (Max.)

Details for ordering

Type	Part no.	Designation	Weight*
CCPW3025-IR	V54561-C117-A100	CCPW3025,IP,Bul,1/3,D/N,IR	1.6 kg
CCPW5025-IR	V54561-C118-A100	CCPW5025,IP,Bul,1/3,D/N,IR	1.6 kg
