

CCMW2035

2MP High Performance IP Box camera H.264, MJPEG

VANDERBILT



H.264 & MJPEG dual encoding functionality allows the use of the Vanderbilt 2MP High Performance IP Box cameras in almost any networking application. The camera offers superior performance under extreme lighting conditions with its additional BLC and enhanced true WDR functionality. Additionally 4 analytic disciplines are included for added functionality and detection purposes. A mechanically removable IR-cut filter allows the day/night camera to provide excellent colour picture quality in day mode and IR- sensitive crisp, clear monochrome images at night.

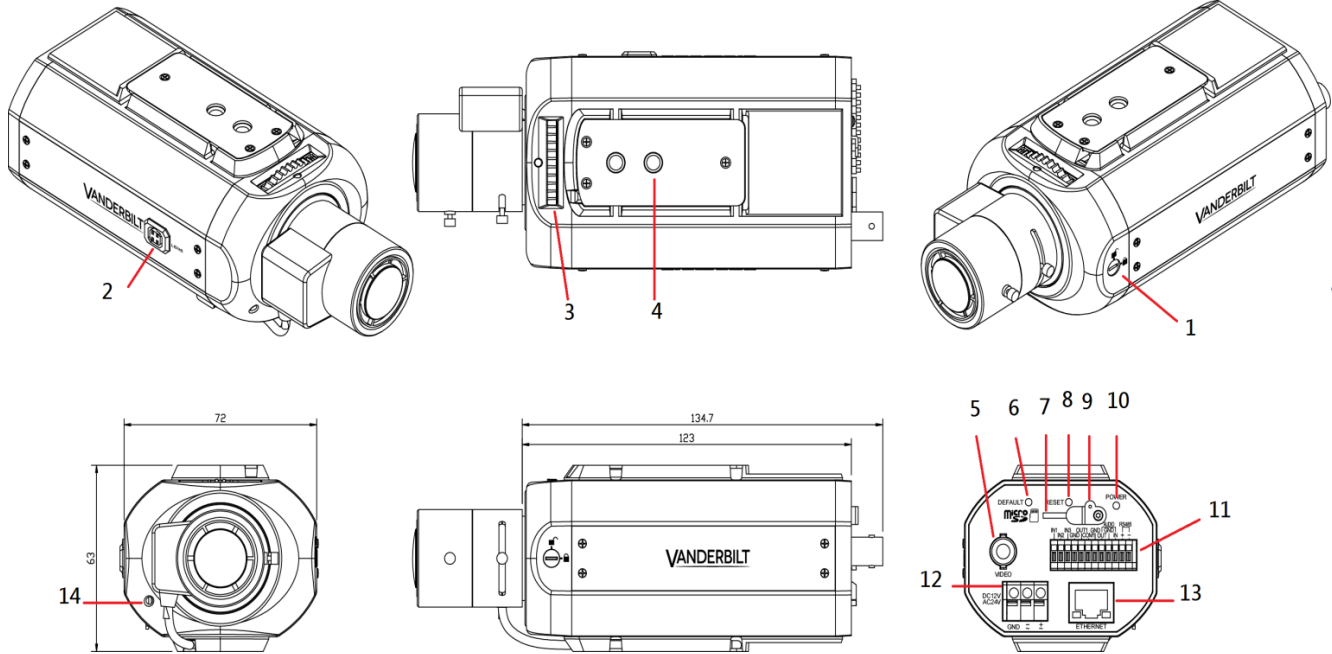
Key Features include:

- H.264 & MJPEG dual encoding
- Frame Rate :
 - 1080P(1920x1080) @60/50 fps for single streaming
 - 1080P(1920x1080) @30/25 fps for multiple streaming
- Bidirectional audio input/output
- ONVIF streaming profile S support
- Wide dynamic range functionality (70dB)
- Exceptional low-light sensitivity: 0.01 lux @ B/W
- Basic motion detection
- Enhanced VCA indoor analytic (uncrowded areas)
- Support of up to 3 different sizes of video cropping area
- Micro SD card for local storage (max 64GB)
- 4 user-definable privacy zones
- Alarm and Audio input/output

CCMW2035

2MP High Performance IP Box camera H.264, MJPEG

VANDERBILT



Legend/Dimensions

- 1 Back-focus lock screw
- 2 IRIS connector
- 3 Back-focus adjust ring
- 4 1/4" inch tripod mount hole
- 5 BNC connector
- 6 SW for default
- 7 SD card slot
- 8 SW for reset
- 9 SD card protector
- 10 Power indicator
- 11 I/O terminal
- 12 DC12V/AC24V power terminal
- 13 RJ45 Ethernet connector
- 14 Microphone

VANDERBILT

CCMW2035

2MP High Performance IP Box camera H.264, MJPEG

VANDERBILT

■ Technical Data

Model	CCMW2035
-------	----------

Signal system	NTSC/PAL
---------------	----------

Optical System

Lens mount	CS mount (lens not included)
------------	------------------------------

Auto iris control	DC Iris
-------------------	---------

Focal Length	N/A
--------------	-----

Aperture	N/A
----------	-----

Angle of View	N/A
---------------	-----

Day / Night	Mechanical ICR
-------------	----------------

Image System

Image Sensor	1/2.8" IMX140LAJ CMOS
--------------	-----------------------

Electrical

Digital noise reduction	3D
-------------------------	----

Gamma correction	0.45/1
------------------	--------

Minimum Illumination	Colour: <0.01 lux (F1.0) 50 IRE, 1/25, AGC OFF, Max. Gain BW: <0.01 lux (F1.0) 50 IRE, 1/25, AGC OFF, Max. Gain
----------------------	--

Gain control	Off/ On, selectable
--------------	---------------------

White balance	ATW(2800K~8500K) /Manual
---------------	--------------------------

S/N Ratio	50dB (AGC off)
-----------	----------------

VANDERBILT

Electric shutter	1/6.25 ~ 1/10000 sec
Audio In/Out	Audio In/Out
Video Output	Monitor out (RCA)
Alarm In/Out	Alarm In*3/Alarm Out*1
On-board storage	Micro SD (SDHC) (Max. 64GB)
Network Specifications	
Video compress	H.264/ MJPEG
Video streaming	Triple streaming
Frame Rate	1080P(1920x1080) @60/50 fps for single streaming; 1080P(1920x1080) @30/25 fps for multiple streaming;
Resolution	1080P(1920x1080), 720P(1280x720), D1(720x576/720x480) VGA(640x480), CIF(352x288/352x240), QVGA(320x240)
Network protocols	TCP/IP ,UDP, HTTP, HTTPs, SMTP,SNMPv3, DNS, DHCP, NTP, ARP, ICMP, FTPc, FTPs, DDNS, RTP, (RTCP,RTSP) IGMPv3, UPnP, CIFS, NFS, IEEE802.1x
Slow shutter	Yes
WDR	True WDR (70dB)
Back light compensation	Off/On (6 Area selectable)
Audio format	G.711-Alaw / G.711-Ulaw
Privacy zone	Yes
Tamper Detection	Yes
Basic Motion Detection	Yes
VCA functions	Object Counting, Loitering, Take Away, Abandoned Objects (indoor usage, uncrowded area)
OSD function	Yes (Text, Date, Time)
Security Access	Three user access levels with password protection
Users	5 users accounts
ONVIF	ONVIF streaming profile S
Web browsing requirements	IE10 / IE11, (SAFARI, Firefox, and Google chrome, only streaming)

CCMW2035

2MP High Performance IP Box camera H.264, MJPEG

VANDERBILT

Mechanical / Environmental	
Dimensions	72 x 63 x 122 mm
Weight	450g
Colour	Close to RAL7016 & RAL9006
IP rating	IP40
Connectors	Video Out Reset / Default Network: RJ45 connector Power Input: removable terminal block Audio In/out: removable terminal block Alarm In/out: removable terminal block
Operating temperature	-10°C to +50°C
Operating humidity	90%, non-condensing
Storage temperature	-20°C to +60°C
Storage humidity	90%, non-condensing
Power Supply	
Power requirements	AC24V / DC12V / PoE
Power consumption	7.5W (Max.)

Details for ordering:

Type	Part no.	Designation	Weight
CCMW2035	V54561-C125-A100	2MP IP Box Camera, DN, WD, 12V	0.4 kg

VANDERBILT

CCMW2035

2MP High Performance IP Box camera H.264, MJPEG

VANDERBILT

Issued by
Vanderbilt
Clonshaugh Business and
Technology Park
Clonshaugh
Dublin 17
Ireland
www.vanderbiltindustries.com

© Vanderbilt 2015
Data and design subject to change without notice.
Supply subject to availability.
Document version/no.: 1.0/C-300551
Edition: 28.07.2015

VANDERBILT