

CCMS3039

CCTV IP 3MP Low Light Camera - DATASHEET

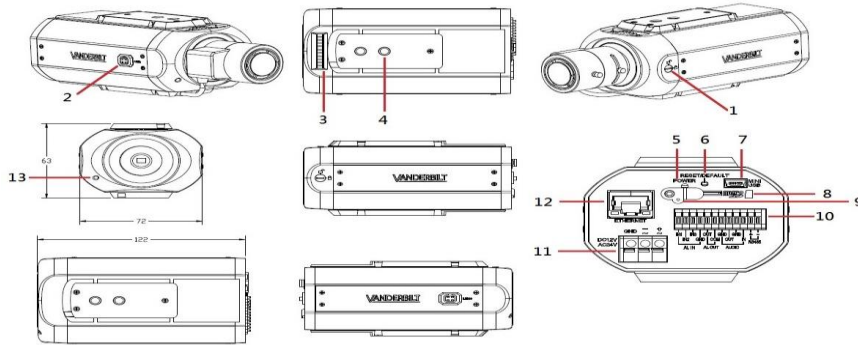
VANDERBILT



The CCMS3039 is the first 3MP Low Light network IP Box camera from Vanderbilt that provides clear images during the day and the night under extreme low-light conditions. The electronic Wide dynamic functionality (74dB) produces good quality video with no under or over exposure, even under difficult ambient light conditions. The removable IR-cut filter allows the day/night camera to provide excellent colour picture quality in day mode and IR sensitive crisp and clear monochrome and colour images at night. High sensitivity in colour (0.01 lux) and monochrome mode (0.005 lux) enables this camera to work with a minimum amount of ambient light. This exceptional light sensitivity ensures crisp, clear and detailed images in all lighting conditions. Additionally 2 integrated analytic disciplines (object counting and loitering) are included for added functionality and detection purposes.

Key features include:

- H.264 & MJPEG dual encoding
- Frame rate:
2048x1536 @ up to 30 fps for single streaming
- Bidirectional audio input/output
- ONVIF streaming profile S support
- Electronic Wide dynamic range functionality (74dB)
- Exceptional low-light sensitivity: 0.005 lux in B/W and 0.01 lux in colour
- Motion detection
- Enhanced VCA indoor analytics (object counting and loitering)
- Support of up to 3 different sizes of video cropping areas
- Micro SD card for local storage (max 64GB)
- 4 user-definable privacy zones
- Alarm and audio input/output



1	Back-focus lock screw	8	SD card slot
2	IRIS connector	9	SD card protector
3	Back-focus adjust ring	10	Digital I/O terminal, RS485 audio input/output
4	1/4" inch tripod mount hole	11	DC12V/AC24V power terminal
5	Power indicator	12	RJ45 Ethernet connector
6	HW for reset and default	13	Microphone
7	Mini USB port		

■ Technical Data

Model	CCMS3039
Signal system	NTSC/PAL
Optical system	
Lens mount	CS mount (lens not included)
Lens options	N/A
Auto iris control	DC Iris
Day / Night	Mechanical ICR
Image system	
Image sensor	1/2.8" IMX124LQT-C
Sensor Type	CMOS
Electrical	
Digital noise reduction	3D
Gamma correction	0.45
Minimum illumination	Color: 0.009 lux (F1.2) 50 IRE, 1/25s, AGC OFF, max. Gain, ICR in Color: 0.005 lux (F1.2) 50 IRE, 1/25s, AGC OFF, max. Gain, ICR out BW: 0.005 lux (F1.2) 50 IRE, 1/25s, AGC OFF, max. Gain
S/N ratio	50dB (AGC off)
Gain control	Off/On, selectable
White balance	ATW(2500L~10000K) /Manual
Electric shutter	1/6.25 ~ 1/10000 sec
Audio In/Out	Audio In/Out
Video Output	1 x mini USB for real-time image preview
Alarm In/Out	Alarm In*3/Alarm Out*1
On-board storage	Micro SD (SDHC) (Max. 64GB)
RS-485	PTZ Telemetry Receiver control (SCU-Protocol)
Network specifications	
Video compress	H.264/ MJPEG
Video streaming	Triple streaming
Frame Rate	2048x1536 @ 25fps (PAL) and 30fps (NTSC) 1920x1080 @ 25fps (PAL) and 30fps (NTSC)
Resolution	3M(2048x1536), 1080P(1920x1080), 960P(1280x960), 720P(1280x720) SVGA(800x600), VGA(640x480), 360P(640x360), QVGA(320x240), 176P(320x176)
Network protocols	TCP/IP ,UDP, HTTP, HTTPs, SMTP,SNMPv3, DNS, DHCP, NTP, ARP, ICMP, FTPc, FTPs, DDNS, RTP (RTCP, RTSP), IGMPv3, UPnP, CIFS, NFS, IEC802.1x
Slow shutter	Yes (1/25s, 1/12.5s, 1/6.25s)
WDR	74dB (Digital WDR on)
Back light compensation	Off / On (6 Area selectable)
Audio format	G.711-Alaw / G.711-Ulaw
Privacy zone	4 Zones

Tamper Detection	Yes
Basic Motion Detection	Yes
VCA functions	Object Counting, Loitering (indoor, uncrowded areas)
OSD function	Yes (Text, Date, Time)
Security Access	Three user access levels with password protection
Users	5 user accounts
ONVIF	ONVIF streaming profile S
Web browsing requirements	IE10 / IE11, (SAFARI, Firefox, and Google chrome, streaming only)
Power Supply	
Power requirements	AC24V / DC12V / PoE
Power consumption	7.5W (Max.)
I/O Connector	
Network port	RJ45 connector with indicator LED's for status
Video Out	mini USB
Power Input	Spring type terminal block; 3 pin
Audio In/out	Spring type terminal block; Audio in: (1 Audio in & Gnd) / Audio out: (1 Audio out & Gnd)
Alarm In/out	Spring type terminal block; Alarm in: (3 Alarm in & Gnd) / Alarm out: (1 Alarm out & COM)
RS-485	Spring type terminal block ; D+ & D-
Environmental	
Operating temperature	-20°C to +50°C
Operating humidity	90%, non-condensing
Storage temperature	-20°C to +60°C
Storage humidity	90%, non-condensing
Mechanical /	
Dimensions	72 x 63 x 122 mm
Weight	420g
IP rating	IP40

■ Details for ordering

Type	Part. No.	Designation	Weight
CCMS3039	V54561-C106-A100	1/3" 3MP IP Box Cam. DN WD LL	420g